

Float switch

For industrial applications

Model RLS-1000

WIKA data sheet LM 50.03



Applications

- Level measurement of liquids in machine building
- Control and monitoring tasks for hydraulic power packs, compressors and cooling systems

Special features

- Maximum reliability thanks to high-quality reed contacts
- Very high variety and customer-specific solutions possible
- Simple and fast installation

Description

The RLS-1000 is a robust, reliable and inexpensive float switch. Since the monitoring of levels as well as dry-run protection and overflow protection are cost-sensitive applications in the machine-building industry, a float switch is the ideal solution for many plants. The RLS-1000 reliably detects the level in vessels with water, oil, diesel or other liquids by means of a permanent magnet and frictionless reed contacts at max. 4 defined switch points and can be used in a medium temperature range from -30 to +150 °C [-22 to +302 °F].

The compact float switch is simple, convenient and fast to integrate, because it does not need to be calibrated or set during the installation. This greatly improves the ease of handling, especially in confined installation situations. Also, since its robust design makes it resistant to vibrations and shocks, maintenance costs are minimal.



Fig. left: Angular connector, float from NBR
Fig. right: Circular connector M12 x 1, float from stainless steel

Specifications

Float switch, model RLS-1000		
Measuring principle	Potential-free switching reed contacts are triggered by a magnet in the float.	
Guide tube length L	60 ... 1,500 mm [2.5 ... 59 in], other lengths on request	
Output signal	Up to 4 switch points, depending on the electrical connection: SP1, SP2, SP3, SP4	
Switching function	Alternatively normally open (NO), normally closed (NC) or change-over (SPDT) contact - on rising level	
Switch position	Specified in mm, starting from the upper sealing face (SP1 ... SP4) At the end of the guide tube \approx 45 mm [\approx 1.8 in] cannot be used for switch positions.	
Distance between switch points ¹⁾	Minimum distance SP1 to the upper sealing face: 50 mm [2.0 in] Minimum distance between the switch points: 50 mm [2.0 in], for floats with outer \varnothing = 44 mm [1.7 in], 52 mm [2.0 in] 30 mm [1.2 in], for floats with outer \varnothing = 18 mm [0.7 in], 22 mm [0.9 in], 25 mm [1.0 in], 30 mm [1.2 in] Minimum distance with 3 switch points: 80 mm [3.1 in], either between SP1 and SP2 or SP2 and SP3 Minimum distance with 4 switch points: 80 mm [3.1 in], between SP2 and SP3	
Switching power ²⁾	<p>Floats with outer diameter \varnothing D = 44 mm [1.7 in], 52 mm [2.0 in] Normally open, AC 230 V; 100 VA; 1 A; 50 ... 60 Hz normally closed: DC 230 V; 50 W; 0.5 A Change-over contact: AC 230 V; 40 VA; 1 A; 50 ... 60 Hz DC 230 V; 20 W; 0.5 A</p> <p>Floats with outer diameter \varnothing D = 18 mm [0.7 in], 22 mm [0.9 in], 25 mm [1.0 in], 30 mm [1.2 in] Normally open, AC 100 V; 10 VA; 0.5 A; 50 ... 60 Hz normally closed: DC 100 V; 10 W; 0.5 A Change-over contact: AC 100 V; 5 VA; 0.25 A; 50 ... 60 Hz DC 100 V; 5 W; 0.25 A</p>	
Accuracy	\pm 3 mm switch point accuracy incl. hysteresis, non-repeatability	
Mounting position	Vertical \pm 30°	
Process connection	<ul style="list-style-type: none"> ■ G 1/2, installation from outside ³⁾ ■ G 3/4, installation from outside ⁴⁾ ■ G 1, installation from outside ■ G 1 1/2, installation from outside ■ G 2, installation from outside ■ Flange DN 50, form B per EN 1092-1 (DIN 2527), PN 16, installation from outside ■ G 1/8, installation from inside ^{5) 6)} ■ G 1/4, installation from inside ^{5) 6)} ■ G 3/8, installation from inside ⁵⁾ ■ G 1/2, installation from inside ⁵⁾ 	
Material		
Wetted	Process connection, guide tube	Stainless steel 316Ti
	Float	See table on page 3
Non-wetted	Case	Stainless steel 316Ti
	Electrical connection	See table on page 3
Permissible temperatures		
Medium	-30 ... +80 °C [-22 ... +176 °F] -30 ... +120 °C [-22 ... +248 °F] ^{7) 9)} -30 ... +150 °C [-22 ... +302 °F] ^{8) 9)}	
Ambient	-30 ... +80 °C [-22 ... +176 °F]	
Storage	-30 ... +80 °C [-22 ... +176 °F]	

1) Smaller minimum distances on request

2) Higher switching power ratings on request

3) Only with outer diameter float \varnothing D = 18 mm [0.7 in]

4) Only with outer diameter float \varnothing D \leq 22 mm [0.9 in]

5) Only for versions with cable outlet

6) Not with 4 switch points

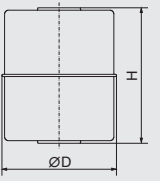
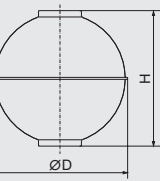
7) Not with cable material: PVC, PUR; max. 1 change-over contact or 2 normally closed/normally open contacts with float outer diameter \varnothing D \leq 30 mm [1.2 in];

not with connection housing 58 x 64 x 36 mm [2.3 x 2.5 x 1.4 in]

8) Only with cable material: Silicone or connection housing 75 x 80 x 57 mm [3.0 x 3.1 x 2.2 in]

9) Not for shipbuilding version

Electrical connections ¹⁾	Max. switch point definition	Ingress protection per IEC/EN 60529 ²⁾	Protection class	Material	Cable length
Angular connector DIN EN 175301-803 A ^{3) 4)}	<ul style="list-style-type: none"> ■ 2 NO/NC ■ 1 SPDT 	IP65	II	PA	<ul style="list-style-type: none"> ■ 2 m [6.5 ft] ■ 5 m [16.4 ft] ■ other lengths on request
Circular connector M12 x 1 (4-pin) ⁴⁾	<ul style="list-style-type: none"> ■ 3 NO/NC ■ 1 NO/NC + 1 SPDT 	IP65	II	TPU, brass	
Cable outlet ⁴⁾	<ul style="list-style-type: none"> ■ 4 NO/NC ■ 4 SPDT 	IP67	II	PVC	
Cable outlet ⁴⁾	<ul style="list-style-type: none"> ■ 4 NO/NC ■ 4 SPDT 	IP67	II	PUR	
Cable outlet ⁴⁾	<ul style="list-style-type: none"> ■ 4 NO/NC ■ 2 NO/NC + 1 SPDT 	IP67	II	Silicone	
Cable outlet "shipbuilding"	<ul style="list-style-type: none"> ■ 4 NO/NC ■ 4 SPDT 	IP67	II	Polyolefin	
Connection housing "standard" Dimensions: 75 x 80 x 57 mm [3.0 x 3.1 x 2.2 in] For cable diameter: 5 ... 10 mm [0.2 ... 0.4 in]	<ul style="list-style-type: none"> ■ 4 NO/NC ■ 4 SPDT 	IP66	I	Case from aluminium, cable gland from polyamide	-
Connection housing "compact" Dimensions: 58 x 64 x 36 mm [2.3 x 2.5 x 1.4 in] For cable diameter: 5 ... 10 mm [0.2 ... 0.4 in]	<ul style="list-style-type: none"> ■ 4 NO/NC ■ 2 NO/NC + 1 SPDT ■ 2 SPDT 	IP66	II		

Float	Form	Outer diameter Ø D	Height H	Operating pressure	Medium temperature	Density	Material
	Cylinder ^{4) 7)}	44 mm [1.7 in]	52 mm [2.0 in]	≤ 16 bar [≤ 232 psi]	-30 ... +150 °C [-22 ... +302 °F]	≥ 750 kg/m ³ [46.8 lbs/ft ³]	316Ti
	Cylinder ⁵⁾	30 mm [1.2 in]	36 mm [1.4 in]	≤ 10 bar [≤ 145 psi]	-30 ... +120 °C [-22 ... +248 °F]	≥ 850 kg/m ³ [53.1 lbs/ft ³]	316Ti
	Cylinder ^{5) 3)}	25 mm [1.0 in]	17 mm [0.7 in]	≤ 16 bar [≤ 232 psi]	-30 ... +80 °C [-22 ... +176 °F]	≥ 750 kg/m ³ [46.8 lbs/ft ³]	Buna / NBR
	Cylinder ^{4) 6) 9)}	25 mm [1.0 in]	23 mm [0.9 in]	≤ 4 bar [≤ 58.0 psi]	-25 ... +80 °C [-13 ... +176 °F]	≥ 700 kg/m ³ [43.7 lbs/ft ³]	PP
	Cylinder ^{4) 6) 9)}	25 mm [1.0 in]	23 mm [0.9 in]	≤ 4 bar [≤ 58.0 psi]	-25 ... +80 °C [-13 ... +176 °F]	≥ 750 kg/m ³ [46.8 lbs/ft ³]	PA6.6
	Cylinder ^{5) 9)}	22 mm [0.9 in]	29 mm [1.1 in]	≤ 16 bar [≤ 232 psi]	-30 ... +120 °C [-22 ... +248 °F]	≥ 850 kg/m ³ [53.1 lbs/ft ³]	316Ti
	Cylinder ^{4) 6) 9)}	18 mm [0.7 in]	32 mm [1.3 in]	≤ 16 bar [≤ 232 psi]	-30 ... +80 °C [-22 ... +176 °F]	≥ 750 kg/m ³ [46.8 lbs/ft ³]	Buna / NBR
	Sphere ^{6) 7)}	52 mm [2.0 in]	52 mm [2.0 in]	≤ 40 bar [≤ 580 psi]	-30 ... +150 °C [-22 ... +302 °F]	≥ 750 kg/m ³ [46.8 lbs/ft ³]	316Ti

1) Versions with protective conductor on request

2) The stated ingress protection (per IEC/EN 60529) only applies when plugged in using mating connectors that have the appropriate ingress protection.

3) Not with process connection G 1/2

4) Not for shipbuilding version

5) Not with process connection G 1, guide tube length L ≥ 100 mm [L ≥ 3.94 in]

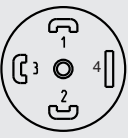
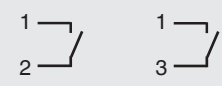
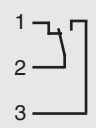
6) Guide tube length L ≤ 1,000 mm [L ≤ 39.37 in], switch points max. 3 NO/NC or 2 SPDT definable


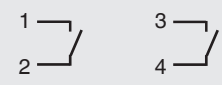
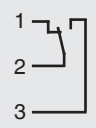
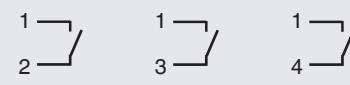
7) Not with process connection G 1, G 1 ½, guide tube length L ≥ 100 mm [L ≥ 3.94 in]

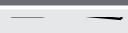

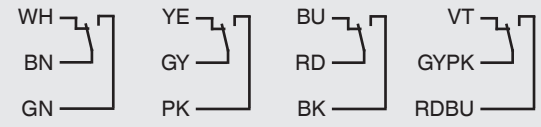
8) Not with process connection G ½

9) Not with process connection G 1 1/2, G 2, flange DN 50

Connection diagram

Angular connector DIN EN 175301-803 A		
	Normally open/normally closed (NO/NC)	Change-over contact (SPDT)
	2 switch points SP1 SP2 	1 switch point SP1 

Circular connector M12 x 1 (4-pin)		
	Normally open/normally closed (NO/NC)	Change-over contact (SPDT)
	2 switch points SP1 SP2 	1 switch points SP1 
	3 switch points SP1 SP2 SP3 	

Cable outlet ¹⁾		
	Normally open/normally closed (NO/NC)	Change-over contact (SPDT)
	4 switch points SP1 SP2 SP3 SP4 	4 switch points SP1 SP2 SP3 SP4 

1) For combinations of different switching output functions the PIN assignment is marked on the product label.

Aluminium case		
“Standard”	Normally open/normally closed (NO/NC)	Change-over contact (SPDT)
	4 switch points SP1 SP2 SP3 SP4 	4 switch points SP1 SP2 SP3 SP4
“Compact” 1)	Normally open/normally closed (NO/NC)	Change-over contact (SPDT)
	2 switch points SP1 SP2 3 switch points SP1 SP2 SP3 4 switch points SP1 SP2 SP3 SP4 	2 switch points SP1 SP2

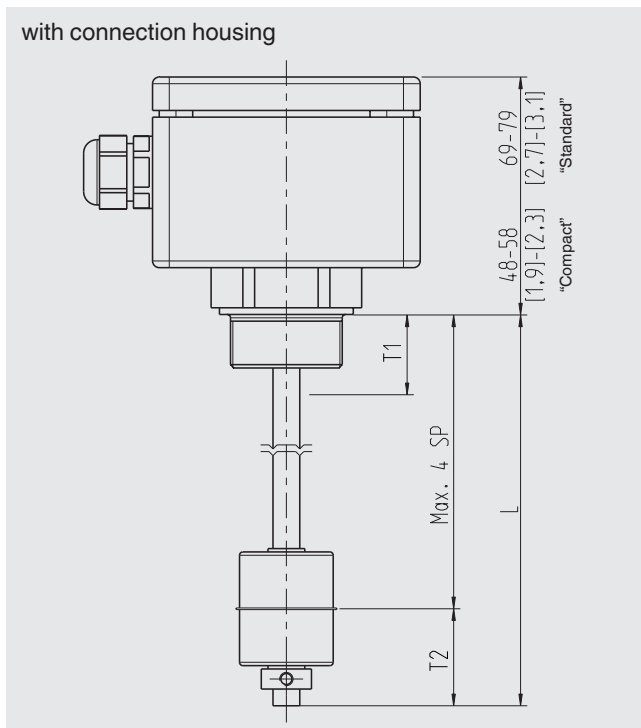
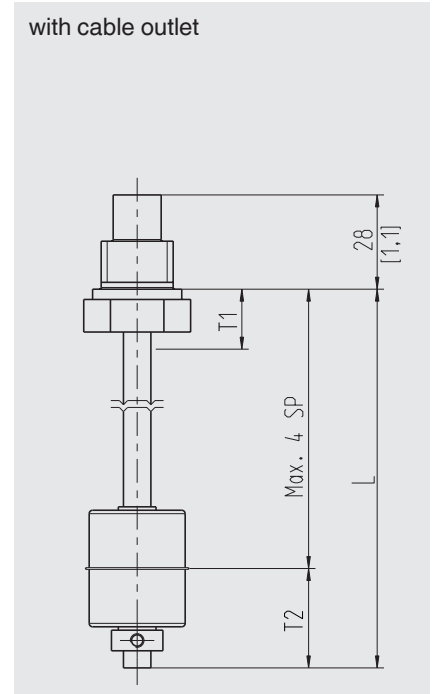
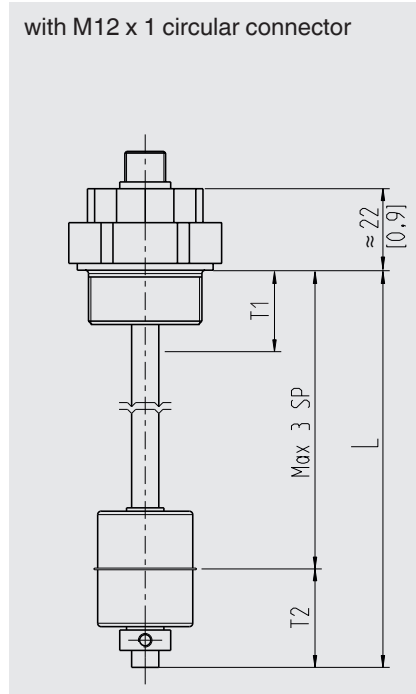
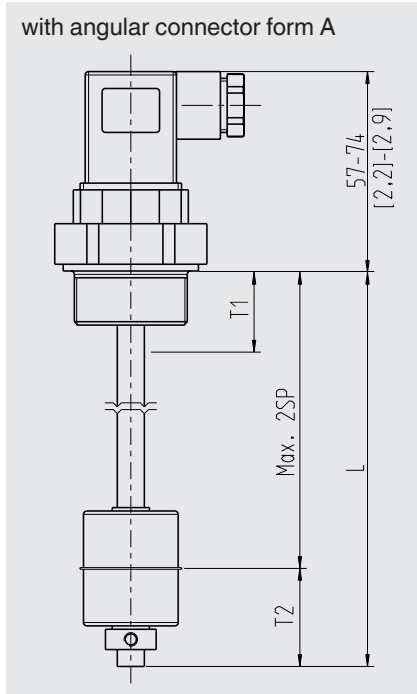
1) For combinations of different switching output functions the PIN assignment is marked on the product label.

Legend

SP1 - SP4	Switch points
WH	White
BN	Brown
GN	Green
YE	Yellow
GY	Grey
PK	Pink
BU	Blue
RD	Red
BK	Black
VT	Violet
GYPK	Grey/Pink
RDBU	Red/Blue

Electrical safety	
Insulation voltage	DC 2,120 V

Dimensions in mm [in]



Legend

- L Guide tube length
- T1 Dead band (from sealing edge)
- T2 Dead band (pipe end)

Float stop

- Adjusting collar, for medium temperature ≤ 120 °C [≤ 248 °F]
- Pipe clamp, for medium temperature > 120 °C [> 248 °F]
and shipbuilding versions
- Retaining ring

Dead band T1 float switch in mm [in] (from sealing edge)

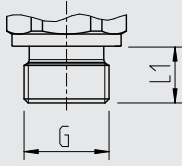
Process connection	Dead band in mm						
Outer diameter float Ø D	Ø 18 mm [0.7 in]	Ø 22 mm [0.9 in]	Ø 25 mm [1.0 in]	Ø 25 mm [1.0 in]	Ø 30 mm [1.2 in]	Ø 44 mm [1.7 in]	Ø 52 mm [2.0 in]
Float height H	H 32 mm [1.3 in]	H 29 mm [1.1 in]	H 17 mm [0.7 in]	H 23 mm [0.9 in]	H 36 mm [1.4 in]	H 52 mm [2.0 in]	H 52 mm [2.0 in]
G 1/2 (from outside)	35 mm [1.4 in]	-	-	-	-	-	-
G 3/4 (from outside)	35 mm [1.4 in]	35 mm [1.4 in]	-	-	-	-	-
G 1 (from outside)	35 mm [1.4 in]	35 mm [1.4 in]	25 mm [1.0 in]	35 mm [1.4 in]	35 mm [1.4 in]	-	-
G 1 ½ (from outside)	-	-	25 mm [1.0 in]	-	35 mm [1.4 in]	45 mm [1.8 in]	-
G 2 (from outside)	-	-	25 mm [1.0 in]	-	40 mm [1.6 in]	50 mm [2.0 in]	50 mm [2.0 in]
Flange (from outside)	-	-	5 mm [0.2 in]	-	20 mm [0.8 in]	30 mm [1.2 in]	30 mm [1.2 in]
G ⅛ B (from inside)	15 mm [0.6 in]	20 mm [0.8 in]	15 mm [0.6 in]	20 mm [0.8 in]	30 mm [1.2 in]	-	-
G ¼ B (from inside)	20 mm [0.8 in]	25 mm [1.0 in]	20 mm [0.8 in]	25 mm [1.0 in]	35 mm [1.4 in]	40 mm [1.6 in]	40 mm [1.6 in]
G ⅜ B (from inside)	20 mm [0.8 in]	25 mm [1.0 in]	20 mm [0.8 in]	25 mm [1.0 in]	35 mm [1.4 in]	40 mm [1.6 in]	40 mm [1.6 in]
G ½ B (from inside)	20 mm [0.8 in]	25 mm [1.0 in]	20 mm [0.8 in]	25 mm [1.0 in]	35 mm [1.4 in]	45 mm [1.8 in]	45 mm [1.8 in]

Dead band T2 in mm [in] (pipe end)

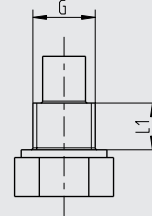
Dead band in mm							
Outer diameter float Ø D	Ø 18 mm [0.7 in]	Ø 22 mm [0.9 in]	Ø 25 mm [1.0 in]	Ø 25 mm [1.0 in]	Ø 30 mm [1.2 in]	Ø 44 mm [1.7 in]	Ø 52 mm [2.0 in]
Float height H	H 32 mm [1.3 in]	H 29 mm [1.1 in]	H 17 mm [0.7 in]	H 23 mm [0.9 in]	H 36 mm [1.4 in]	H 52 mm [2.0 in]	H 52 mm [2.0 in]
T2	30 mm [1.2 in]	30 mm [1.2 in]	30 mm [1.2 in]	25 mm [1.0 in]	35 mm [1.4 in]	45 mm [1.8 in]	45 mm [1.8 in]

Process connection

Installation from outside



Installation from inside

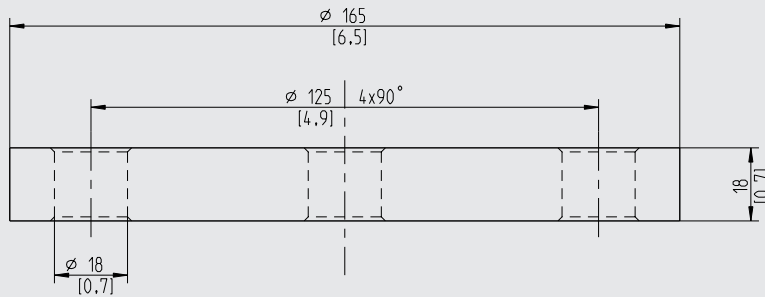


G	L ₁	Spanner width
G 1/2	15 mm [0.59 in]	27 mm [1.1 in]
G 3/4	15 mm [0.59 in]	31 mm [1.2 in]
G 1	16 mm [0.63 in]	41 mm [1.6 in]
G 1 1/2	18 mm [0.71 in]	30 mm [1.2 in]
G 2	20 mm [0.79 in]	36 mm [1.4 in]

G	L ₁	Spanner width
G 1/8 B	12 mm [0.47 in]	14 mm [0.5 in]
G 1/4 B	12 mm [0.47 in]	19 mm [0.7 in]
G 3/8 B	12 mm [0.47 in]	22 mm [0.9 in]
G 1/2 B	14 mm [0.55 in]	27 mm [1.1 in]

Flange

DN 50, form B per EN 1092-1 (DIN 2527), PN 16



Accessories

Circular connector M12 x 1 with moulded cable

	Description	Temperature range	Cable diameter	Cable length	Order number
	Straight version, cut to length, 4-pin, PUR cable, UL listed, IP67	-20 ... +80 °C [-4 ... +176 °F]	4.5 mm [0.18 in]	2 m [6.6 ft]	14086880
				5 m [16.4 ft]	14086883
				10 m [32.8 ft]	14086884
	Angled version, cut to length, 4-pin, PUR cable, UL listed, IP67	-20 ... +80 °C [-4 ... +176 °F]	4.5 mm [0.18 in]	2 m [6.6 ft]	14086889
				5 m [16.4 ft]	14086891
				10 m [32.8 ft]	14086892

Approvals

Logo	Description	Country
	EU declaration of conformity <ul style="list-style-type: none">■ Low voltage directive■ RoHS directive	European Union
	DNV GL (option) ¹⁾ Ships, shipbuilding (e.g. offshore)	International

1) Only for shipbuilding version

Manufacturer's information and certificates

Logo	Description
-	China RoHS directive

Approvals and certificates, see website

Ordering information

Model / Output signal / Switching function / Switch point position / Electrical connection / Process connection / Guide tube length L / Medium temperature / Float

© 01/2017 WIKA Alexander Wiegand SE & Co. KG, all rights reserved.
The specifications given in this document represent the state of engineering at the time of publishing.
We reserve the right to make modifications to the specifications and materials.

