

Thermomanometer for pressure and temperature measurement Model MFT

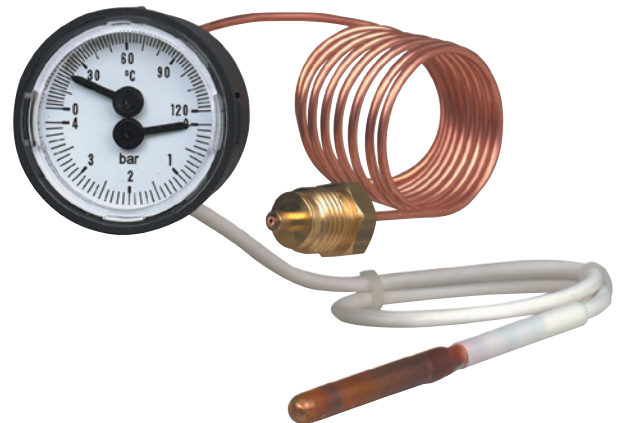
WIKA data sheet PM 01.20

Applications

- Heating systems
- Combi-boilers with hot water and heating

Special features

- Combined indication for pressure and temperature
- With capillaries
- Scale range 0 ... 4 bar, 0 ... 120 °C
- Reliable and cost-effective



Thermomanometer model MFT.30.040

Description

Nominal size in mm
40, 42, 52

Working ranges

- Pressure: Steady: 3/4 x full scale value
Short time: Full scale value
- Temperature: Full scale value

Measuring elements

Bourdon tube, Cu-alloy

Connection

Cu-alloy, back mount (BM)

- Pressure: Male thread G 1/4 B (rotatable) with capillary
- Temperature: Capillary, with sensor D6, plastic covered

Case

Plastic, black, with front flange and lateral snap-fit provisions for panel mounting

Movement (pressure indication)
Cu-alloy

Dial
Plastic, white, black lettering

Pointer
Plastic, black

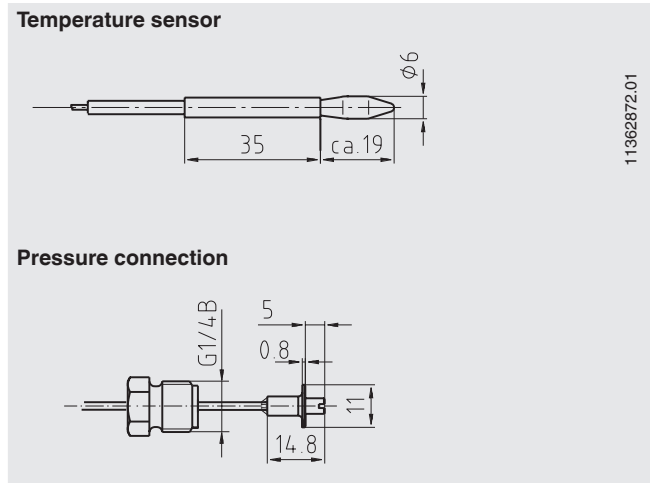
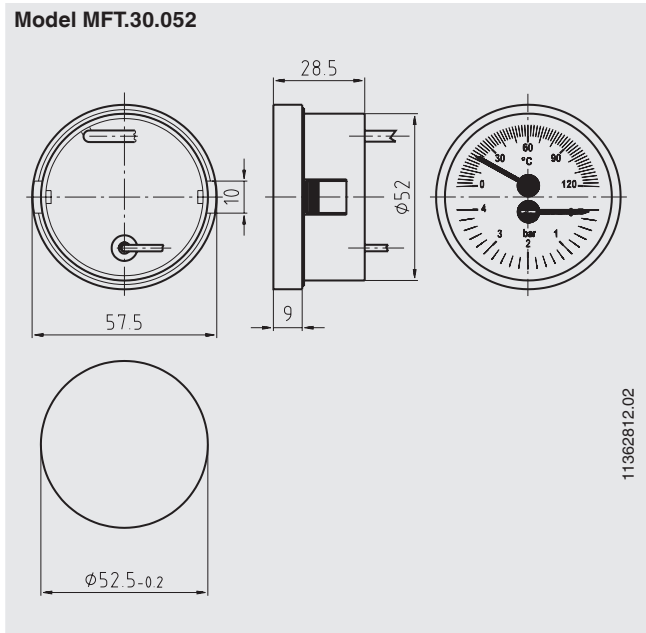
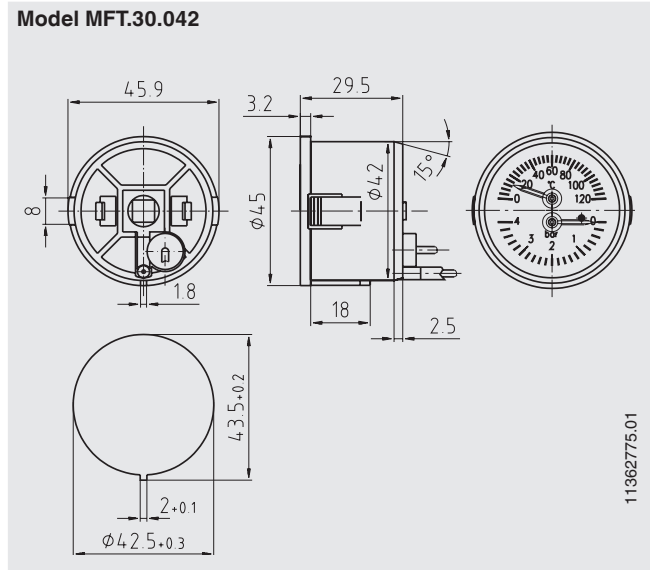
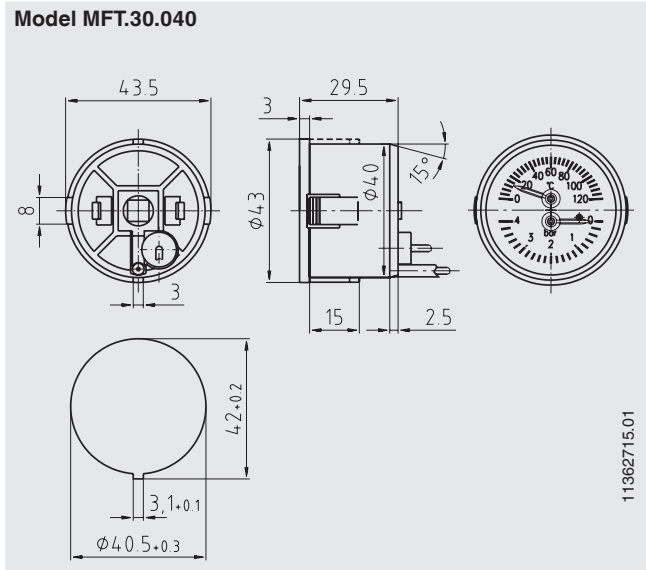
Window
Plastic, crystal-clear

Options

- Other scale ranges
- Capillary lengths (pressure, temperature), max. 5 m
- Capillary (pressure) plastic covered
- Other temperature sensor dimensions
- Other pressure connections
- Special scales

Dimensions in mm

Standard version



Ordering information

Model / Nominal size / Scale range / Connection / Capillary lengths / Options

© 2008 WIKA Alexander Wiegand SE & Co. KG, all rights reserved.
The specifications given in this document represent the state of engineering at the time of publishing.
We reserve the right to make modifications to the specifications and materials.



WIKAL Alexander Wiegand SE & Co. KG
Alexander-Wiegand-Straße 30
63911 Klingenberg/Germany
Tel. (+49) 9372/132-0
Fax (+49) 9372/132-406
E-mail info@wika.de
www.wika.de