

# Capsule pressure gauge, copper alloy

## Plastic case

### Model 611.16

WIKA data sheet PM 06.08



for further approvals  
see page 3

## Applications

For gaseous, dry and non-aggressive media

## Special features

- Nominal size 68 mm
- Plastic case with front flange
- Low scale ranges from 0 ... 25 mbar
- Zero point setting in front



Capsule pressure gauge model 611.16

## Description

The model 611.16 capsule pressure gauges are based upon the proven capsule measuring system. On pressurisation, the expansion of the capsule element, proportional to the incident pressure, is transmitted to the movement and indicated.

The case is made from black plastic, with a snap-fitted window. Wetted parts such as process connection and pressure element are designed with copper alloys.

The modular design enables a multitude of combinations of process connections and scale ranges. Due to this high variance, the instrument is suitable for use in a wide range of applications within industry.

For mounting in control panels, the capsule pressure gauge can, depending on the process connection, be fitted with a mounting bracket.

## Standard version

### Design

Following 837-3

### Nominal size in mm

68

### Accuracy class

1.6

### Scale ranges

0 ... 25 mbar to 0 ... 600 mbar

or all other equivalent vacuum or combined pressure and vacuum ranges

### Pressure limitation

Steady: Full scale value

Fluctuating: 0.9 x full scale value

### Permissible temperature

Ambient: -20 ... +60 °C (-4 ... +140 °F)

Medium: ≤ 60 °C (≤ 140 °F)

### Temperature effect

When the temperature at the measuring system deviates from the reference temperature +20 °C (+68 °F): max. ±0.6 %/10 K of full scale value

### Ingress protection per IEC/EN 60529

IP32

### Process connection

Copper alloy

Lower mount (radial) or centre back mount

¼" NPT (male), SW 14

### Pressure element

Copper alloy

### Movement

Copper alloy

### Zero point setting

In front

### Dial

Aluminium, white, black lettering

### Pointer

Aluminium, black

### Case

Plastic, black, with front flange

### Window

Plastic, transparent, snap-fitted window

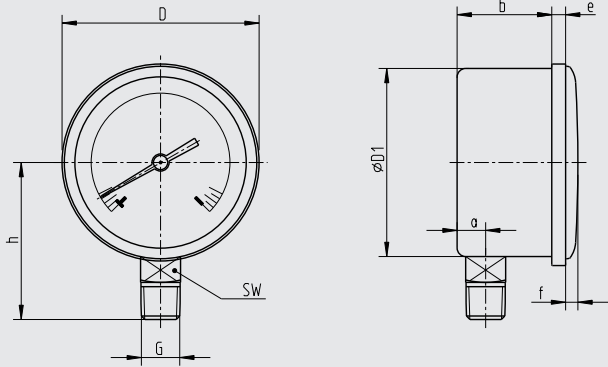
## Options

- Other process connections
- Overload or vacuum safety with
  - scale ranges < 40 mbar: 3 x full scale value
  - scale ranges ≥ 40 mbar: 10 x full scale value
- Mounting bracket, galvanised steel
- Drag pointer for scale ranges from 0 ... 60 mbar

# Dimensions

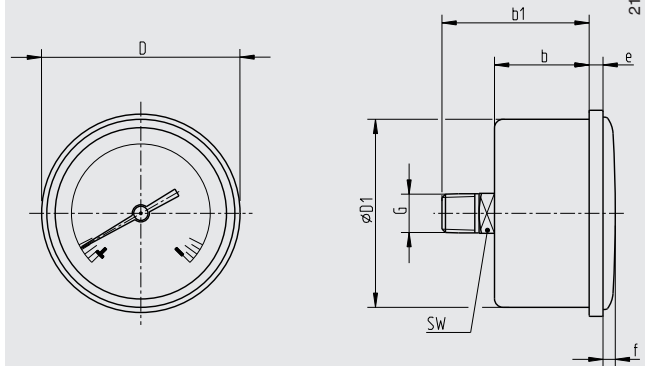
Lower mount (radial)

2147875.01



Centre back mount

2147327.01






NS	Dimensions in mm										Weight in kg
	a	b	b <sub>1</sub>	D	D <sub>1</sub>	G	h ± 1	e	f	SW <sup>2)</sup>	
68	10	33	51.5	69 <sup>1)</sup>	66	¼ NPT	55	4.9	4.3	14	0.14

NS	Dimensions in inch										Weight in lbs
	a	b	b <sub>1</sub>	D	D <sub>1</sub>	G	h ± 1	e	f	SW <sup>2)</sup>	
2.677	0.393	1.299	2.028	2.717 <sup>1)</sup>	2.598	¼ NPT	2.165	1.929	1.693	0.551	0.31

1) for built-in instrument with mounting bracket, D = 72 mm (2.83 in)  
 2) SW = spanner width

Process connection per EN 837-3 / 7.3

## Approvals

Logo	Description	Country
	<b>GOST</b> Metrology, measurement technology	Russia
	<b>BelGIM</b> Metrology, measurement technology	Belarus
	<b>UkrSEPRO</b> Metrology, measurement technology	Ukraine

## Certificates (option)

- 2.2 test report

Approvals and certificates, see website

## Ordering information

Model / Scale range / Process connection / Options

© 11/2000 WIKA Alexander Wiegand SE & Co. KG, all rights reserved.  
The specifications given in this document represent the state of engineering at the time of publishing.  
We reserve the right to make modifications to the specifications and materials.

