

OBSOLETE

Operating instructions
Betriebsanleitung
Mode d'emploi
Manual de instrucciones

Pneumatic hand test pump, model CPP7-H

EN

Pneumatische Handprüfpumpe, Typ CPP7-H

DE

Pompe à main pneumatique, type CPP7-H

FR

Bomba de prueba manual neumática, modelo CPP7-H

ES



Pneumatic hand test pump, model CPP7-H

WIKAI

Part of your business

EN	Operating instructions model CPP7-H	Page	3 - 26
DE	Betriebsanleitung Typ CPP7-H	Seite	27 - 50
FR	Mode d'emploi type CPP7-H	Page	51 - 74
ES	Manual de instrucciones modelo CPP7-H	Página	75 - 98
Further languages can be found at www.wika.com.			

© 08/2018 WIKA Alexander Wiegand SE & Co. KG
All rights reserved. / Alle Rechte vorbehalten.
WIKA® is a registered trademark in various countries.
WIKA® ist eine geschützte Marke in verschiedenen Ländern.

Prior to starting any work, read the operating instructions!
Keep for later use!

Vor Beginn aller Arbeiten Betriebsanleitung lesen!
Zum späteren Gebrauch aufbewahren!

Lire le mode d'emploi avant de commencer toute opération !
A conserver pour une utilisation ultérieure !

¡Leer el manual de instrucciones antes de comenzar cualquier trabajo!
¡Guardar el manual para una eventual consulta!

Contents

1. General information	4
2. Design and function	5
2.1 Overview	5
2.2 Description	5
3. Safety	6
3.1 Explanation of symbols	6
3.2 Scope of delivery	6
3.3 Intended use	7
3.4 Improper use	7
3.5 Personnel qualification	8
3.6 Labelling, safety marks	8
4. Transport, packaging and storage	9
4.1 Transport	9
4.2 Packaging and storage	9
5. Commissioning, operation	10
5.1 Unpacking the hand test pump	10
5.2 Ambient conditions	10
5.3 Design	10
5.4 Mechanical mounting	11
5.5 Pressure generation	12
5.6 Reducing pressure	13
5.7 Vacuum generation	13
5.8 Reducing the vacuum	14
5.9 Recommended reference pressure measuring instruments	14
5.10 Use with WIKA-Cal calibration software	15
5.11 Calibration case available	16
6. Faults	16
7. Maintenance and cleaning	18
7.1 Maintenance	18
7.1.1 Maintenance of the non-return valve (inlet)	18
7.1.2 Maintenance of the non-return valve (outlet)	20
7.2 Cleaning	22
8. Dismounting, return and disposal	22
8.1 Dismounting	22
8.2 Return	23
8.3 Disposal	23
9. Specifications	24
10. Accessories	26

1. General information

1. General information

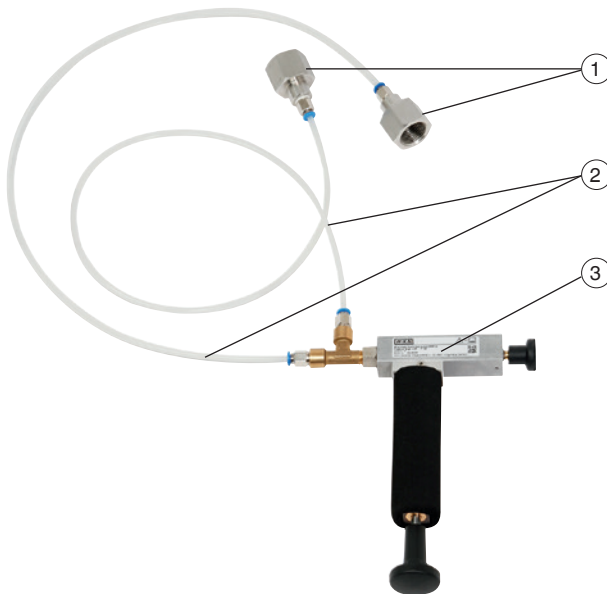
EN

- The model CPP7-H pneumatic hand test pump described in these operating instructions has been designed and manufactured using state-of-the-art technology. All components are subject to stringent quality and environmental criteria during production. Our management systems are certified to ISO 9001 and ISO 14001.
- These operating instructions contain important information on handling the instrument. Working safely requires that all safety instructions and work instructions are observed.
- Observe the relevant local accident prevention regulations and general safety regulations for the instrument's range of use.
- The operating instructions are part of the product and must be kept in the immediate vicinity of the instrument and readily accessible to skilled personnel at any time. Pass the operating instructions on to the next operator or owner of the instrument.
- Skilled personnel must have carefully read and understood the operating instructions prior to beginning any work.
- The general terms and conditions contained in the sales documentation shall apply.
- Subject to technical modifications.
- Further information:
 - Internet address: www.wika.de / www.wika.com
 - Relevant data sheet: CT 91.02
 - Application consultant: Tel.: +49 9372 132-0
Fax: +49 9372 132-406
info@wika.com

2. Design and function

2. Design and function

2.1 Overview



- ① Pressure connections
- ② Connecting hoses
- ③ Hand test pump

2.2 Description

The model CPP7-H pneumatic hand test pump is used to generate pressure for testing, adjustment and calibration of mechanical and electronic pressure measuring instruments through comparative measurements in the low pressure range. These pressure tests may be carried out in the laboratory, workshop, or on site at the measuring point.

If the instrument to be tested and a sufficiently accurate reference measuring instrument are connected to the hand test pump model CPP7-H, the same pressure is applied to the two measuring instruments when the pump is operated. By comparing the two measured values at any given pressure value, the accuracy can be verified or the instrument under test can be adjusted. To approach the measuring points exactly, the fine adjustment valve of the CPP7-H can be used.

2. Design and function / 3. Safety

The CPP7-H is a pneumatic hand test pump for low-pressure ranges up to +7 bar (+101.5 psi), with switching to vacuum generation down to -0.85 bar (-12.3 psi). The CPP7-H, despite its very compact dimensions, enables simple and accurate pressure generation.

EN

The maximum pressure or vacuum achievable is dependent upon the connected test volume. Through the smooth pressure generation and the integrated fine adjustment valve, very small positive or negative pressures can be set safely and precisely.

Via the T-connector and the connecting hose, the test item and the reference instrument can be easily connected.

2.3 Scope of delivery

- Hand test pump model CPP7-H
- T-connector
- 4 hose connection adapters
- 2 connecting hoses; each 0.5 m long (1.64 ft)
- Selectable connection adapter (G ½, G ¼, ½ NPT or ¼ NPT)
- PTFE sealing tape

Cross-check scope of delivery with delivery note.

3. Safety

3.1 Explanation of symbols



WARNING!

... indicates a potentially dangerous situation that can result in serious injury or death, if not avoided.



CAUTION!

... indicates a potentially dangerous situation that can result in light injuries or damage to property or the environment, if not avoided.



Information

... points out useful tips, recommendations and information for efficient and trouble-free operation.

3.2 Intended use

The model CPP7-H pneumatic hand test pump is used to generate pressure for testing, adjustment and calibration of mechanical and electronic pressure measuring instruments through comparative measurements in the low pressure range. These pressure tests may be carried out in the laboratory, workshop, or on site at the measuring point. This hand test pump has been specifically developed for the generation of pressures on site.

The CPP7-H, despite its very compact dimensions, enables simple and accurate pressure generation of -0.85 bar ... +7 bar (-12.3 ... +101.5 psi) with switching from vacuum generation to low pressure range.

This instrument is not permitted to be used in hazardous areas!

The instrument has been designed and built solely for the intended use described here, and may only be used accordingly.

The technical specifications contained in these operating instructions must be observed. Improper handling or operation of the instrument outside of its technical specifications requires the instrument to be taken out of service immediately and inspected by an authorised WIKA service engineer.

Handle the instrument with the required care (protect from humidity, impacts, strong magnetic fields, static electricity and extreme temperatures, do not insert any objects into the instrument or its openings). Plugs and sockets must be protected from contamination.

The manufacturer shall not be liable for claims of any type based on operation contrary to the intended use.

3.3 Improper use



WARNING!

Injuries through improper use

Improper use of the instrument can lead to hazardous situations and injuries.

- ▶ Refrain from unauthorised modifications to the instrument.
- ▶ Do not use the instrument within hazardous areas.
- ▶ Do not use the instrument with abrasive or viscous media.
- ▶ No external pressure loading.

Any use beyond or different to the intended use is considered as improper use.

3. Safety

3.4 Personnel qualification

EN



WARNING!

Risk of injury should qualification be insufficient

Improper handling can result in considerable injury and damage to equipment.

- ▶ The activities described in these operating instructions may only be carried out by skilled personnel who have the qualifications described below.

Skilled personnel

Skilled personnel, authorised by the operator, are understood to be personnel who, based on their technical training, knowledge of measurement and control technology and on their experience and knowledge of country-specific regulations, current standards and directives, are capable of carrying out the work described and independently recognising potential hazards.

3.5 Labelling, safety marks

Product label

The product label is attached to the pump body.



Symbols



Before mounting and commissioning the instrument, ensure you read the operating instructions!

4. Transport, packaging and storage

4. Transport, packaging and storage

4.1 Transport

Check the pneumatic hand test pump for any damage that may have been caused during transport.

Obvious damage must be reported immediately.



CAUTION!

Damage through improper transport

With improper transport, a high level of damage to property can occur.

- ▶ When unloading packed goods upon delivery as well as during internal transport, proceed carefully and observe the symbols on the packaging.
- ▶ With internal transport, observe the instructions in chapter 4.2 "Packaging and storage".

If the instrument is transported from a cold into a warm environment, the formation of condensation may result in instrument malfunction. Before putting it back into operation, wait for the instrument temperature and the room temperature to equalise.

4.2 Packaging and storage

Keep the packaging as it will provide optimum protection during transport (e.g. change in installation site, sending for repair).

Permissible conditions at the place of storage:

- Storage temperature: 0 ... 55 °C (32 ... 131 °F)
- Humidity: 35 ... 85 % relative humidity (non-condensing)

Avoid exposure to the following factors:

- Direct sunlight or proximity to hot objects
- Mechanical vibration, mechanical shock (putting it down hard)
- Soot, vapour, dust and corrosive gases
- Hazardous environments, flammable atmospheres

Store the hand test pump in its original packaging in a location that fulfils the conditions listed above. If the original packaging is not available, pack and store the instrument as described below:

1. Place the instrument, along with the shock-absorbent material, in the packaging.
2. If stored for a prolonged period of time (more than 30 days), place a bag containing a desiccant inside the packaging.

5. Commissioning, operation

5. Commissioning, operation

Personnel: Skilled personnel

Tools: Torque spanner

EN

Only use original parts (see chapter 10 “Accessories”).

5.1 Unpacking the hand test pump

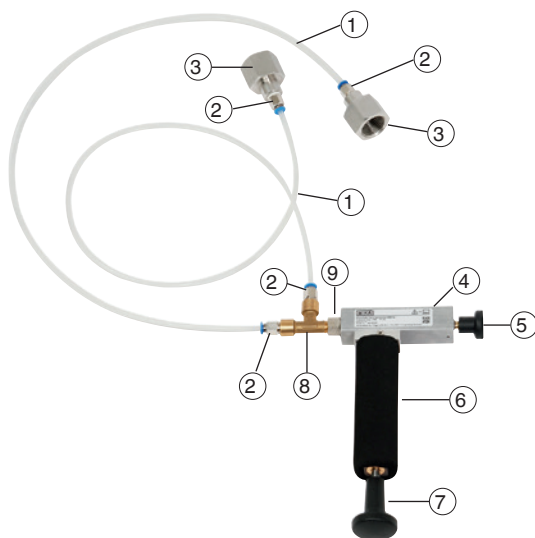
As soon as possible after delivery open the packaging of the hand test pump and check that all the items detailed in the packing list (see chapter 2.3 “Scope of delivery”) are included.

Unpacking the items, check them for any damage that may have been caused by transport. If any items are missing, please contact WIKA immediately.

5.2 Ambient conditions

The pressure tests may be carried out in the laboratory, workshop, or on site at the measuring point.

5.3 Design



- ① Connecting hose; length 0.5 m (1.64 ft)
- ② Hose connection adapter G $\frac{1}{8}$ male to 4 mm quick connector
- ③ Pressure adapters for reference pressure measuring instrument and test item can be freely selected (see chapter 10 “Accessories”)

5. Commissioning, operation

EN

- ④ Pump body
- ⑤ Fine adjustment valve
- ⑥ Pump handle
- ⑦ Ram
- ⑧ T-connector, 2 x G 1/8 female to G 1/8 male
- ⑨ Pressure connection for T-connector

5.4 Mechanical mounting



WARNING!

Damage to the hand test pump due to external pressure

To prevent this, the following must be ensured.

- ▶ Do not connect any external pressure sources to the pump.
- ▶ Generate pressure only using the hand test pump.



CAUTION!

Damage to the hand test pump due to contamination

Contaminants of any kind (oil, grease, water ...) that adhere to the test item will find their way into the pump and damage it.

- ▶ Clean the pressure connection hose.
- ▶ Clean the connections.
- ▶ Clean the test item before mounting.



Use the PTFE sealing band for the connection of the different connection adapters and pressure fittings.

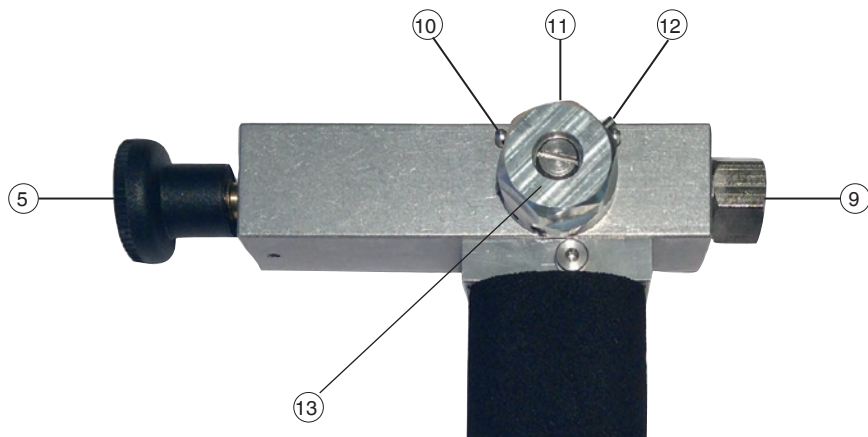
This will avoid loss of pressure or leakage.

1. Mount the T-connector (⑧) onto the G 1/8 (⑨) female thread of the pump body (④).
2. Connect both connecting hoses as follows:
 - ▶ Mount one end of the hose with its hose connection adapter (②) to the G 1/8 female of the T-connector (⑧).
 - ▶ Mount the other end of the hose with its hose connection adapter (②) to the pressure adapter (③).⇒ Both hoses must be fitted.
3. Fit the reference pressure measuring instrument and also the test item to each of the pressure adapters (③).
 - ▶ To seal, use the seals that were included in the scope of supply.
 - ▶ Securely tighten the connection in order to avoid any leakage.
 - ▶ Tighten the connections to a maximum torque of 15 Nm.

5. Commissioning, operation

5.5 Pressure generation

EN



- ⑤ Fine adjustment valve
- ⑨ Pressure connection for T-connector
- ⑩ **Switch setting**
VACUUM = Vacuum
- ⑪ **Switch setting**
VENT = Vent
- ⑫ **Switch setting**
PRESSURE = Pressure
- ⑬ Pressure relief and switching valve for pressure and vacuum generation



CAUTION!

Damage of the test item caused by too high pressure

The test item and reference pressure measuring instrument with pressure ranges < 7 bar (< 101.5 psi) can be damaged through the pressure generation.

- ▶ Do not exceed the maximum pressure limit of the test item or reference pressure measuring instrument.
- ▶ Only generate a pre-pressure that is less than the required pressure.
- ▶ Use the fine adjustment valve to reach the exact required pressure.

Before using the hand test pump, check:

- The reference pressure measuring instrument is connected with the connection hose to the pressure pump.
- The test item is connected with the connection hose to the pressure pump.
- All pressure connections are correctly fitted and tightened.

5. Commissioning, operation



Due to the small stroke of the hand test pump, test only test items with small volumes.

1. Turn the pressure relief and switching valve (13) to the “VENT” setting.
2. Turn the fine adjustment valve (5) anticlockwise, until a slight stops is felt.
3. Turn the pressure relief and switching valve (13) to the “PRESSURE” setting.
4. Use the ram (7) to pump until the desired pressure is approximately achieved.
5. Use the fine adjustment valve, (5) until the desired pressure is reached exactly; max. +7 bar (+101.5 psi)
 - ⇒ Turn clockwise in order to increase the pressure.
 - ⇒ Turn anticlockwise in order to reduce the pressure.



After increasing the pressure, the value displayed can drop slightly again for about 30 seconds.

The causes can be thermodynamic effects, the hose connection and the sealings.

Readjust the pressure using the fine adjustment valve (5). If the pressure still drop, check the measuring circuit for leaks.

5.6 Reducing pressure

1. Turn the pressure relief and switching valve (13) carefully to the “VENT” setting, until the desired pressure is approximately achieved.
2. Turn the pressure relief and switching valve (13) back to the “PRESSURE” setting.
3. Turn the fine adjustment valve (5) until the desired pressure is reached.
 - ⇒ Turn clockwise in order to increase the pressure.
 - ⇒ Turn anticlockwise in order to reduce the pressure.

5.7 Vacuum generation

1. Turn the pressure relief and switching valve (13) to the “VENT” setting.
2. Turn the fine adjustment valve (5) clockwise, until a slight stops is felt.
3. Turn the pressure relief and switching valve (13) to the “VACUUM” setting.
4. Use the ram (7) to pump until the desired vacuum is approximately achieved.
5. Use the fine adjustment valve, (5) until the desired vacuum is reached exactly, max. -0.85 bar (-12.3 psi).
 - ⇒ Turn clockwise in order to reduce the vacuum.
 - ⇒ Turn anticlockwise in order to increase the vacuum.



After increasing the vacuum, the value displayed can rise slightly again for about 30 seconds.

The causes can be thermodynamic effects, the hose connection and the sealings.

Readjust the pressure using the fine adjustment valve (5). If the pressure still rise, check the measuring circuit for leaks.

5. Commissioning, operation

5.8 Reducing the vacuum

1. Turn the pressure relief and switching valve (13) carefully to the "VENT" setting, until the vacuum is approximately achieved.
2. Turn the pressure relief and switching valve (13) back to the "VACUUM" setting.
3. Turn the fine adjustment valve (5) until the desired vacuum is reached.
 - ⇒ Turn clockwise in order to reduce the pressure.
 - ⇒ Turn anticlockwise in order to increase the pressure.

5.9 Recommended reference pressure measuring instruments

Precision digital pressure gauge model CPG1500

Measuring ranges to 10,000 bar (150,000 psi)

Accuracy to 0.025 % of span

For further specifications see data sheet CT 10.51



Hand-held pressure indicator model CPH6200

Measuring ranges to 1,000 bar (14,500 psi)

Accuracy to 0.1 % of span

For further specifications see data sheet CT 11.01



Hand-held pressure indicator model CPH6300

Measuring ranges to 1,000 bar (14,500 psi)

Accuracy to 0.1 % of span

For further specifications see data sheet CT 12.01



5. Commissioning, operation

Precision hand-held pressure indicator model CPH6400

Measuring ranges to 6,000 bar (85,000 psi)

Accuracy to 0.025 % of span

For further specifications see data sheet CT 14.01



EN

Process calibrator model CPH6000

Measuring ranges to 6,000 bar (85,000 psi)

Accuracy to 0.025 % of span

For further specifications see data sheet CT 15.01



5.10 Use with WIKA-Cal calibration software

WIKA-Cal calibration software for creating calibration certificates or logger protocols

For specifications see data sheet CT 95.10



5. Commissioning, operation / 6. Faults

5.11 Calibration case available

Consisting of:

- Plastic service case with foam insert
- Pneumatic hand test pump model CPP7-H
- Standard accessories see scope of delivery, see chapter 2.3 “Scope of delivery”.

6. Faults

Personnel: Skilled personnel

Tools: Torque spanner



WARNING!

Damage to the hand test pump due to external pressure

To prevent this, the following must be ensured.

- ▶ Do not connect any external pressure sources to the pump.
- ▶ Generate pressure only using the hand test pump.



CAUTION!

Physical injuries and damage to property and the environment

If faults cannot be eliminated by means of the listed measures, the hand test pump must be taken out of operation immediately.

- ▶ Ensure that there is no longer any pressure present and protect against being put into operation accidentally.
- ▶ Contact the manufacturer.
- ▶ If a return is needed, please follow the instructions given in chapter 8.2 “Return”.



For contact details see chapter 1 “General information” or the back page of the operating instructions.

Faults	Causes	Measures
The hand test pump works sluggishly	The hand test pump has not been used for a long time	The first stroke is sluggish. This effect has disappeared after further operation.
Instable output pressure or vacuum	Incorrect sealing	Insert the correct sealing
	Incorrectly seated sealing	Position the sealing correctly

6. Faults

EN

Faults	Causes	Measures
Instable output pressure or vacuum	Sealing is defective	Replace the sealing
	Incorrect adapter or the adapter has not been mounted properly	Check the used adapter and mount it properly
	If unable to locate a cause	Return the hand test pump for checking
	Non-return valve (outlet) contaminated	Perform maintenance. (see chapter 7.1.2 "Maintenance of the non-return valve (outlet)")
Instable output pressure	Pressure relief and switching valve open	Turn the valve to the "PRESSURE" setting and try once more
Unstable vacuum	Pressure relief and switching valve open	Turn the valve to the "VACUUM" setting and try once more
System provides pressure but pressure drops down to zero.	Pressure relief and switching valve open	Turn the valve to the "PRESSURE" setting and try once more
	Incorrect operating procedure being used	Ensure that correct operating procedure is being followed (see chapter 5.5 "Pressure generation")
	If unable to locate a cause	Return the hand test pump for checking
System provides pressure but pressure drops down to lower value then remains stable.	If unable to locate a cause	Return the hand test pump for checking
	Internal damage	Return the hand test pump for checking
	Incorrect operating procedure being used	Ensure that correct operating procedure is being followed (see chapter 5.5 "Pressure generation")

7. Maintenance and cleaning

7. Maintenance and cleaning

Personnel: Skilled personnel

Tools: Torque spanner, tweezers, 2 mm hexagon wrench

EN



WARNING!

Physical injuries and damage to property and the environment through residual media

During maintenance or cleaning, there is a danger from high pressures.

- ▶ Maintain or clean the measuring assembly/test and calibration installations once the system has been depressurised.
- ▶ Open the pressure relief and switching valve (13) until there is no more pressure in the test pump.



For contact details see chapter 1 “General information” or the back page of the operating instructions.

7.1 Maintenance

Only use original parts (see chapter 10 “Accessories”).



CAUTION!

Physical injuries and damage to property and the environment

If faults cannot be eliminated by means of the listed measures, the hand test pump must be taken out of operation immediately.

- ▶ Ensure that there is no longer any pressure present and protect against being put into operation accidentally.
- ▶ Contact the manufacturer.
- ▶ If a return is needed, please follow the instructions given in chapter 8.2 “Return”.

Before adapting the reference pressure measuring instrument and the test item, check the sealings in the two connections for correct seating and wear.

⇒ Replace the sealings, if necessary.

7.1.1 Maintenance of the non-return valve (inlet)

Should no, or very little pressure, be able to build up, the O-ring on the inlet non-return valve at the rear of the pump may be worn or dirty.



Even small impurities on the O-ring can cause leakage at low pressures.

7. Maintenance and cleaning

To replace/clean the O-ring at the rear, proceed as follows:

1. Open the screw (14) at the rear of the pump.



EN

2. Turn the hand test pump (with the opening (14) downwards) and gently tap the pump case with the palm of the hand.
⇒ The non-return valve, consisting of the valve plunger, O-ring and spring, falls out of the opening.



The non-return valve consists of very small components! To avoid any loss, place a container under the test pump!

3. Clean the O-ring at the valve plunger or, if worn, replace it.
4. Re-insert the non-return valve consisting of the valve plunger, O-ring and spring.



CAUTION!

Damage to the hand test pump due to incorrect mounting

Incorrect insertion of the non-return valve may lead to damage of the test pump!

- ▶ Use tweezers when inserting the valve plunger/spring!
- ▶ Lightly tap the side of the pump case until the valve plunger/spring is seated correctly.
- ▶ Pay attention to the correct order of the components (see Fig. 1 "Inserting the non-return valve")!
- ▶ Do not interchange the screws from both non-return valves!

7. Maintenance and cleaning

5. Re-close the opening ⑭ with the screw ⑮.

EN

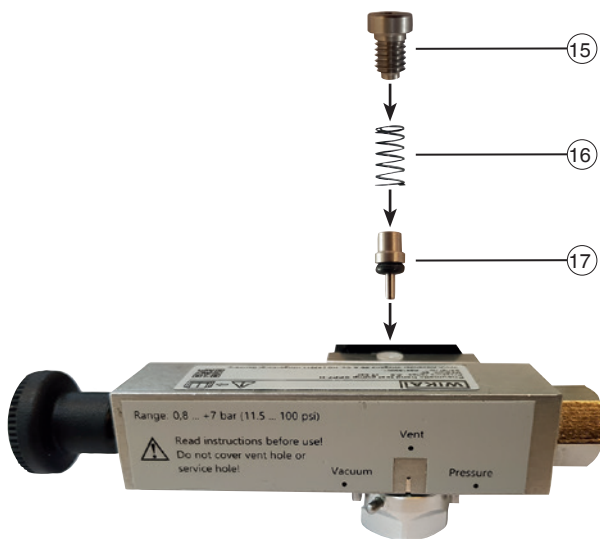


Fig. 1 - Inserting the non-return valve

- ⑮ Screw
- ⑯ Spring
- ⑰ Valve plunger incl. O-ring (0.74 x 1.02 mm)

7.1.2 Maintenance of the non-return valve (outlet)

Should the pressure drop continuously, the O-ring on the outlet non-return valve on the front of the pump may be worn or dirty.

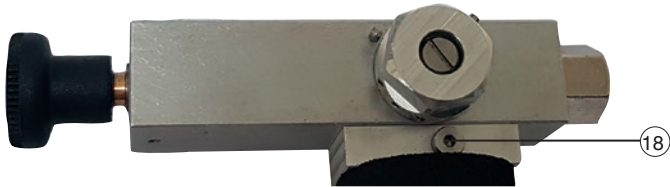


Even small impurities on the O-ring can cause leakage at low pressures.

7. Maintenance and cleaning

To replace/clean the O-ring at the front, proceed as follows:

1. Open the screw (18) at the rear of the pump.



EN

2. Turn the hand test pump (with the opening (18) downwards) and gently tap the pump case with the palm of the hand.
⇒ The non-return valve, consisting of the valve plunger, O-ring and spring, falls out of the opening.



The non-return valve consists of very small components! To avoid any loss, place a container under the test pump!

3. Clean the O-ring at the valve plunger or, if worn, replace it.
4. Re-insert the non-return valve consisting of the valve plunger, O-ring and spring.



CAUTION!

Damage to the hand test pump due to incorrect mounting

Incorrect insertion of the non-return valve may lead to damage of the test pump!

- ▶ Use tweezers when inserting the valve plunger/spring!
- ▶ Lightly tap the side of the pump case until the valve plunger/spring is seated correctly.
- ▶ Pay attention to the correct order of the components (see Fig. 1 “Inserting the non-return valve”)!
- ▶ Do not interchange the screws from both non-return valves!

5. Re-close the opening (18) with the screw (15).

7. Maintenance and cleaning / 8. Dismounting, return and ...

7.2 Cleaning

EN



CAUTION!

Physical injuries and damage to property and the environment

Improper cleaning may lead to physical injuries and damage to property and the environment. Residual media in the dismantled instrument can result in a risk to persons, the environment and equipment.

- ▶ Carry out the cleaning process as described below.

1. Use the requisite protective equipment.
2. Clean the instrument with a moist cloth.



CAUTION!

Damage to the instrument

Improper cleaning may lead to damage to the instrument!

- ▶ Do not use any aggressive cleaning agents.
- ▶ Do not use any hard or pointed objects for cleaning.

3. Clean the dismantled instrument, in order to protect persons and the environment from exposure to residual media.

8. Dismounting, return and disposal

Personnel: Skilled personnel

Tools: Torque spanner

8.1 Dismounting



WARNING!

Physical injuries and damage to property and the environment through residual media

When dismantling, there is a danger from aggressive media and high pressures.

- ▶ Before storage of the dismantled instrument (following use) wash or clean it, in order to protect persons and the environment from exposure to residual media.
- ▶ Only disconnect the measuring assembly/test and calibration installations once the system has been depressurised.

1. Open the pressure relief and switching valve (13) until there is no more pressure in the test pump.
2. Dismount the reference pressure measuring instrument and/or the test item.

8. Dismounting, return and disposal

3. Remove the sealings used.
4. Dismount the adapters and T-connector, if used, from the hand test pump.

8.2 Return

Strictly observe the following when shipping the instrument:

All instruments delivered to WIKA must be free from any kind of hazardous substances (acids, bases, solutions, etc.) and must therefore be cleaned before being returned.



WARNING!

Physical injuries and damage to property and the environment through residual media

Residual media at the hand test pump can result in a risk to persons, the environment and equipment.

- ▶ With hazardous substances, attach the material safety data sheet for the corresponding medium.
- ▶ Clean the instrument, see chapter 7.2 “Cleaning”.

When returning the instrument, use the original packaging or a suitable transport packaging.

To avoid damage:

1. Place the instrument, along with the shock-absorbent material, in the packaging. Place shock-absorbent material evenly on all sides of the transport packaging.
2. If possible, place a bag, containing a desiccant, inside the packaging.
3. Label the shipment as transport of a highly sensitive measuring instrument.



Information on returns can be found under the heading “Service” on our local website.

8.3 Disposal

Incorrect disposal can put the environment at risk.

Dispose of instrument components and packaging materials in an environmentally compatible way and in accordance with the country-specific waste disposal regulations.

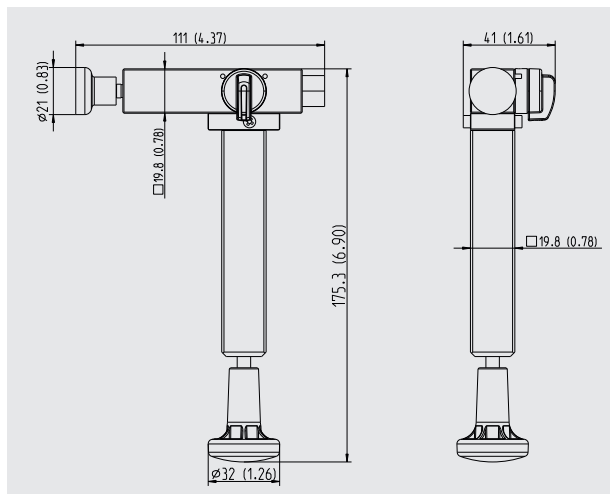
9. Specifications

9. Specifications

Specifications	Model CPP7-H
Pressure range	-0.85 ... +7 bar (-12.3 ... 101.5 psi)
Pressure transmission medium	Air
Pressure connections	1 connection with G 1/8 female thread to the pump body, prepared for connection to a T-connector with 2 hoses and freely selectable connections to test item
Fine adjustment	Fine adjustment valve
Dimensions (L x W x H)	
Without T-connector	175.3 x 111 x 41 mm (6.90 x 4.37 x 1.61 in)
With T-connector	175.3 x 144 x 41 mm (6.90 x 5.67 x 1.61 in)
Weight	
Without T-connector	293 g (0.65 lbs)
With T-connector	334 g (0.74 lbs)

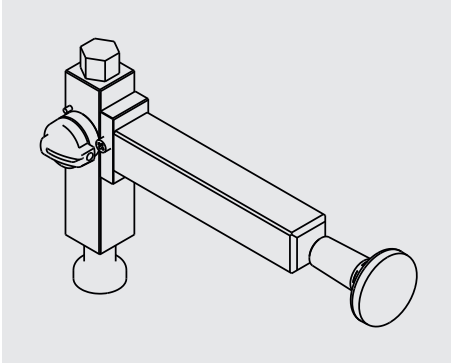
For further specifications see WIKA data sheet CT 91.02 and the order documentation.

Dimensions in mm (in)



9. Specifications

Isometric view



EN

10. Accessories

10. Accessories

	Order code
EN Description	CPP-A-B-
	Plastic case incl. foam insert with free spaces for model CPP7-H Dimensions (W x H x D): 350 x 265 x 85 mm (13.78 x 10.53 x 3.35 in)
	Hose connection adapter G 1/8 male to 4 mm hose connection
	T-connector 2 x G 1/8 female to G 1/8 male Material: brass
	Connection adapter G 1/8 female to G 1/2 female, material: stainless steel G 1/8 female to G 1/4 female, material: stainless steel
	Spare hose Length 1 m (3.28 ft)
	Valve set consisting of 2 x O-rings, 2 x valve plungers and 2 x springs
	O-ring set consisting of 10 replacement seals (0.74 x 1.02 mm [0.03 x 0.04 in]) for non-return valves, material: NBR
Ordering information for your enquiry:	
1. Order code: CPP-A-B 2. Option:	↓ []

Inhalt

1. Allgemeines	28
2. Aufbau und Funktion	29
2.1 Überblick	29
2.2 Beschreibung.	29
3. Sicherheit	30
3.1 Symbolerklärung	30
3.2 Lieferumfang	30
3.3 Bestimmungsgemäße Verwendung	31
3.4 Fehlgebrauch.	31
3.5 Personalqualifikation	32
3.6 Beschilderung, Sicherheitskennzeichnungen	32
4. Transport, Verpackung und Lagerung	33
4.1 Transport	33
4.2 Verpackung und Lagerung	33
5. Inbetriebnahme, Betrieb	34
5.1 Auspacken der Handprüfpumpe	34
5.2 Umgebungsbedingungen	34
5.3 Aufbau	34
5.4 Mechanische Montage	35
5.5 Druckerzeugung.	36
5.6 Reduzierung des Drucks	37
5.7 Vakuumerzeugung	37
5.8 Reduzierung des Vakuums	38
5.9 Empfohlene Referenz-Druckmessgeräte	38
5.10 Einsatz mit Kalibriersoftware WIKA-Cal	39
5.11 Lieferbarer Kalibrierkoffer	40
6. Störungen	40
7. Wartung und Reinigung	42
7.1 Wartung	42
7.1.1 Wartung des Rückschlagventils (Eingang)	42
7.1.2 Wartung des Rückschlagventils (Ausgang)	44
7.2 Reinigung	46
8. Demontage, Rücksendung und Entsorgung	46
8.1 Demontage	46
8.2 Rücksendung.	47
8.3 Entsorgung	47
9. Technische Daten	48
10. Zubehör	50

1. Allgemeines

1. Allgemeines

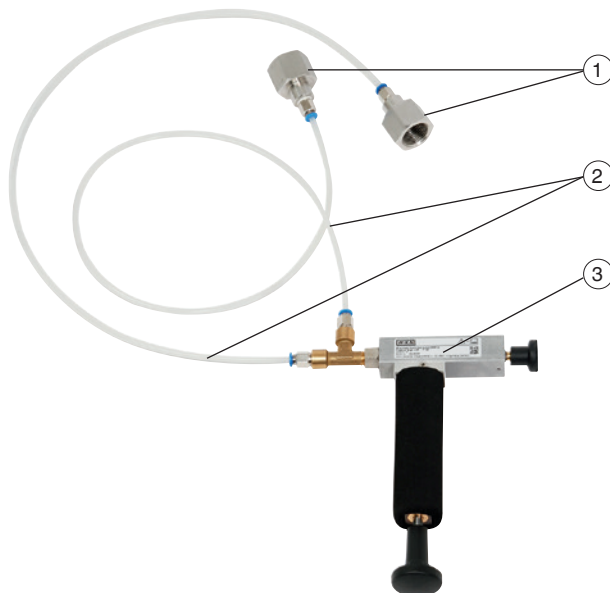
- Die in der Betriebsanleitung beschriebene pneumatische Handprüfpumpe Typ CPP7-H wird nach dem aktuellen Stand der Technik konstruiert und gefertigt. Alle Komponenten unterliegen während der Fertigung strengen Qualitäts- und Umweltkriterien. Unsere Managementsysteme sind nach ISO 9001 und ISO 14001 zertifiziert.
- Diese Betriebsanleitung gibt wichtige Hinweise zum Umgang mit dem Gerät. Voraussetzung für sicheres Arbeiten ist die Einhaltung aller angegebenen Sicherheitshinweise und Handlungsanweisungen.
- Die für den Einsatzbereich des Gerätes geltenden örtlichen Unfallverhütungsvorschriften und allgemeinen Sicherheitsbestimmungen einhalten.
- Die Betriebsanleitung ist Produktbestandteil und muss in unmittelbarer Nähe des Gerätes für das Fachpersonal jederzeit zugänglich aufbewahrt werden. Betriebsanleitung an nachfolgende Benutzer oder Besitzer des Gerätes weitergeben.
- Das Fachpersonal muss die Betriebsanleitung vor Beginn aller Arbeiten sorgfältig durchgelesen und verstanden haben.
- Es gelten die allgemeinen Geschäftsbedingungen in den Verkaufsunterlagen.
- Technische Änderungen vorbehalten.
- Weitere Informationen:
 - Internet-Adresse: www.wika.de / www.wika.com
 - Zugehöriges Datenblatt: CT 91.02
 - Anwendungsberater: Tel.: +49 9372 132-0
Fax: +49 9372 132-406
info@wika.de

DE

2. Aufbau und Funktion

2. Aufbau und Funktion

2.1 Überblick



DE

- ① Druckanschlüsse
- ② Anschlusschläuche
- ③ Handprüfpumpe

2.2 Beschreibung

Die pneumatische Handprüfpumpe Typ CPP7-H dient zur Druckerzeugung für die Überprüfung, Justage und Kalibrierung von mechanischen und elektronischen Druckmessgeräten durch Vergleichsmessungen im Niederdruckbereich. Diese Druckprüfungen können stationär in Labor, Werkstatt oder vor Ort an der Messstelle stattfinden.

Schließt man das zu prüfende Gerät und ein hinreichend genaues Referenzmessgerät an die Handprüfpumpe Typ CPP7-H an, so wirkt bei Betätigung der Pumpe auf beide Messgeräte der gleiche Druck. Durch Vergleich der beiden Messwerte bei beliebigen Druckwerten kann eine Überprüfung der Genauigkeit bzw. eine Justage des zu prüfenden Gerätes erfolgen. Zum exakten Anfahren der Messpunkte kann das Feinregulierungsventil der CPP7-H verwendet werden.

2. Aufbau und Funktion / 3. Sicherheit

Die CPP7-H ist eine pneumatische Handprüfpumpe für Niederdruckbereiche bis +7 bar (+101,5 psi) mit Umschaltung auf Vakuumerzeugung bis -0,85 bar (-12,3 psi). Die CPP7-H ermöglicht trotz sehr kompakter Abmessungen eine einfache und exakte Druckerzeugung.

Der maximal erreichbare Druck bzw. Vakuum ist vom angeschlossenen Prüfvolumen abhängig. Durch die leichtgängige Druckerzeugung und das integrierte Feinregulierventil lassen sich sehr kleine positive bzw. negative Drücke sicher und präzise einstellen.

Über das T-Anschlussstück und dem Anschlussschlauch können Prüfling und Referenzgerät einfach angeschlossen werden.

2.3 Lieferumfang

- Handprüfpumpe Typ CPP7-H
- T-Anschlussstück
- 4 Schlauch-Anschlussadapter
- 2 Anschlussschläuche; Länge jeweils 0,5 m (1,64 ft)
- Anschlussadapter wählbar (G ½, G ¼, ½ NPT oder ¼ NPT)
- PTFE-Dichtungsband

Lieferumfang mit dem Lieferschein abgleichen.

3. Sicherheit

3.1 Symbolerklärung



WARNUNG!

... weist auf eine möglicherweise gefährliche Situation hin, die zum Tod oder zu schweren Verletzungen führen kann, wenn sie nicht gemieden wird.



VORSICHT!

... weist auf eine möglicherweise gefährliche Situation hin, die zu geringfügigen oder leichten Verletzungen bzw. Sach- und Umweltschäden führen kann, wenn sie nicht gemieden wird.



Information

... hebt nützliche Tipps und Empfehlungen sowie Informationen für einen effizienten und störungsfreien Betrieb hervor.

3.2 Bestimmungsgemäße Verwendung

Die pneumatische Handprüfpumpe Typ CPP7-H dient zur Druckerzeugung für die Überprüfung, Justage und Kalibrierung von mechanischen und elektronischen Druckmessgeräten durch Vergleichsmessungen im Niederdruckbereich. Diese Druckprüfungen können stationär in Labor, Werkstatt oder vor Ort an der Messstelle stattfinden. Diese Handprüfpumpe wurde speziell für die Druckerzeugung vor Ort entwickelt.

Die CPP7-H ermöglicht trotz sehr kompakter Abmessungen eine einfache und exakte Druckerzeugung von -0,85 bar ... +7 bar (-12,3 ... +101,5 psi) mit Umschaltung von Vakuumerzeugung auf Niederdruckbereich.

Dieses Gerät ist nicht für den Einsatz in explosionsgefährdeten Bereichen zugelassen!

Das Gerät ist ausschließlich für den hier beschriebenen bestimmungsgemäßen Verwendungszweck konzipiert und konstruiert und darf nur dementsprechend verwendet werden.

Die technischen Spezifikationen in dieser Betriebsanleitung sind einzuhalten. Eine unsachgemäße Handhabung oder ein Betreiben des Gerätes außerhalb der technischen Spezifikationen macht die sofortige Stilllegung und Überprüfung durch einen autorisierten WIKA-Servicemitarbeiter erforderlich.

Geräte mit erforderlicher Sorgfalt behandeln (vor Nässe, Stößen, starken Magnetfeldern, statischer Elektrizität und extremen Temperaturen schützen, keine Gegenstände in das Gerät bzw. Öffnungen einführen). Stecker und Buchsen vor Verschmutzung schützen.

Ansprüche jeglicher Art aufgrund von nicht bestimmungsgemäßer Verwendung sind ausgeschlossen.

3.3 Fehlgebrauch



WARNUNG!

Verletzungen durch Fehlgebrauch

Fehlgebrauch des Gerätes kann zu gefährlichen Situationen und Verletzungen führen.

- ▶ Eigenmächtige Umbauten am Gerät unterlassen.
- ▶ Gerät nicht in explosionsgefährdeten Bereichen einsetzen.
- ▶ Gerät nicht für abrasive und viskose Messstoffe verwenden.
- ▶ Keinen externen Druck beaufschlagen.

Jede über die bestimmungsgemäße Verwendung hinausgehende oder andersartige Benutzung gilt als Fehlgebrauch.

3. Sicherheit

3.4 Personalqualifikation



WARNUNG!

Verletzungsgefahr bei unzureichender Qualifikation

Unsachgemäßer Umgang kann zu erheblichen Personen- und Sachschäden führen.

- ▶ Die in dieser Betriebsanleitung beschriebenen Tätigkeiten nur durch Fachpersonal nachfolgend beschriebener Qualifikation durchführen lassen.

DE

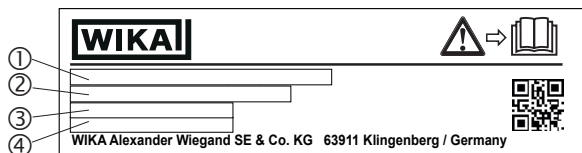
Fachpersonal

Das vom Betreiber autorisierte Fachpersonal ist aufgrund seiner fachlichen Ausbildung, seiner Kenntnisse der Mess- und Regelungstechnik und seiner Erfahrungen sowie Kenntnis der landesspezifischen Vorschriften, geltenden Normen und Richtlinien in der Lage, die beschriebenen Arbeiten auszuführen und mögliche Gefahren selbstständig zu erkennen.

3.5 Beschilderung, Sicherheitskennzeichnungen

Typenschild

Das Typenschild ist auf dem Pumpenkörper angebracht.



- ① Typ
- ② Druckbereich
- ③ Medium
- ④ Serien-Nr.

Symbole



Vor Montage und Inbetriebnahme des Gerätes unbedingt die Betriebsanleitung lesen!

4. Transport, Verpackung und Lagerung

4.1 Transport

Pneumatische Handprüfpumpe auf eventuell vorhandene Transportschäden untersuchen. Offensichtliche Schäden unverzüglich mitteilen.



VORSICHT!

Beschädigungen durch unsachgemäßen Transport

Bei unsachgemäßem Transport können Sachschäden in erheblicher Höhe entstehen.

- ▶ Beim Abladen der Packstücke bei Anlieferung sowie innerbetrieblichem Transport vorsichtig vorgehen und die Symbole auf der Verpackung beachten.
- ▶ Bei innerbetrieblichem Transport die Hinweise unter Kapitel 4.2 „Verpackung und Lagerung“ beachten.

Wird das Gerät von einer kalten in eine warme Umgebung transportiert, so kann durch Kondensatbildung eine Störung der Gerätefunktion eintreten. Vor einer erneuten Inbetriebnahme die Angleichung der Gerätetemperatur an die Raumtemperatur abwarten.

4.2 Verpackung und Lagerung

Die Verpackung aufbewahren, denn diese bietet bei einem Transport einen optimalen Schutz (z. B. wechselnder Einbauort, Reparatursendung).

Zulässige Bedingungen am Lagerort:

- Lagertemperatur: 0 ... 55 °C (32 ... 131 °F)
- Feuchtigkeit: 35 ... 85 % relative Feuchte (nicht kondensierend)

Folgende Einflüsse vermeiden:

- Direktes Sonnenlicht oder Nähe zu heißen Gegenständen
- Mechanische Vibration, mechanischer Schock (hartes Aufstellen)
- Ruß, Dampf, Staub und korrosive Gase
- Explosionsgefährdete Umgebung, entzündliche Atmosphären

Die Handprüfpumpe in der Originalverpackung an einem Ort lagern, der die oben gelisteten Bedingungen erfüllt. Wenn die Originalverpackung nicht vorhanden ist, dann das Gerät wie folgt verpacken und lagern:

1. Das Gerät mit dem Dämmmaterial in der Verpackung platzieren.
2. Bei längerer Einlagerung (mehr als 30 Tage) einen Beutel mit Trocknungsmittel der Verpackung beilegen.

5. Inbetriebnahme, Betrieb

5. Inbetriebnahme, Betrieb

Personal: Fachpersonal

Werkzeuge: Drehmomentschlüssel

Nur Originalteile verwenden (siehe Kapitel 10 „Zubehör“).

DE

5.1 Auspacken der Handprüfpumpe

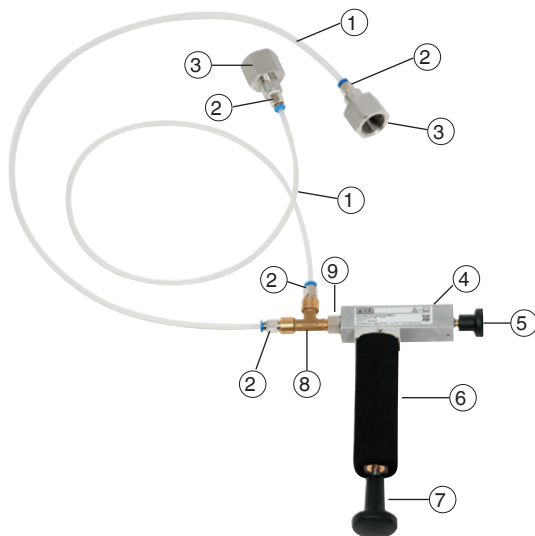
Die Verpackung der Handprüfpumpe baldmöglichst nach der Lieferung öffnen und überprüfen, ob alle in der Packliste (siehe Kapitel 2.3 „Lieferumfang“) angegebenen Teile enthalten sind.

Die Teile beim Auspacken auf Transportschäden überprüfen. Sollten Teile fehlen, sofort WIKA kontaktieren.

5.2 Umgebungsbedingungen

Die Druckprüfungen können stationär in Labor, Werkstatt oder vor Ort an der Messstelle stattfinden.

5.3 Aufbau



- ① Anschlusskabel; Länge 0,5 m (1,64 ft)
- ② Schlauch-Anschlussadapter G $\frac{1}{8}$ außen auf 4 mm Schnellanschluss
- ③ Druckanschlussadapter für Referenz-Druckmessgerät und Prüfling können frei gewählt werden (siehe Kapitel 10 „Zubehör“)

5. Inbetriebnahme, Betrieb

DE

- ④ Pumpenkörper
- ⑤ Feinreguliertventil
- ⑥ Pumpengriff
- ⑦ Stößel
- ⑧ T-Anschlussstück 2 x G 1/8 innen auf G 1/8 außen
- ⑨ Druckanschluss für T-Anschlussstück

5.4 Mechanische Montage



WARNUNG!

Beschädigung der Handprüfpumpe durch externen Druck

Um dies zu verhindern muss folgendes gewährleistet sein.

- ▶ Keine externen Druckquellen an die Pumpe anschließen.
- ▶ Nur mit der Handprüfpumpe einen Druck erzeugen.



VORSICHT!

Beschädigung der Handprüfpumpe durch Verschmutzung

Verunreinigungen jeglicher Art (Öl, Fett, Wasser ...), die am Prüfling anhaften, gelangen in die Pumpe und beschädigen sie.

- ▶ Druckanschlussschlauch reinigen.
- ▶ Anschlüsse reinigen.
- ▶ Prüfling vor der Montage reinigen.



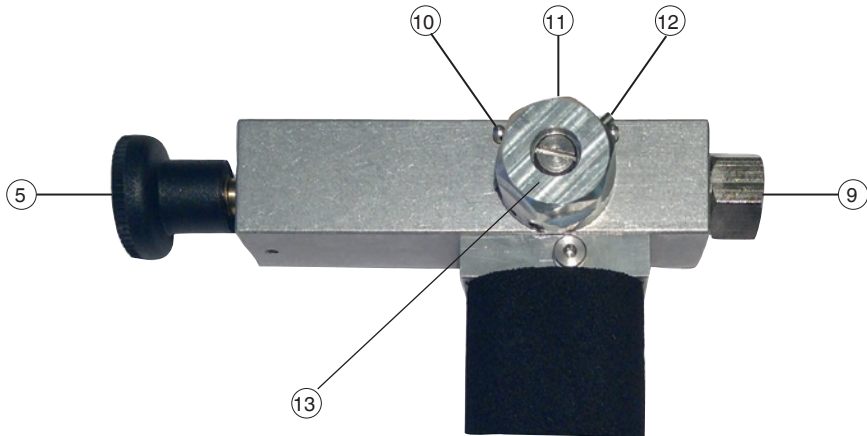
Zum Anschluss der verschiedenen Anschlussadapter und Druckanschlussstücke das PTFE-Dichtungsband verwenden.

Ein Druckabfall oder Undichtigkeit wird dadurch vermieden.

1. Das T-Anschlussstück ⑧ an das Innengewinde G 1/8 ⑨ des Pumpenkörpers ④ montieren.
2. Beide Anschlussschläuche wie folgt anschließen:
 - ▶ Ein Ende des Schlauchs mit seinem Schlauch-Anschlussadapter ② an das Innengewinde G 1/8 des T-Anschlussstücks ⑧ montieren.
 - ▶ Das andere Ende des Schlauchs mit seinem Schlauch-Anschlussadapter ② an einen Druckanschlussadapter ③ montieren.⇒ Es müssen beide Schläuche montiert werden.
3. Das Referenz-Druckmessgerät sowie den Prüfling an jeweils einen Druckanschlussadapter ③ montieren.
 - ▶ Zum Abdichten die im Lieferumfang enthaltenen Dichtungen verwenden.
 - ▶ Den Anschluss fest anziehen, um Undichtigkeiten zu vermeiden.
 - ▶ Die Anschlüsse mit einem maximalen Drehmoment von 15 Nm festziehen.

5. Inbetriebnahme, Betrieb

5.5 Druckerzeugung



- ⑤ Feinreguliertventil
- ⑨ Druckanschluss für T-Anschlussstück
- ⑩ **Schalterstellung**
VACUUM = Vakuum
- ⑪ **Schalterstellung**
VENT = Entlüften
- ⑫ **Schalterstellung**
PRESSURE = Druck
- ⑬ Druckablass- und Umschaltventil für Druck- bzw. Vakuumerzeugung



VORSICHT!

Beschädigung der Prüflinge durch zu hohen Druck

Prüflinge und Referenz-Druckmessgerät mit Druckbereichen < 7 bar (< 101,5 psi) können durch die Druckerzeugung beschädigt werden.

- ▶ Maximale Druckgrenze des Prüflings oder Referenz-Druckmessgerätes nicht überschreiten.
- ▶ Nur einen Vordruck erzeugen, der kleiner ist als der erforderliche Druck.
- ▶ Mit dem Feineinstellventil den genau erforderlichen Druck erhöhen.

Vor der Benutzung der Handprüfpumpe überprüfen:

- Das Referenz-Druckmessgerät ist mit dem Anschlussschlauch zur Druckpumpe angeschlossen.
- Der Prüfling ist mit dem Anschlussschlauch zur Druckpumpe angeschlossen.
- Alle Druckanschlüsse sind korrekt montiert und angezogen.

5. Inbetriebnahme, Betrieb



Aufgrund des geringen Hubes der Handpumpen nur Prüflinge mit kleinem Volumen testen.

1. Das Druckablass- und Umschaltventil (13) auf Stellung „VENT“ drehen.
2. Das Feinreguliertventil (5) gegen den Uhrzeigersinn drehen, bis ein leichter Anschlag zu spüren ist.
3. Das Druckablass- und Umschaltventil (13) auf Stellung „PRESSURE“ drehen.
4. Mit dem Stößel (7) solange pumpen bis der gewünschte Druck in etwa erreicht ist.
5. Mit dem Feinreguliertventil (5) nachregeln bis der gewünschte Druck exakt erreicht ist; max. +7 bar (+101,5 psi)
⇒ Im Uhrzeigersinn drehen, um den Druck zu erhöhen.
⇒ Gegen den Uhrzeigersinn drehen, um den Druck zu reduzieren.



Nach Erhöhung des Druckes kann die Anzeige für etwa 30 Sekunden wieder leicht absinken.

Thermodynamische Effekte, die Schlauchverbindung und die Dichtungen sind hierfür die Ursache.

Den Druck mit dem Feinreguliertventil (5) entsprechend nachregeln. Fällt der Druck immer noch ab, den Messkreis auf Dichtheit prüfen.

5.6 Reduzierung des Drucks

1. Das Druckablass- und Umschaltventil (13) vorsichtig auf die Stellung „VENT“ drehen, bis der gewünschte Druck in etwa erreicht ist.
2. Das Druckablass- und Umschaltventil (13) zurück auf Stellung „PRESSURE“ drehen.
3. Das Feinreguliertventil (5) drehen, bis der gewünschte Druck erreicht ist.
⇒ Im Uhrzeigersinn drehen, um den Druck zu erhöhen.
⇒ Gegen den Uhrzeigersinn drehen, um den Druck zu reduzieren.

5.7 Vakuumherzeugung

1. Das Druckablass- und Umschaltventil (13) auf Stellung „VENT“ drehen.
2. Das Feinreguliertventil (5) im Uhrzeigersinn hineindrehen, bis ein leichter Anschlag zu spüren ist.
3. Das Druckablass- und Umschaltventil (13) auf Stellung „VACUUM“ drehen.
4. Mit dem Stößel (7) solange pumpen bis das gewünschte Vakuum in etwa erreicht ist.
5. Mit dem Feinreguliertventil (5) nachregeln bis das gewünschte Vakuum exakt erreicht ist, max. -0,85 bar (-12,3 psi).
⇒ Im Uhrzeigersinn drehen, um das Vakuum zu reduzieren.
⇒ Entgegen dem Uhrzeigersinn drehen, um das Vakuum zu erhöhen.

5. Inbetriebnahme, Betrieb



Nach Erhöhung des Vakuums kann die Anzeige für etwa 30 Sekunden wieder leicht ansteigen.
Thermodynamische Effekte, die Schlauchverbindung und die Dichtungen sind hierfür die Ursache.

Den Druck mit dem Feinregulierventil (5) entsprechend nachregeln. Steigt der Druck immer noch an, den Messkreis auf Dichtheit prüfen.

DE

5.8 Reduzierung des Vakuums

1. Das Druckablass- und Umschaltventil (13) vorsichtig auf die Stellung „VENT“ drehen, bis der gewünschte Druck in etwa erreicht ist.
2. Das Druckablass- und Umschaltventil (13) zurück auf Stellung „VACUUM“ drehen.
3. Das Feinregulierventil (5) drehen, bis das gewünschte Vakuum erreicht ist.
⇒ Im Uhrzeigersinn drehen, um das Vakuum zu reduzieren.
⇒ Entgegen dem Uhrzeigersinn drehen, um das Vakuum zu erhöhen.

5.9 Empfohlene Referenz-Druckmessgeräte

Präzisions-Digitalmanometer Typ CPG1500

Messbereiche bis 10.000 bar (150.000 psi)

Genauigkeit bis 0,025 % der Spanne

Weitere technische Daten siehe Datenblatt CT 10.51



Hand-Held Druckmessgerät Typ CPH6200

Messbereiche bis 1.000 bar (14.500 psi)

Genauigkeit bis 0,1 % der Spanne

Weitere technische Daten siehe Datenblatt CT 11.01



5. Inbetriebnahme, Betrieb

Hand-Held Druckmessgerät Typ CPH6300

Messbereiche bis 1.000 bar (14.500 psi)

Genauigkeit bis 0,1 % der Spanne

Weitere technische Daten siehe Datenblatt CT 12.01



DE

Präzisions-Hand-Held Druckmessgerät Typ CPH6400

Messbereiche bis 6.000 bar (85.000 psi)

Genauigkeit bis 0,025 % der Spanne

Weitere technische Daten siehe Datenblatt CT 14.01



Prozesskalibrator Typ CPH6000

Messbereiche bis 6.000 bar (85.000 psi)

Genauigkeit bis 0,025 % der Spanne

Weitere technische Daten siehe Datenblatt CT 15.01



5.10 Einsatz mit Kalibriersoftware WIKA-Cal

Kalibriersoftware WIKA-Cal zur Erstellung von Kalibrierzeugnissen oder Loggerprotokollen

Technische Daten siehe Datenblatt CT 95.10



5. Inbetriebnahme, Betrieb / 6. Störungen

5.11 Lieferbarer Kalibrierkoffer

Bestehend aus:

- Bereitschaftskoffer aus Kunststoff mit Schaumstoffeinlage
- Pneumatische Handprüfpumpe Typ CPP7-H
- Standardzubehör siehe Lieferumfang, siehe Kapitel 2.3 „Lieferumfang“

DE

6. Störungen

Personal: Fachpersonal

Werkzeuge: Drehmomentschlüssel



WARNUNG!

Beschädigung der Handprüfpumpe durch externen Druck

Um dies zu verhindern muss folgendes gewährleistet sein.

- ▶ Keine externen Druckquellen an die Pumpe anschließen.
- ▶ Nur mit der Handprüfpumpe einen Druck erzeugen.



VORSICHT!

Körperverletzungen, Sach- und Umweltschäden

Können Störungen mit Hilfe der aufgeführten Maßnahmen nicht beseitigt werden, Handprüfpumpe unverzüglich außer Betrieb setzen.

- ▶ Sicherstellen, dass kein Druck mehr anliegt und gegen versehentlicher Inbetriebnahme schützen.
- ▶ Kontakt mit dem Hersteller aufnehmen.
- ▶ Bei notwendiger Rücksendung die Hinweise unter Kapitel 8.2 „Rücksendung“ beachten.



Kontaktdaten siehe Kapitel 1 „Allgemeines“ oder Rückseite der Betriebsanleitung.

Störungen	Ursachen	Maßnahmen
Handprüfpumpe geht schwergängig	Handprüfpumpe längere Zeit nicht benutzt	Der erste Hub ist etwas schwergängiger. Dieser Effekt ist danach bei weiterem Betrieb wieder verschwunden.
Instabiler Ausgangsdruck bzw. Vakuum	Falsche Dichtung	Korrekte Dichtung einsetzen
	Falsch sitzende Dichtung	Dichtung richtig einsetzen

6. Störungen

Störungen	Ursachen	Maßnahmen
Instabiler Ausgangsdruck bzw. Vakuum	Dichtung defekt	Dichtung ersetzen
	Falscher Adapter oder nicht korrekt montiert	Verwendete Adapter überprüfen und korrekt montieren
	Wenn die Ursache nicht gefunden werden kann	Handprüfpumpe zur Untersuchung zurückschicken
	Rückschlagventil (Ausgang) verunreinigt	Wartung durchführen. (siehe Kapitel 7.1.2 „Wartung des Rückschlagventils (Ausgang)“)
Instabiler Ausgangsdruck	Druckablass- und Umschaltventil offen	Ventil auf Stellung „PRESSURE“ drehen und noch einmal versuchen
Instabiles Vakuum	Druckablass- und Umschaltventil offen	Ventil auf Stellung „VACUUM“ drehen und noch einmal versuchen
System liefert Druck aber der Druck fällt auf Null ab.	Druckablass- und Umschaltventil offen	Ventil auf Stellung „PRESSURE“ drehen und noch einmal versuchen
	Vorgehensweise nicht korrekt	Sicherstellen, dass die korrekte Vorgehensweise angewandt wird (siehe Kapitel 5.5 „Druckerzeugung“)
	Wenn die Ursache nicht gefunden werden kann	Handprüfpumpe zur Untersuchung zurückschicken
System liefert Druck aber der Druck fällt auf einen niederen Wert ab und bleibt dann stabil.	Wenn die Ursache nicht gefunden werden kann	Handprüfpumpe zur Untersuchung zurückschicken
	Interne Beschädigung	Handprüfpumpe zur Untersuchung zurückschicken
	Vorgehensweise nicht korrekt	Sicherstellen, dass die korrekte Vorgehensweise angewandt wird (siehe Kapitel 5.5 „Druckerzeugung“)

DE

7. Wartung und Reinigung

7. Wartung und Reinigung

Personal: Fachpersonal

Werkzeuge: Drehmomentschlüssel, Pinzette, Sechskantschlüssel 2 mm

DE



WARNUNG!

Körperverletzungen, Sach- und Umweltschäden durch Messstoffreste

Bei der Wartung oder Reinigung besteht Gefahr durch hohe Drücke.

- ▶ Messanordnung/Prüf- und Kalibrieraufbauten im drucklosen Zustand warten oder reinigen.
- ▶ Das Druckablass- und Umschaltventil (13) öffnen bis sich kein Druck mehr in der Prüfpumpe befindet.



Kontaktdaten siehe Kapitel 1 „Allgemeines“ oder Rückseite der Betriebsanleitung.

7.1 Wartung

Nur Originalteile verwenden (siehe Kapitel 10 „Zubehör“).



VORSICHT!

Körperverletzungen, Sach- und Umweltschäden

Können Störungen mit Hilfe der aufgeführten Maßnahmen nicht beseitigt werden, Handprüfpumpe unverzüglich außer Betrieb setzen.

- ▶ Sicherstellen, dass kein Druck mehr anliegt und gegen versehentlicher Inbetriebnahme schützen.
- ▶ Kontakt mit dem Hersteller aufnehmen.
- ▶ Bei notwendiger Rücksendung die Hinweise unter Kapitel 8.2 „Rücksendung“ beachten.

Vor dem Adaptieren von Referenz-Druckmessgerät und Prüfling die Dichtungen in den beiden Anschlüssen auf richtigen Sitz und Verschleiß prüfen.

⇒ Bei Bedarf Dichtungen austauschen.

7.1.1 Wartung des Rückschlagventils (Eingang)

Sollte sich kein oder nur sehr schwer Druck aufbauen lassen, ist möglicherweise der O-Ring am Eingangs-Rückschlagventil auf der Rückseite der Pumpe verschlissen bzw. verschmutzt.



Bereits kleine Verunreinigungen am O-Ring können bei niedrigen Drücken eine Leckage verursachen.

7. Wartung und Reinigung

Zum Austausch/Reinigen des O-Rings auf der Rückseite wie folgt vorgehen:

1. Schraube (14) auf der Rückseite der Pumpe öffnen.



DE

2. Handprüfpumpe mit der Öffnung (14) nach unten drehen und vorsichtig mit der Handfläche auf das Pumpengehäuse klopfen.
⇒ Das Rückschlagventil bestehend aus Ventilstößel, O-Ring und Feder fällt aus der Öffnung.



Das Rückschlagventil besteht aus sehr kleinen Bauteilen! Um einen Verlust zu vermeiden, Behälter unter die Prüfpumpe legen!

3. O-Ring am Ventilstößel reinigen oder bei Verschleiß tauschen.
4. Rückschlagventil bestehend aus Ventilstößel, O-Ring und Feder wieder einsetzen.



VORSICHT!

Beschädigung der Handprüfpumpe durch falsche Montage

Durch unsachgemäßes Einlegen des Rückschlagventils kann es zu Beschädigungen an der Prüfpumpe kommen!

- ▶ Pinzette beim Einlegen des Ventilstößels/Feder verwenden!
- ▶ Seitlich leicht an das Pumpengehäuse klopfen bis der Ventilstößel/Feder richtig sitzt.
- ▶ Auf die richtige Reihenfolge der Bauteile achten (siehe Abb. 1 „Einsetzen des Rückschlagventils“)!
- ▶ Die Schrauben der beiden Rückschlagventile nicht vertauschen!

7. Wartung und Reinigung

5. Die Öffnung ⑭ mit der Schraube ⑮ wieder verschließen.

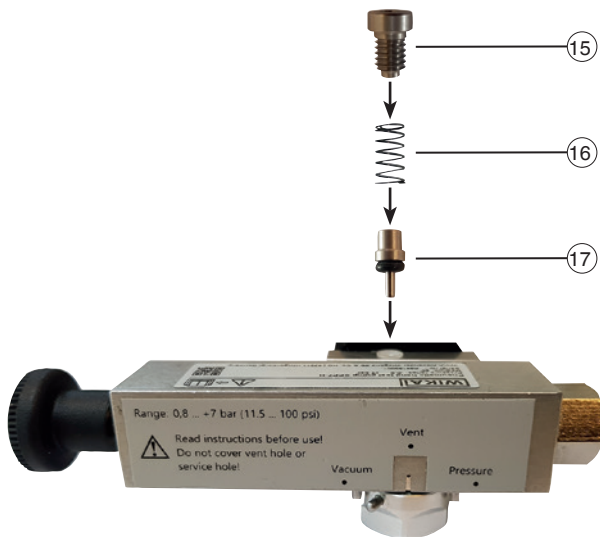


Abb. 1 - Einsetzen des Rückschlagventils

- ⑮ Schraube
- ⑯ Feder
- ⑰ Ventilstößel inkl. O-Ring (0,74 x 1,02 mm)

7.1.2 Wartung des Rückschlagventils (Ausgang)

Sollte der Druck kontinuierlich abfallen, ist möglicherweise der O-Ring am Ausgangs-Rückschlagventil auf der Vorderseite der Pumpe verschlissen bzw. verschmutzt.



Bereits kleine Verunreinigungen am O-Ring können bei niedrigen Drücken eine Leckage verursachen.

7. Wartung und Reinigung

Zum Austausch/Reinigen des O-Rings auf der Vorderseite wie folgt vorgehen:

1. Schraube (18) auf der Rückseite der Pumpe öffnen.



DE

2. Handprüfpumpe mit der Öffnung (18) nach unten drehen und vorsichtig mit der Handfläche auf das Pumpengehäuse klopfen.
⇒ Das Rückschlagventil bestehend aus Ventilstößel, O-Ring und Feder fällt aus der Öffnung.



Das Rückschlagventil besteht aus sehr kleinen Bauteilen! Um einen Verlust zu vermeiden, Behälter unter die Prüfpumpe legen!

3. O-Ring am Ventilstößel reinigen oder bei Verschleiß tauschen.
4. Rückschlagventil bestehend aus Ventilstößel, O-Ring und Feder wieder einsetzen.



VORSICHT!

Beschädigung der Handprüfpumpe durch falsche Montage

Durch unsachgemäßes Einlegen des Rückschlagventils kann es zu Beschädigungen an der Prüfpumpe kommen!

- ▶ Pinzette beim Einlegen des Ventilstößels/Feder verwenden!
- ▶ Seitlich leicht an das Pumpengehäuse klopfen bis der Ventilstößel/Feder richtig sitzt.
- ▶ Auf die richtige Reihenfolge der Bauteile achten (siehe Abb. 1 „Einsetzen des Rückschlagventils“)!
- ▶ Die Schrauben der beiden Rückschlagventile nicht vertauschen!

5. Die Öffnung (18) mit der Schraube (15) wieder verschließen.

7.2 Reinigung



VORSICHT!

Körperverletzungen, Sach- und Umweltschäden

Eine unsachgemäße Reinigung führt zu Körperverletzungen, Sach- und Umweltschäden. Messstoffreste im ausgebauten Gerät können zur Gefährdung von Personen, Umwelt und Einrichtung führen.

- ▶ Reinigungsvorgang wie folgt beschrieben durchführen.

1. Notwendige Schutzausrüstung verwenden.
2. Das Gerät mit einem feuchten Tuch reinigen.



VORSICHT!

Beschädigung des Gerätes

Eine unsachgemäße Reinigung führt zur Beschädigung des Gerätes!

- ▶ Keine aggressiven Reinigungsmittel verwenden.
- ▶ Keine harten und spitzen Gegenstände zur Reinigung verwenden.

3. Ausgebautes Gerät säubern, um Personen und Umwelt vor Gefährdung durch anhaftende Messstoffreste zu schützen.

8. Demontage, Rücksendung und Entsorgung

Personal: Fachpersonal

Werkzeuge: Drehmomentschlüssel

8.1 Demontage



WARNUNG!

Körperverletzungen, Sach- und Umweltschäden durch Messstoffreste

Bei der Demontage besteht Gefahr durch aggressive Medien und hohe Drücke.

- ▶ Vor der Einlagerung das ausgebaute Gerät (nach Betrieb) spülen bzw. säubern, um Personen und Umwelt vor Gefährdung durch anhaftende Messstoffreste zu schützen.
- ▶ Messanordnung/Prüf- und Kalibrierbauten im drucklosen Zustand demontieren.

1. Das Druckablass- und Umschaltventil (13) öffnen bis sich kein Druck mehr in der Prüfpumpe befindet.
2. Das Referenz-Druckmessgerät und/oder den Prüfling demontieren.

8. Demontage, Rücksendung und Entsorgung

3. Verwendete Dichtungen entfernen.
4. Ggf. verwendeten Adapter und T-Anschlussstück von der Handprüfpumpe demontieren.

8.2 Rücksendung

Beim Versand des Gerätes unbedingt beachten:

Alle an WIKA gelieferten Geräte müssen frei von Gefahrstoffen (Säuren, Laugen, Lösungen, etc.) sein und sind daher vor der Rücksendung zu reinigen.



WARNUNG!

Körperverletzungen, Sach- und Umweltschäden durch Messstoffreste
Messstoffreste an der Handprüfpumpe können zur Gefährdung von Personen, Umwelt und Einrichtung führen.

- ▶ Bei Gefahrenstoffen das Sicherheitsdatenblatt für den entsprechenden Messstoff beilegen.
- ▶ Gerät reinigen, siehe Kapitel 7.2 „Reinigung“.

Zur Rücksendung des Gerätes die Originalverpackung oder eine geeignete Transportverpackung verwenden.

Um Schäden zu vermeiden:

1. Das Gerät mit dem Dämmmaterial in der Verpackung platzieren. Zu allen Seiten der Transportverpackung gleichmäßig dämmen.
2. Wenn möglich einen Beutel mit Trocknungsmittel der Verpackung beifügen.
3. Sendung als Transport eines hochempfindlichen Messgerätes kennzeichnen.



Hinweise zur Rücksendung befinden sich in der Rubrik „Service“ auf unserer lokalen Internetseite.

8.3 Entsorgung

Durch falsche Entsorgung können Gefahren für die Umwelt entstehen.

Gerätekomponenten und Verpackungsmaterialien entsprechend den landesspezifischen Abfallbehandlungs- und Entsorgungsvorschriften umweltgerecht entsorgen.

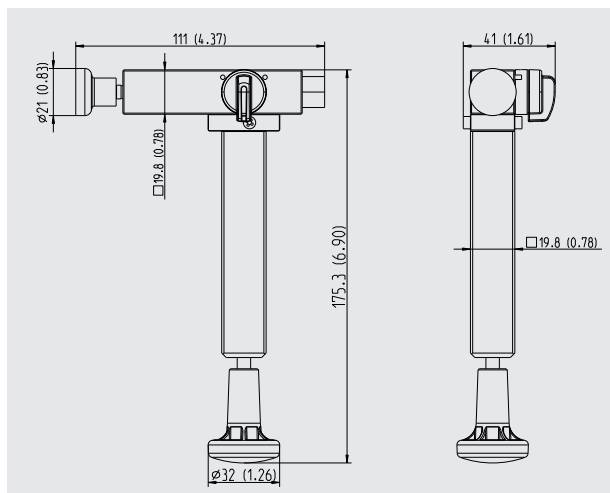
9. Technische Daten

9. Technische Daten

Technische Daten	Typ CPP7-H
Druckbereich	-0,85 ... +7 bar (-12,3 ... 101,5 psi)
Druckübertragungsmedium	Luft
Druckanschlüsse	1 Anschluss mit G 1/8 Innengewinde am Pumpenkörper, vorbereitet zum Anschließen eines T-Anschlussstücks mit 2 Schläuchen und frei wählbaren Anschlüssen zum Prüfling
Feineinstellung	Feinregulierventil
Abmessungen (L x B x H)	
Ohne T-Anschlussstück	175,3 x 111 x 41 mm (6,90 x 4,37 x 1,61 in)
Mit T-Anschlussstück	175,3 x 144 x 41 mm (6,90 x 5,67 x 1,61 in)
Gewicht	
Ohne T-Anschlussstück	293 g (0,65 lbs)
Mit T-Anschlussstück	334 g (0,74 lbs)

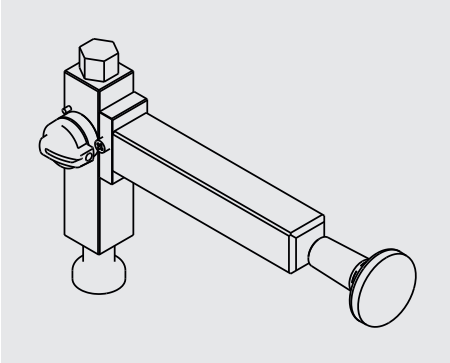
Weitere technische Daten siehe WIKA-Datenblatt CT 91.02 und Bestellunterlagen.

Abmessungen in mm (in)



9. Technische Daten

Isometrische Ansicht






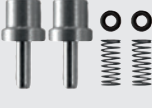



DE

10. Zubehör

10. Zubehör

DE

		Bestellcode
Beschreibung		CPP-A-B-
	Kunststoffkoffer inkl. Schaumstoffeinlage mit Aussparungen für Typ CPP7-H Abmessungen (B x H x T): 350 x 265 x 85 mm (13,78 x 10,53 x 3,35 in)	-B0-
	Schlauch-Anschlussadapter G 1/8 außen auf 4 mm Schlauchanschluss	-B1-
	T-Anschlussstück 2 x G 1/8 innen auf G 1/8 außen Material: Messing	-B2-
	Anschlussadapter G 1/8 innen auf G 1/2 innen, Material: CrNi-Stahl	-B3-
	G 1/8 innen auf G 1/4 innen, Material: CrNi-Stahl	-B4-
	Ersatzschlauch Länge 1 m (3,28 ft)	-B5-
	Ventilset bestehend aus 2 x O-Ringe; 2 x Ventilstößel und 2 x Feder	-B6-
	O-Ring-Set bestehend aus 10 Ersatzdichtungen (0,74 x 1,02 mm [0,03 x 0,04 in]) für Rückschlagventile, Material: NBR	-B7-
Bestellangaben für Ihre Anfrage:		
1. Bestellcode: CPP-A-B		↓
2. Option:		[]

14208994.03 12/2018 EN/DE/FR/ES

Sommaire

1. Généralités	52
2. Conception et fonction	53
2.1 Vue générale	53
2.2 Description	53
3. Sécurité	54
3.1 Explication des symboles.	54
3.2 Détail de la livraison	54
3.3 Utilisation conforme à l'usage prévu	55
3.4 Utilisation inappropriée	55
3.5 Qualification du personnel	56
3.6 Etiquetage, marquages de sécurité	56
4. Transport, emballage et stockage	57
4.1 Transport	57
4.2 Emballage et stockage	57
5. Mise en service, utilisation	58
5.1 Déballage de la pompe à main	58
5.2 Conditions ambiantes	58
5.3 Exécution	58
5.4 Montage mécanique	59
5.5 Génération de pression	60
5.6 Réduire la pression.	61
5.7 Génération de vide	61
5.8 Réduction du vide	62
5.9 Instruments étalons de pression recommandés	62
5.10 Utilisation avec le logiciel d'étalonnage WIKA-Cal	63
5.11 Valise d'étalonnage disponible	64
6. Dysfonctionnements	64
7. Entretien et nettoyage	66
7.1 Entretien	66
7.1.1 Entretien du clapet anti-retour (admission)	66
7.1.2 Entretien du clapet anti-retour (sortie)	68
7.2 Nettoyage	70
8. Démontage, retour et mise au rebut	70
8.1 Démontage	70
8.2 Retour	71
8.3 Mise au rebut.	71
9. Spécifications	72
10. Accessoires	74

1. Généralités

1. Généralités

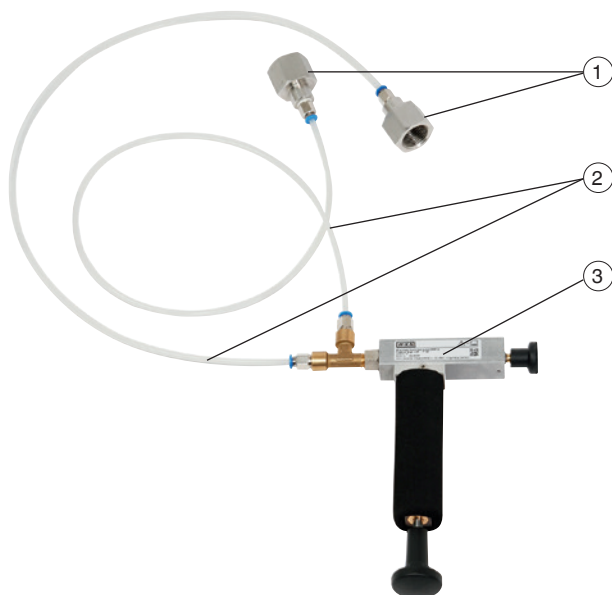
- La pompe à main pneumatique type CPP7-H décrite dans ce mode d'emploi est conçue et fabriquée selon les dernières technologies en vigueur. Tous les composants sont soumis à des exigences environnementales et de qualité strictes durant la fabrication. Nos systèmes de gestion sont certifiés selon ISO 9001 et ISO 14001.
- Ce mode d'emploi donne des indications importantes concernant l'utilisation de l'instrument. Il est possible de travailler en toute sécurité avec ce produit en respectant toutes les consignes de sécurité et d'utilisation.
- Respecter les prescriptions locales de prévention contre les accidents et les prescriptions générales de sécurité en vigueur pour le domaine d'application de l'instrument.
- Le mode d'emploi fait partie de l'instrument et doit être conservé à proximité immédiate de l'instrument et accessible à tout moment pour le personnel qualifié. Confier le mode d'emploi à l'utilisateur ou propriétaire ultérieur de l'instrument.
- Le personnel qualifié doit, avant de commencer toute opération, avoir lu soigneusement et compris le mode d'emploi.
- Les conditions générales de vente mentionnées dans les documents de vente s'appliquent.
- Sous réserve de modifications techniques.
- Pour obtenir d'autres informations :
 - Consulter notre site Internet : www.wika.fr
 - Fiche technique correspondante : CT 91.02
 - Conseiller applications : Tel.: 0 820 951010 (0,15 €/min)
+33 1 787049-46
Fax : 0 891 035891 (0,35 €/min)
info@wika.fr

FR

2. Conception et fonction

2. Conception et fonction

2.1 Vue générale



- ① Raccords de pression
- ② Flexibles de raccordement
- ③ Pompe à main

2.2 Description

La pompe à main pneumatique type CPP7-H est utilisée pour générer de la pression pour tester, régler et étalonner les instruments de mesure de pression mécaniques et électroniques à l'aide de mesures comparatives dans une plage de pression basse. Ces tests de pression peuvent être réalisés en laboratoire, en atelier ou sur site au point de mesure.

Si l'instrument sous test et un instrument de mesure de référence suffisamment précis sont reliés à la pompe à main type CPP7-H, la même pression est appliquée aux deux instruments de mesure lorsque la pompe est actionnée. En comparant les deux valeurs mesurées à des valeurs de pression quelconques, la précision peut être vérifiée ou l'instrument sous test peut être réglé. Pour approcher précisément les points de mesure, on peut utiliser la vanne de réglage fin de la pompe à main CPP7-H.

2. Conception et fonction / 3. Sécurité

La CPP7-H est une pompe à main pneumatique pour les étendues de basse pression allant jusqu'à +7 bar (+101,5 psi), avec commutation sur la génération de vide jusqu'à -0,85 mbar (-12,3 psi). La CPP7-H, en dépit de ses dimensions très compactes, permet une génération de pression simple et précise.

La pression ou le vide maximal atteignable dépend du volume sous test raccordé. La génération homogène de pression et la vanne de réglage fin intégrée permettent de régler en toute sécurité et avec précision des pressions positives ou négatives très basses.

FR

Au moyen d'un connecteur en T et d'un tuyau de connexion, il est facile de raccorder l'instrument sous test à l'instrument de référence.

2.3 Détail de la livraison

- Pompe à main type CPP7-H
- Connecteur en T
- 4 adaptateurs de connexion de tuyau
- 2 tuyaux de connexion ; chacun de 0,5 m de long (1,64 ft)
- Adaptateur de connexion sélectionnable (G ½, G ¼, ½ NPT ou ¼ NPT)
- Bande d'étanchéité PTFE

Comparer le détail de la livraison avec le bordereau de livraison.

3. Sécurité

3.1 Explication des symboles



AVERTISSEMENT !

... indique une situation présentant des risques susceptibles de provoquer la mort ou des blessures graves si elle n'est pas évitée.



ATTENTION !

... indique une situation potentiellement dangereuse et susceptible de provoquer de légères blessures ou des dommages pour le matériel et pour l'environnement si elle n'est pas évitée.



Information

... met en exergue les conseils et recommandations utiles de même que les informations permettant d'assurer un fonctionnement efficace et normal.

3.2 Utilisation conforme à l'usage prévu

La pompe à main pneumatique type CPP7-H est utilisée pour générer de la pression pour tester, régler et étalonner les instruments de mesure de pression mécaniques et électroniques à l'aide de mesures comparatives dans une plage de pression basse. Ces tests de pression peuvent être réalisés en laboratoire, en atelier ou sur site au point de mesure. Cette pompe à main a été spécialement développée pour la génération de pressions sur site.

La CPP7-H, en dépit de ses dimensions très compactes, permet une génération de pression simple et précise de -0,85 bar ... +7 bar (-12,3 ... +101,5 psi) avec une possibilité de commuter d'une génération de vide à une plage de pression basse.

Cet instrument n'est pas certifié pour être utilisé en zones explosives !

Ces instruments sont conçus et construits exclusivement pour une utilisation conforme à l'usage prévu décrit ici, et ne doivent être utilisés qu'à cet effet.

Les spécifications techniques mentionnées dans ce mode d'emploi doivent être respectées. En cas d'utilisation non conforme ou de fonctionnement de l'instrument en dehors des spécifications techniques, un arrêt et contrôle doivent être immédiatement effectués par un collaborateur autorisé du service de WIKA.

Traiter l'instrument avec le soin requis (le protéger contre l'humidité, les chocs, les forts champs magnétiques, l'électricité statique et les températures extrêmes, n'introduire aucun objet dans l'instrument ou dans ses ouvertures). Il est impératif de protéger les connecteurs et les prises contre les salissures.

Aucune réclamation ne peut être recevable en cas d'utilisation non conforme à l'usage prévu.

3.3 Utilisation inappropriée



AVERTISSEMENT !

Blessures causées par une utilisation inappropriée

Une utilisation inappropriée peut conduire à des situations dangereuses et à des blessures.

- ▶ S'abstenir de modifications non autorisées sur l'instrument
- ▶ Ne pas utiliser l'instrument en zone explosive.
- ▶ Ne pas utiliser l'instrument avec un fluide abrasif ou visqueux.
- ▶ Pas de mise en pression externe.

Toute utilisation différente ou au-delà de l'utilisation prévue est considérée comme inappropriée.

3. Sécurité

3.4 Qualification du personnel



AVERTISSEMENT !

Danger de blessure en cas de qualification insuffisante

Une utilisation non conforme peut entraîner d'importants dommages corporels et matériels.

- ▶ Les opérations décrites dans ce mode d'emploi ne doivent être effectuées que par un personnel ayant la qualification décrite ci-après.

FR

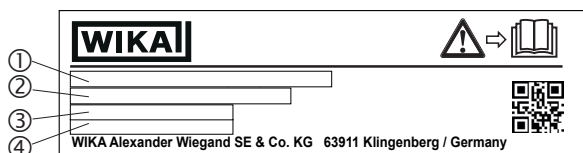
Personnel qualifié

Le personnel qualifié, autorisé par l'opérateur, est, en raison de sa formation spécialisée, de ses connaissances dans le domaine de l'instrumentation de mesure et de régulation et de son expérience, de même que de sa connaissance des réglementations nationales et des normes en vigueur, en mesure d'effectuer les travaux décrits et d'identifier de façon autonome les dangers potentiels.

3.5 Etiquetage, marquages de sécurité

Plaque signalétique

La plaque signalétique est posée sur le corps de la pompe.



- ① Type
- ② Gamme de pression
- ③ Fluide
- ④ Numéro de série

Symboles



Lire impérativement le mode d'emploi avant le montage et la mise en service de l'instrument !

4. Transport, emballage et stockage

4. Transport, emballage et stockage

4.1 Transport

Vérifier s'il existe des dégâts sur la pompe à main pneumatique qui pourraient être liés au transport.

Communiquer immédiatement les dégâts constatés.



ATTENTION !

Dommages liés à un transport inapproprié

Un transport inapproprié peut donner lieu à des dommages importants.

- ▶ Lors du déchargement des colis à la livraison comme lors du transport des colis en interne après réception, il faut procéder avec soin et observer les consignes liées aux symboles figurant sur les emballages.
- ▶ Lors du transport en interne, observer les instructions du chapitre 4.2 "Emballage et stockage".

Si l'instrument est transporté d'un environnement froid dans un environnement chaud, la formation de condensation peut provoquer un dysfonctionnement fonctionnel de l'instrument. Il est nécessaire d'attendre que la température de l'instrument se soit adaptée à la température ambiante avant une nouvelle mise en service.

4.2 Emballage et stockage

Conserver l'emballage, celui-ci offre, lors d'un transport, une protection optimale (par ex. changement de lieu d'utilisation, renvoi pour réparation).

Conditions admissibles sur le lieu de stockage :

- Température de stockage : 0 ... 55 °C (32 ... 131 °F)
- Humidité : de 35 ... 85 % d'humidité relative (pas de formation de rosée)

Eviter les influences suivantes :

- Lumière solaire directe ou proximité d'objets chauds
- Vibrations mécaniques, chocs mécaniques (mouvements brusques en le posant)
- Suie, vapeur, poussière et gaz corrosifs
- Environnements dangereux, atmosphères inflammables

Conserver la pompe à main dans l'emballage original dans un endroit qui satisfait aux conditions susmentionnées. Si l'emballage d'origine n'est pas disponible, emballer et stocker l'instrument comme suit :

1. Placer l'instrument avec le matériau isolant dans l'emballage.
2. En cas d'entreposage long (plus de 30 jours), mettre également un sachet absorbant d'humidité dans l'emballage.

5. Mise en service, utilisation

5. Mise en service, utilisation

Personnel : personnel qualifié

Outils : clé dynamométrique

Utiliser uniquement des pièces d'origine (voir chapitre 10 "Accessoires").

5.1 Déballage de la pompe à main

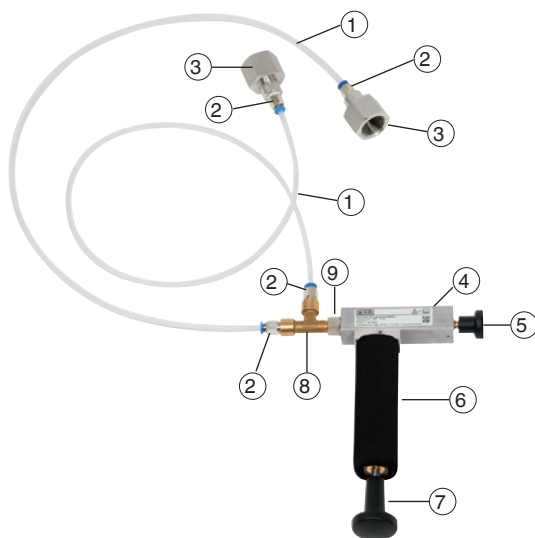
Déballer le matériel le plus vite possible après la livraison de la pompe à main et vérifiez que tous les éléments mentionnés dans la liste d'emballage (voir chapitre 2.3 "Détail de la livraison") sont inclus.

En déballant les éléments, vérifier qu'il n'y a aucun dommage pouvant avoir été causé par le transport. Si quelque élément manque, contacter immédiatement WIKA.

5.2 Conditions ambiantes

Les tests de pression peuvent être réalisés en laboratoire, en atelier ou sur site au point de mesure.

5.3 Exécution



- ① Tuyau de connexion ; longueur 0,5 m (1,64 ft)
- ② Raccord de conversion de tuyau G 1/8 mâle vers connecteur rapide de 4 mm
- ③ Les adaptateurs de pression pour l'instrument de mesure de référence et l'instrument sous test peuvent être choisis librement (voir chapitre 10 "Accessoires")
- ④ Corps de la pompe

5. Mise en service, utilisation

- ⑤ Vanne de réglage fin
- ⑥ Poignée de la pompe
- ⑦ Coulisseau
- ⑧ Connecteur en T, 2 x G 1/8 femelle sur G 1/8 mâle
- ⑨ Raccord de pression pour le connecteur en T

5.4 Montage mécanique



AVERTISSEMENT !

Dommages sur la pompe à main dus à la pression externe

Pour empêcher cela, il faut effectuer ce qui suit.

- ▶ Ne pas connecter une quelconque source de pression externe à la pompe.
- ▶ Ne générer de la pression qu'au moyen de la pompe à main.



ATTENTION !

Dommages sur la pompe à main dus à la contamination

Les contaminants de toutes sortes (huile, graisse, eau ...) qui adhèrent à l'instrument sous test vont se frayer un chemin dans la pompe et l'endommager.

- ▶ Nettoyer le tuyau de connexion de pression.
- ▶ Nettoyer les raccords.
- ▶ Nettoyer l'instrument sous test avant l'installation.

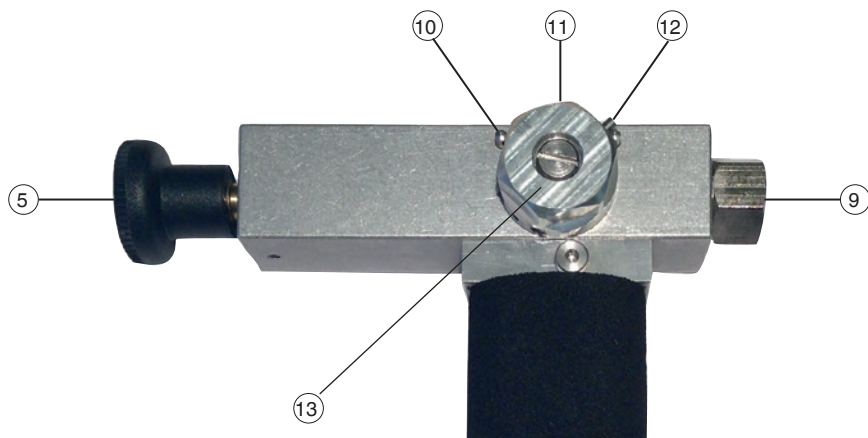


Utiliser la bande d'étanchéité PTFE pour le branchement des différents adaptateurs de connexion et des raccords de pression. Cela permettra d'éviter une perte de pression ou une fuite.

1. Installer le connecteur en T ⑧ sur le filetage femelle G 1/8 ⑨ du corps de la pompe ④.
2. Relier les deux flexibles de raccordement comme suit :
 - ▶ Fixer une extrémité du tuyau avec son adaptateur de connexion ② sur le filetage G 1/8 femelle du connecteur en T ⑧.
 - ▶ Fixer l'autre extrémité du tuyau avec son adaptateur de connexion ② sur l'adaptateur de pression ③.⇒ Les deux tuyaux doivent être fixés.
3. Fixer l'instrument de mesure de pression de référence et aussi l'instrument sous test sur chacun des deux adaptateurs de pression ③.
 - ▶ Pour l'étanchéité, utiliser les joints inclus dans la livraison.
 - ▶ Bien serrer le raccordement afin d'éviter toute fuite.
 - ▶ Serrer les raccordements à un couple maximum de 15 Nm.

5. Mise en service, utilisation

5.5 Génération de pression



- ⑤ Vanne de réglage fin
- ⑨ Raccord de pression pour le connecteur en T
- ⑩ **Réglage de la commutation**
VACUUM = vide
- ⑪ **Réglage de la commutation**
VENT = mise à l'atmosphère
- ⑫ **Réglage de la commutation**
PRESSURE = pression
- ⑬ Soupape de sécurité et de commutation pour génération de pression et de vide



ATTENTION !

Dommages sur l'instrument sous test causés par une pression trop élevée

L'instrument sous test et l'instrument de mesure de pression de référence avec des étendues de mesure < 7 bar (< 101,5 psi) peuvent être endommagés par la génération de pression.

- ▶ Ne pas dépasser la limite de pression maximale de l'instrument sous test ou de l'instrument de mesure de pression de référence.
- ▶ Générer seulement une pression inférieure à la pression requise.
- ▶ Utiliser la vanne de réglage fin pour atteindre la pression exacte requise.

Avant d'utiliser la pompe de test, vérifier si :

- L'instrument de mesure de pression de référence est connecté à la pompe de pression par le tuyau de raccordement ;

5. Mise en service, utilisation

- L'instrument sous test est connecté à la pompe de pression par le tuyau de raccordement ;
- Tous les raccords de pression sont correctement positionnés et serrés.



En raison de la faible course de la pompe à main, ne tester que des instruments de faible volume.

1. Tourner la soupape de sécurité et de commutation (13) dans la position "VENT".
2. Tourner la vanne de réglage fin (5) dans le sens contraire aux aiguilles d'une montre jusqu'à ressentir un léger "arrêt".
3. Tourner la soupape de sécurité et de commutation (13) dans la position "PRESSION".
4. Utiliser le coulisseau (7) pour pomper jusqu'à ce que la pression désirée soit approximativement atteinte.
5. Utiliser la vanne de réglage fin (5) jusqu'à ce que la pression désirée soit atteinte exactement ; max. +7 bar (+101,5 psi)
 - ⇒ Tourner la vanne de réglage fin dans le sens des aiguilles d'une montre pour augmenter la pression.
 - ⇒ Tourner la vanne de réglage fin dans le sens contraire à celui des aiguilles d'une montre pour diminuer la pression.



Après l'augmentation de pression, la valeur affichée peut baisser légèrement pendant environ 30 secondes.

Les causes peuvent en être des effets thermodynamiques, la connexion de flexible et les joints d'étanchéité.

Réajuster la pression au moyen de la vanne de réglage fin (5). Si la pression continue à baisser, vérifier le circuit de mesure pour voir s'il est bien étanche.

5.6 Réduire la pression

1. Tourner la soupape de sécurité et de commutation (13) dans la position "VENT" jusqu'à ce que la pression désirée soit approximativement atteinte.
2. Replacer la soupape de sécurité et de commutation (13) dans la position "PRESSION".
3. Tourner la vanne de réglage fin (5) jusqu'à ce que la pression désirée soit atteinte.
 - ⇒ Tourner la vanne de réglage fin dans le sens des aiguilles d'une montre pour augmenter la pression.
 - ⇒ Tourner la vanne de réglage fin dans le sens contraire à celui des aiguilles d'une montre pour diminuer la pression.

5.7 Génération de vide

1. Tourner la soupape de sécurité et de commutation (13) dans la position "VENT".
2. Tourner la vanne de réglage fin (5) dans le sens des aiguilles d'une montre jusqu'à ressentir un léger "arrêt".
3. Tourner la soupape de sécurité et de commutation (13) dans la position "VACUUM".
4. Utiliser le coulisseau (7) pour pomper jusqu'à ce que la pression désirée soit approximativement atteinte.

5. Mise en service, utilisation

5. Utiliser la vanne de réglage fin (5) jusqu'à ce que la pression désirée soit atteinte exactement, max. -0,85 bar (-12,3 psi).
- ⇒ Tourner la vanne de réglage fin dans le sens des aiguilles d'une montre pour réduire le vide.
 - ⇒ Tourner dans le sens contraire à celui des aiguilles d'une montre pour augmenter le vide.

FR



Après l'augmentation de vide, la valeur affichée peut monter légèrement pendant environ 30 secondes.

Les causes peuvent en être des effets thermodynamiques, la connexion de flexible et les joints d'étanchéité.

Réajuster la pression au moyen de la vanne de réglage fin (5). Si la pression continue à monter, vérifier le circuit de mesure pour voir s'il est bien étanche.

5.8 Réduction du vide

1. Tourner prudemment la soupape de sécurité et de commutation (13) dans la position "VENT" jusqu'à ce que le vide désiré soit approximativement atteint.
2. Replacer la soupape de sécurité et de commutation (13) dans la position "VACUUM".
3. Tourner la vanne de réglage fin (5) jusqu'à ce que le vide désiré soit atteint.
 - ⇒ Tourner dans le sens des aiguilles d'une montre pour diminuer la pression.
 - ⇒ Tourner dans le sens contraire à celui des aiguilles d'une montre pour augmenter la pression.

5.9 Instruments étalons de pression recommandés

Manomètre numérique de précision type CPG1500

Etendues de mesure jusqu'à 10.000 bar (150.000 psi)

Précision jusqu'à 0,025 % de l'échelle

Pour de plus amples spécifications voir la fiche technique CT 10.51



Calibrateur de pression portable type CPH6200

Etendues de mesure jusqu'à 1.000 bar (14.500 psi)

Précision jusqu'à 0,1 % de l'échelle

Pour de plus amples spécifications voir la fiche technique CT 11.01



5. Mise en service, utilisation

Calibreur de pression portable type CPH6300

Etendues de mesure jusqu'à 1.000 bar (14.500 psi)

Précision jusqu'à 0,1 % de l'échelle

Pour de plus amples spécifications voir la fiche technique CT 12.01



Indicateur de pression portable haute précision, type CPH6400

Etendues de mesure jusqu'à 6.000 bar (85.000 psi)

Précision jusqu'à 0,025 % de l'échelle

Pour de plus amples spécifications voir la fiche technique CT 14.01



Calibreur de process type CPH6000

Etendues de mesure jusqu'à 6.000 bar (85.000 psi)

Précision jusqu'à 0,025 % de l'échelle

Pour de plus amples spécifications voir la fiche technique CT 15.01



5.10 Utilisation avec le logiciel d'étalonnage WIKA-Cal

Logiciel d'étalonnage WIKA-Cal pour la création de certificats d'étalonnage ou de rapports d'enregistrement

Pour de plus amples spécifications, voir fiche technique CT 95.10



5. Mise en service, utilisation / 6. Dysfonctionnements

5.11 Valise d'étalonnage disponible

Consistant en :

- Valise de protection en plastique avec protection en mousse
- Pompe à main pneumatique, type CPP7-H
- Pour les accessoires standard, voir le détail de la livraison, voir chapitre 2.3 "Détail de la livraison".

FR

6. Dysfonctionnements

Personnel : personnel qualifié

Outillage : clé dynamométrique



AVERTISSEMENT !

Dommages sur la pompe à main dus à la pression externe

Pour empêcher cela, il faut effectuer ce qui suit.

- ▶ Ne pas connecter une quelconque source de pression externe à la pompe.
- ▶ Ne générer de la pression qu'au moyen de la pompe à main.



ATTENTION !

Blessures physiques, dommages aux équipements et à l'environnement

Si les défauts ne peuvent pas être éliminés au moyen des mesures listées, la pompe à main doit être mise hors service immédiatement.

- ▶ Assurez-vous qu'il n'y a plus aucune pression présente et empêchez toute remise en marche accidentelle.
- ▶ Contacter le fabricant.
- ▶ S'il est nécessaire de retourner l'instrument au fabricant, prière de respecter les indications mentionnées au chapitre 8.2 "Retour".



Pour le détail des contacts, merci de consulter le chapitre 1 "Généralités" ou le dos du mode d'emploi.

Dysfonctionnements	Raisons	Mesures
La pompe à main fonctionne de manière paresseuse	La pompe à main n'a pas été utilisée depuis longtemps	Le premier coup est en quelque sorte mou. Cet effet a disparu après un moment d'utilisation.

6. Dysfonctionnements

Dysfonctionnements	Raisons	Mesures
Pression de sortie ou vide instable	Joint d'étanchéité incorrect	Placer un joint d'étanchéité correct
	Joint d'étanchéité mal positionné	Positionner le joint d'étanchéité correctement
Pression de sortie ou vide instable	Le joint d'étanchéité est défectueux	Remplacer le joint d'étanchéité
	Adaptateur incorrect, ou l'adaptateur n'a pas été monté correctement	Vérifier l'adaptateur utilisé et le monter correctement
	S'il est impossible de trouver une cause	Renvoyer la pompe à main pour vérification
	Clapet (sortie) contaminée	Effectuer l'entretien. (voir chapitre 7.1.2 "Entretien du clapet anti-retour (sortie)")
Pression de sortie instable	La soupape de sécurité et de commutation est ouverte	Placer la soupape dans la position "PRESSURE" et essayer encore une fois
Vide instable	La soupape de sécurité et de commutation est ouverte	Placer la soupape dans la position "VACUUM" et essayer encore une fois
Le système fournit de la pression mais la pression chute à zéro.	La soupape de sécurité et de commutation est ouverte	Placer la soupape dans la position "PRESSURE" et essayer encore une fois
	Le mode opératoire utilisé n'est pas correct	Veiller à ce que le mode opératoire approprié soit suivi (voir chapitre 5.5 "Génération de pression")
	S'il est impossible de trouver une cause	Renvoyer la pompe à main pour vérification
Le système fournit de la pression mais la pression diminue à une valeur inférieure et ensuite reste stable.	S'il est impossible de trouver une cause	Renvoyer la pompe à main pour vérification
	Dommages internes	Renvoyer la pompe à main pour vérification
	Le mode opératoire utilisé n'est pas correct	Veiller à ce que le mode opératoire approprié soit suivi (voir chapitre 5.5 "Génération de pression")

FR

7. Entretien et nettoyage

7. Entretien et nettoyage

Personnel : personnel qualifié

Outils : clé dynamométrique, pincettes, clé hexagonale de 2 mm



AVERTISSEMENT !

Blessures physiques et dommages aux équipements et à l'environnement liés aux résidus de fluides

Lors de l'entretien ou du nettoyage, il y a un danger de hautes pressions.

- ▶ N'entretenir ou ne nettoyer les instruments de mesure ou de test et les appareils d'étalonnage qu'une fois que le système a été dépressurisé.
- ▶ Tourner la soupape de sécurité et de commutation (13) jusqu'à ce qu'il n'y ait plus aucune pression dans la pompe de test.

FR



Pour le détail des contacts, merci de consulter le chapitre 1 "Généralités" ou le dos du mode d'emploi.

7.1 Entretien

Utiliser uniquement des pièces d'origine (voir chapitre 10 "Accessoires").



ATTENTION !

Blessures physiques, dommages aux équipements et à l'environnement

Si les défauts ne peuvent pas être éliminés au moyen des mesures listées, la pompe à main doit être mise hors service immédiatement.

- ▶ Assurez-vous qu'il n'y a plus aucune pression présente et empêchez toute remise en marche accidentelle.
- ▶ Contacter le fabricant.
- ▶ S'il est nécessaire de retourner l'instrument au fabricant, prière de respecter les indications mentionnées au chapitre 8.2 "Retour".

Avant d'adapter l'instrument de mesure de pression de référence et l'instrument sous test, vérifier les joints d'étanchéité sur les deux connexions pour s'assurer qu'ils sont bien montés.

⇒ Si nécessaire, remplacer les joints d'étanchéité.

7.1.1 Entretien du clapet anti-retour (admission)

Dans le cas où il n'y aurait pas ou très peu de pression pouvant se former, il est possible que le joint torique du clapet anti-retour de l'admission à l'arrière de la pompe soit usé ou encrassé.

7. Entretien et nettoyage



Même de petites impuretés sur le joint torique peuvent provoquer une fuite à basse pression.

Pour remplacer ou nettoyer le joint torique à l'arrière, procéder comme suit :

1. Ouvrir la vis (14) située à l'arrière de la pompe.



2. Tourner la pompe de test (avec l'ouverture regardant (14) vers le bas) et tapoter doucement sur le boîtier de la pompe avec la paume de la main.
⇒ Le clapet anti-retour, composée d'un plongeur de soupape, d'un joint torique et d'un ressort, tombe hors de l'ouverture.



Le clapet anti-retour est formée de très petits composants ! Pour éviter toute perte, placer un récipient sous la pompe de test !

3. Nettoyer le joint torique du plongeur du clapet, ou s'il est usé, le remplacer.
4. Insérer à nouveau le clapet anti-retour, composée d'un plongeur de soupape, d'un joint torique et d'un ressort.



ATTENTION !

Dommages sur la pompe à main dus une installation incorrecte

Une insertion incorrecte du clapet anti-retour peut provoquer des dommages à la pompe de test !

- ▶ Utilisez des pincettes lorsque vous insérez le plongeur ou le ressort du clapet !
- ▶ Tapoter légèrement sur le côté du boîtier de pompe jusqu'à ce que le plongeur ou le ressort repose correctement.
- ▶ Faites attention à l'ordre correct des composants (voir Fig. 1 "Insertion du clapet anti-retour") !
- ▶ N'intervertissez pas les vis des deux clapets anti-retour !

7. Entretien et nettoyage

5. Refermer l'ouverture (14) avec la vis (15).

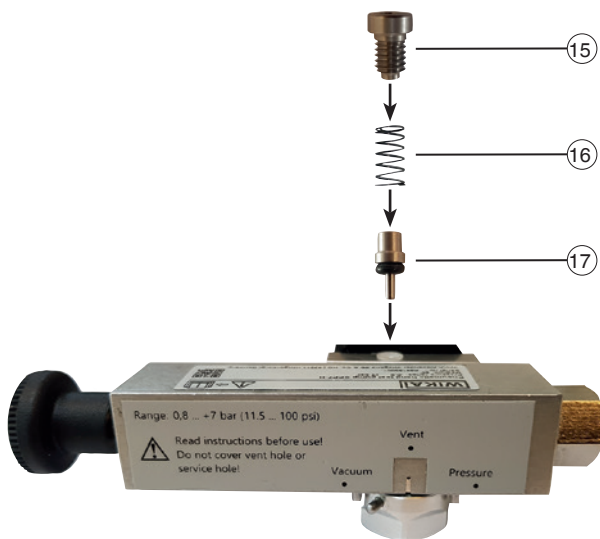


Fig. 1 - Insertion du clapet anti-retour

- (15) Vis
- (16) Ressort
- (17) Plongeur de clapet avec joint torique (0,74 x 1,02 mm)

7.1.2 Entretien du clapet anti-retour (sortie)

Dans le cas où la pression tomberait de manière continue, il est possible que le joint torique du clapet anti-retour de la sortie à l'avant de la pompe soit usé ou encrassé.



Même de petites impuretés sur le joint torique peuvent provoquer une fuite à basse pression.

7. Entretien et nettoyage

Pour remplacer ou nettoyer le joint torique à l'avant, procéder comme suit :

1. Ouvrir la vis (18) située à l'arrière de la pompe.



FR

2. Tourner la pompe de test (avec l'ouverture regardant (18) vers le bas) et tapoter doucement sur le boîtier de la pompe avec la paume de la main.
⇒ Le clapet anti-retour, composée d'un plongeur de soupape, d'un joint torique et d'un ressort, tombe hors de l'ouverture.



Le clapet anti-retour est formée de très petits composants ! Pour éviter toute perte, placer un récipient sous la pompe de test !

3. Nettoyer le joint torique du plongeur du clapet, ou s'il est usé, le remplacer.
4. Insérer à nouveau le clapet anti-retour, composée d'un plongeur de soupape, d'un joint torique et d'un ressort.



ATTENTION !

Dommages sur la pompe à main dus une installation incorrecte

Une insertion incorrecte du clapet anti-retour peut provoquer des dommages à la pompe de test !

- ▶ Utilisez des pincettes lorsque vous insérez le plongeur ou le ressort du clapet !
- ▶ Tapoter légèrement sur le côté du boîtier de pompe jusqu'à ce que le plongeur ou le ressort repose correctement.
- ▶ Faites attention à l'ordre correct des composants (voir Fig. 1 "Insertion du clapet anti-retour") !
- ▶ N'intervertissez pas les vis des deux clapets anti-retour !

5. Refermer l'ouverture (18) avec la vis (15).

7.2 Nettoyage



ATTENTION !

Blessures physiques, dommages aux équipements et à l'environnement

Un nettoyage inapproprié peut conduire à des blessures physiques et à des dommages aux équipements ou à l'environnement. Les restes de fluides se trouvant dans les instruments démontés peuvent mettre en danger les personnes, l'environnement ainsi que l'installation.

- ▶ Effectuer la procédure de nettoyage comme décrit ci-dessous.

1. Utiliser l'équipement de protection requis.
2. Nettoyer l'instrument avec un chiffon humide.



ATTENTION !

Dommages à l'instrument

Un nettoyage inapproprié peut endommager l'instrument !

- ▶ Ne pas utiliser de détergents agressifs.
- ▶ Ne pas utiliser d'objets pointus ou durs pour le nettoyage.

3. Nettoyer l'instrument démonté afin de protéger les personnes et l'environnement contre le danger lié aux résidus de fluides.

8. Démontage, retour et mise au rebut

Personnel : personnel qualifié

Outils : clé dynamométrique

8.1 Démontage



AVERTISSEMENT !

Blessures physiques et dommages aux équipements et à l'environnement liés aux résidus de fluides

Lors du démontage, le danger peut provenir de fluides agressifs et de pressions élevées.

- ▶ Avant de stocker l'instrument démonté (à la suite de son utilisation), le laver ou le nettoyer afin de protéger le personnel et l'environnement contre le danger lié aux résidus de fluides.
- ▶ Ne démonter les instruments de mesure ou de test et les appareils d'étalonnage qu'une fois que le système a été dépressurisé.

1. Tourner la soupape de sécurité et de commutation (13) jusqu'à ce qu'il n'y ait plus aucune pression dans la pompe de test.
2. Démontez l'instrument de mesure de pression de référence et/ou l'instrument sous test.

8. Démontage, retour et mise au rebut

3. Retirer les joints d'étanchéité utilisés.
4. Démonter les adaptateurs et le connecteur en T de la pompe à main si utilisé.

8.2 Retour

En cas d'envoi de l'instrument, il faut respecter impérativement ceci :

Tous les instruments livrés à WIKA doivent être exempts de substances dangereuses (acides, bases, solutions, etc.) et doivent donc être nettoyés avant d'être retournés.



AVERTISSEMENT !

Blessures physiques et dommages aux équipements et à l'environnement liés aux résidus de fluides

Des restes de fluides se trouvant dans la pompe à main peuvent mettre en danger les personnes, l'environnement ainsi que l'équipement.

- ▶ Avec les substances dangereuses, afficher la fiche technique de sécurité de matériau pour le fluide correspondant.
- ▶ Nettoyer l'instrument, voir chapitre 7.2 "Nettoyage".

Pour retourner l'instrument, utiliser l'emballage original ou un emballage adapté pour le transport.

Pour éviter des dommages :

1. Placer l'instrument avec le matériau isolant dans l'emballage. Isoler de manière uniforme tous les côtés de l'emballage de transport.
2. Mettre si possible un sachet absorbant d'humidité dans l'emballage.
3. Indiquer lors de l'envoi qu'il s'agit d'un instrument de mesure très sensible à transporter.



Des informations relatives à la procédure de retour sont disponibles sur notre site Internet à la rubrique "Services".

8.3 Mise au rebut

Une mise au rebut inadéquate peut entraîner des dangers pour l'environnement.

Éliminer les composants des instruments et les matériaux d'emballage conformément aux prescriptions nationales pour le traitement et l'élimination des déchets et aux lois de protection de l'environnement en vigueur.

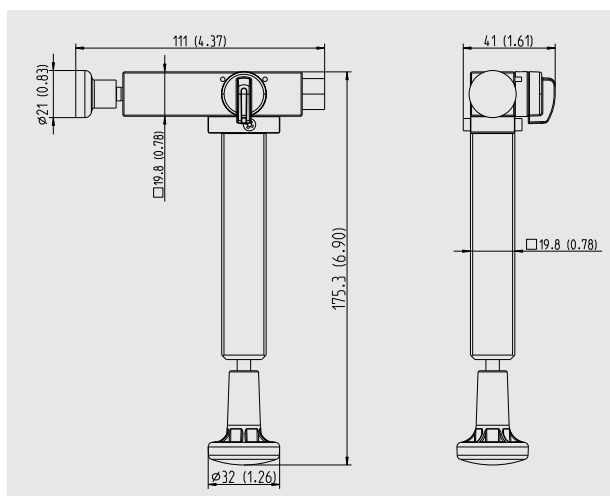
9. Spécifications

9. Spécifications

Spécifications	Type CPP7-H
Gamme de pression	-0,85 ... +7 bar (-12,3 ... 101,5 psi)
Fluide de transmission de pression	Air
Raccords de pression	1 raccord avec filetage femelle G 1/8 vers le corps de la pompe, préparé pour le raccordement à un connecteur en T avec 2 tuyaux et des raccords librement sélectionnables pour l'instrument sous test
Réglage fin	Vanne de réglage fin
Dimensions (L x l x H)	
Sans connecteur en T	175,3 x 111 x 41 mm (6,90 x 4,37 x 1,61 in)
Avec connecteur en T	175,3 x 144 x 41 mm (6,90 x 5,67 x 1,61 in)
Poids	
Sans connecteur en T	293 g (0,65 lbs)
Avec connecteur en T	334 g (0,74 lbs)

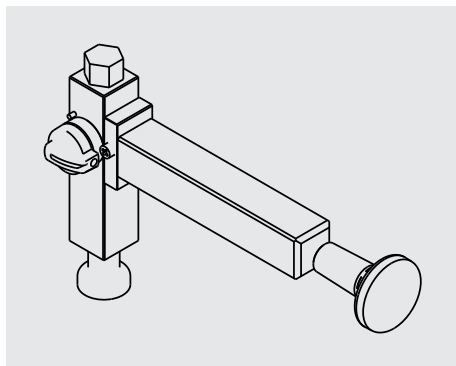
Pour d'autres caractéristiques techniques, voir fiche technique WIKA CT 91.02 et la documentation de commande.

Dimensions en mm (pouces)



9. Spécifications

Vue isométrique



FR

10. Accessoires

10. Accessoires

	Codes de commande
Description	CPP-A-B-
 <p>Boîtier plastique y compris mousse de protection avec évidements pour type CPP7-H Dimensions (L x H x P) : 350 x 265 x 85 mm (13,78 x 10,53 x 3,35 in)</p>	-B0-
 <p>Adaptateur de raccordement de tuyau G 1/8 mâle vers raccord de tuyau 4 mm</p>	-B1-
 <p>Connecteur en T 2 x G 1/8 femelle vers G 1/8 mâle Matériau : laiton</p>	-B2-
 <p>Adaptateur de raccordement G 1/8 femelle vers G 1/2 femelle, matériau : acier inox</p>	-B3-
 <p>G 1/8 femelle vers G 1/4 femelle, matériau : acier inox</p>	-B4-
 <p>Tuyau de rechange Longueur : 1 m (3,28 ft)</p>	-B5-
 <p>Kit de clapet composé de 2 joints toriques, 2 plongeurs de clapet et de 2 ressorts</p>	-B6-
 <p>Kit de joint torique composé de 10 joints d'étanchéité de remplacement (0,74 x 1,02 mm (0,03 x 0,04 in)) pour clapet anti-retour, matériau : NBR</p>	-B7-
Informations de commande pour votre requête :	
<p>1. Code de commande : CPP-A-B 2. Option :</p>	<p>↓ []</p>

14208994.03 12/2018 EN/DE/FR/ES

Contenido

1. Información general	76
2. Diseño y función	77
2.1 Resumen	77
2.2 Descripción	77
3. Seguridad	78
3.1 Explicación de símbolos	78
3.2 Volumen de suministro	78
3.3 Uso conforme a lo previsto	79
3.4 Uso incorrecto	79
3.5 Cualificación del personal	80
3.6 Rótulos, marcajes de seguridad	80
4. Transporte, embalaje y almacenamiento	81
4.1 Transporte	81
4.2 Embalaje y almacenamiento	81
5. Puesta en servicio, funcionamiento	82
5.1 Desembalaje de la bomba de prueba	82
5.2 Condiciones ambientales.	82
5.3 Diseño	82
5.4 Montaje mecánico	83
5.5 Generación de presión	84
5.6 Reducción de la presión	85
5.7 Generación de vacío	85
5.8 Reducción del vacío	86
5.9 Manómetro de referencia recomendado.	86
5.10 Uso con el software de calibración WIKA-Cal	87
5.11 Maletín de calibración suministrable	88
6. Errores	88
7. Mantenimiento y limpieza	90
7.1 Mantenimiento	90
7.1.1 Mantenimiento de la válvula de retención (entrada)	90
7.1.2 Mantenimiento de la válvula de retención (salida)	92
7.2 Limpieza	94
8. Desmontaje, devolución y eliminación de residuos	94
8.1 Desmontaje	94
8.2 Devolución	95
8.3 Eliminación de residuos	95
9. Datos técnicos	96
10. Accesorios	98

ES

1. Información general

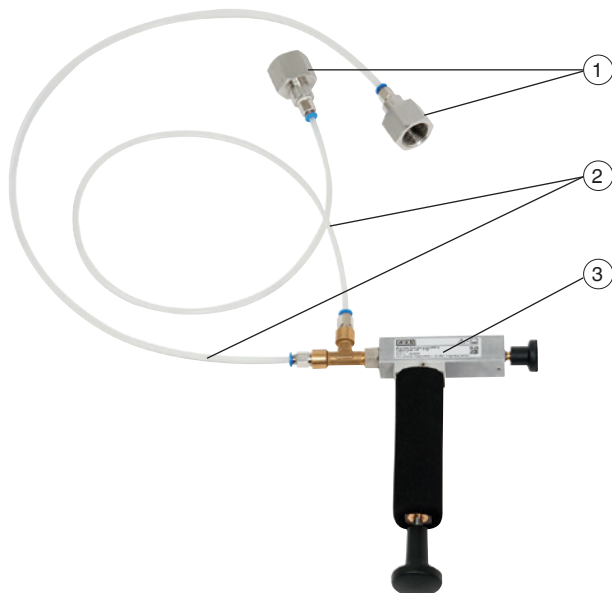
1. Información general

- La bomba de prueba manual neumática modelo CPP7-H descrita en el manual de instrucciones está diseñada y fabricada según el estado actual de la técnica. Todos los componentes están sujetos a rigurosos criterios de calidad y medio ambiente durante la producción. Nuestros sistemas de gestión están certificados según ISO 9001 e ISO 14001.
- Este manual de instrucciones proporciona indicaciones importantes acerca del manejo del instrumento. Para un trabajo seguro, es imprescindible cumplir con todas las instrucciones de seguridad y manejo indicadas.
- ES** ■ Cumplir siempre las normativas sobre la prevención de accidentes y las normas de seguridad en vigor en el lugar de utilización del instrumento.
- El manual de instrucciones es una parte integrante del instrumento y debe guardarse en la proximidad del mismo para que el personal especializado pueda consultarlo en cualquier momento. Entregar el manual de instrucciones al usuario o propietario siguiente del instrumento.
- El personal especializado debe haber leído y entendido el manual de instrucciones antes de comenzar cualquier trabajo.
- Se aplican las condiciones generales de venta incluidas en la documentación de venta.
- Modificaciones técnicas reservadas.
- Para obtener más informaciones consultar:
 - Página web: www.wika.es
 - Hoja técnica correspondiente: CT 91.02
 - Servicio técnico: Tel.: +34 933 938 630
Fax: +34 933 938 666
info@wika.de

2. Diseño y función

2. Diseño y función

2.1 Resumen



ES

- ① Conexiones a presión
- ② Mangueras de conexión
- ③ Bomba de prueba manual

2.2 Descripción

La bomba de prueba manual neumática modelo CPP7-H sirve para generar presión para comprobación, ajuste y calibración de manómetros mecánicos y electrónicos mediante mediciones comparativas en el rango de presiones bajas. El usuario puede efectuar estas pruebas de presión en el laboratorio, en el taller o in situ.

Si se conecta el instrumento a probar y un medidor de referencia con suficiente precisión a la bomba de prueba manual modelo CPP7-H, al accionar ésta se ejercita la misma presión sobre ambos medidores. Comparando ambas lecturas con presiones discretionales puede efectuarse una comprobación de la exactitud de medición o un ajuste del instrumento a comprobar. Para regular los puntos de medición con exactitud, se puede usar la válvula de regulación fina del CPP7-H.

2. Diseño y funcionamiento / 3. Seguridad

La CPP7-H es una bomba de prueba manual neumática para presiones bajas de hasta +7 bar (+101,5 psi) con conmutación para generación de vacío hasta -0,85 bar (-12,3 psi). A pesar de sus dimensiones muy compactas, la CPP7-H permite una generación de presiones en forma sencilla y precisa.

La presión máxima o el vacío máximo que se puede alcanzar depende del volumen de prueba conectado. Mediante la fácil generación de presión y la válvula de regulación fina integrada se pueden ajustar de manera segura y precisa presiones positivas o negativas muy reducidas.

Mediante un racor en forma de T con conexión de manguera se pueden conectar fácilmente el instrumento a comprobar y el medidor de referencia.

ES

2.3 Volumen de suministro

- Bomba de prueba manual modelo CPP7-H
- Racor en forma de T
- 4 adaptador de conexión a manguera
- 2 mangueras de conexión (cada una de 0,5 m (1,64 ft) de longitud)
- Adaptador de conexión a escoger libremente (G ½, G ¼, ½ NPT o ¼ NPT)
- Banda de PTFE para juntas

Comparar mediante el albarán si se han entregado todas las piezas.

3. Seguridad

3.1 Explicación de símbolos



¡ADVERTENCIA!

... indica una situación probablemente peligrosa que puede causar la muerte o lesiones graves si no se la evita.



¡CUIDADO!

... indica una situación probablemente peligrosa que puede causar lesiones leves o medianas, o daños materiales y medioambientales, si no se la evita.



Información

... destaca consejos y recomendaciones útiles así como informaciones para una utilización eficiente y libre de errores.

3. Seguridad

3.2 Uso conforme a lo previsto

La bomba de prueba manual neumática modelo CPP7-H sirve para generar presión para comprobación, ajuste y calibración de manómetros mecánicos y electrónicos mediante mediciones comparativas en el rango de presiones bajas. El usuario puede efectuar estas pruebas de presión en el laboratorio, en el taller o in situ. Esta bomba de prueba manual es un desarrollo especial para la generación de presiones in situ.

A pesar de sus dimensiones muy compactas, la CPP7-H permite en forma sencilla y precisa una generación de presión de -0,85 bar ... +7 bar (-12,3 ... +101,5 psi) con conmutación a la generación de vacío en el rango de presiones bajas.

¡Este dispositivo no está homologado para aplicaciones en zonas potencialmente explosivas!

ES

El instrumento ha sido diseñado y construido únicamente para la finalidad aquí descrita y debe utilizarse en conformidad a la misma.

Cumplir las especificaciones técnicas de este manual de instrucciones. Un manejo no apropiado o una utilización del instrumento no conforme a las especificaciones técnicas requiere la inmediata puesta fuera de servicio y la comprobación por parte de un técnico autorizado por WIKA.

Manejar los instrumentos con adecuada diligencia (protegerla contra humedad, impactos, fuertes campos magnéticos, electricidad estática y temperaturas extremas; no introducir ningún objeto en el instrumento o en las aperturas). Deben protegerse de la suciedad las clavijas y hembrillas.

No se admite ninguna reclamación debido a una utilización no conforme a lo previsto.

3.3 Uso incorrecto



¡ADVERTENCIA!

Lesiones por uso incorrecto

El uso incorrecto del dispositivo puede causar lesiones graves o la muerte.

- ▶ Abstenerse realizar modificaciones no autorizadas del dispositivo.
- ▶ No utilizar el dispositivo en zonas potencialmente explosivas.
- ▶ No utilizar el instrumento para medios abrasivos ni viscosos.
- ▶ No requiere aplicación de presión externa.

Cualquier uso que no sea el previsto para este dispositivo es considerado como uso incorrecto.

3. Seguridad

3.4 Cualificación del personal



¡ADVERTENCIA!

Riesgo de lesiones debido a una insuficiente cualificación

Un manejo no adecuado puede causar considerables daños personales y materiales.

- ▶ Las actividades descritas en este manual de instrucciones deben realizarse únicamente por personal especializado con la consiguiente cualificación.

Personal especializado

Debido a su formación profesional, a sus conocimientos de la técnica de regulación y medición así como a su experiencia y su conocimiento de las normativas, normas y directivas vigentes en el país de utilización el personal especializado autorizado por el usuario es capaz de ejecutar los trabajos descritos y reconocer posibles peligros por sí solo.

3.5 Rótulos, marcajes de seguridad

Placa de identificación

La placa de características se encuentra en el cuerpo de la bomba.



Símbolos



¡Es absolutamente necesario leer el manual de instrucciones antes del montaje y la puesta en servicio del instrumento!

4. Transporte, embalaje y almacenamiento

4. Transporte, embalaje y almacenamiento

4.1 Transporte

Comprobar si la bomba de prueba presenta daños causados en el transporte.
Notificar daños obvios de forma inmediata.



¡CUIDADO!

Daños debidos a un transporte inadecuado

Transportes inadecuados pueden causar daños materiales considerables.

- ▶ Tener cuidado al descargar los paquetes durante la entrega o el transporte dentro de la compañía y respetar los símbolos en el embalaje.
- ▶ Observar las instrucciones en el capítulo 4.2 “Embalaje y almacenamiento” en el transporte dentro de la compañía.

ES

Si se transporta el instrumento de un ambiente frío a uno caliente, puede producirse un error de funcionamiento en el mismo. En tal caso, hay que esperar a que la temperatura del instrumento se adapte a la temperatura ambiente antes de ponerlo nuevamente en funcionamiento.

4.2 Embalaje y almacenamiento

Guardar el embalaje ya que es la protección ideal durante el transporte (por ejemplo si el lugar de instalación cambia o si se envía el instrumento para posibles reparaciones).

Condiciones admisibles en el lugar de almacenamiento:

- Temperatura de almacenamiento: 0 ... 55 °C (32 ... 131 °F)
- Humedad: 35 ... 85 % humedad relativa (sin condensación)

Evitar lo siguiente:

- Luz solar directa o proximidad a objetos calientes
- Vibración mecánica, impacto mecánico (colocación brusca)
- Hollín, vapor, polvo y gases corrosivos
- Entorno potencialmente explosivo, atmósferas inflamables

Almacenar la bomba de prueba manual en su embalaje original en un lugar que cumpla las condiciones arriba mencionadas. Si no se dispone del embalaje original, empaquetar y almacenar el instrumento como sigue:

1. Colocar el instrumento junto con el material aislante en el embalaje.
2. Para un almacenamiento prolongado (más de 30 días) meter una bolsa con un secante en el embalaje.

5. Puesta en servicio, funcionamiento

5. Puesta en servicio, funcionamiento

Personal: personal especializado

Herramientas: llave dinamométrica

Utilizar únicamente piezas originales (véase el capítulo 10 “Accesorios”).

5.1 Desembalaje de la bomba de prueba

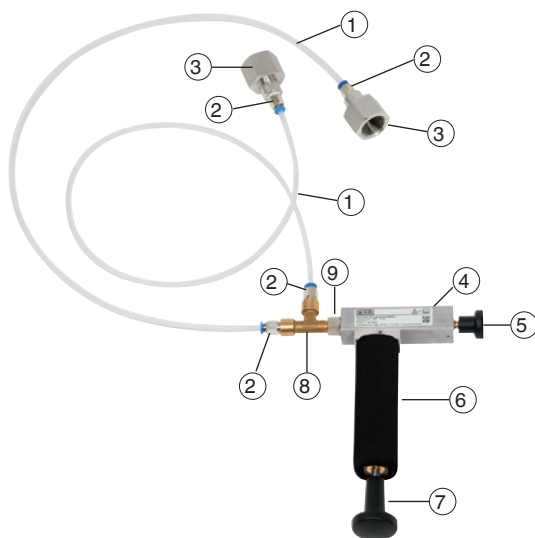
Abrir el embalaje de la bomba de prueba manual tan pronto como sea posible después de la entrega y asegurarse de que estén todas las piezas indicadas en la lista de empaque (véase el capítulo 2.3 “Volumen de suministro”).

Revisar las piezas al desembalarlas en cuanto a daños de transporte. Si faltaran piezas, informar de inmediato a WIKA.

5.2 Condiciones ambientales

Es posible efectuar las pruebas de presión de manera estacionaria en el laboratorio o en el taller, o directamente en el lugar del punto de medición.

5.3 Diseño



- ① Manguera de conexión; longitud 0,5 m (1,64 ft)
- ② Adaptador de conexión para manguera, rosca G $\frac{1}{8}$ macho a 4 mm con conexión rápida
- ③ Los adaptadores para la conexión de presión para el manómetro de referencia y el instrumento a comprobar pueden escogerse libremente (véase el capítulo 10 “Accesorios”)

5. Puesta en servicio, funcionamiento

- ④ Cuerpo de la bomba
- ⑤ Válvula de regulación fina
- ⑥ Mango de la bomba
- ⑦ Émbolo
- ⑧ Racor en forma de T 2 x G 1/8 hembra en G 1/8 macho
- ⑨ Conexión de presión para racor en forma de T

5.4 Montaje mecánico



¡ADVERTENCIA!

Daños en la bomba de prueba manual debido a presión externa

Para impedirlo, debe asegurarse lo siguiente.

- ▶ No conectar fuentes de presión externa a la bomba.
- ▶ Generar presión únicamente con bomba de prueba manual.



¡CUIDADO!

Daños en la bomba de prueba manual debido a suciedad

Las impurezas de cualquier tipo (aceite, grasa, agua ...), que se adhieren al dispositivo bajo prueba, entran en la bomba y le causan daño.

- ▶ Limpiar la manguera de conexión de presión.
- ▶ Limpiar las conexiones.
- ▶ Limpiar comprobar antes del montaje.



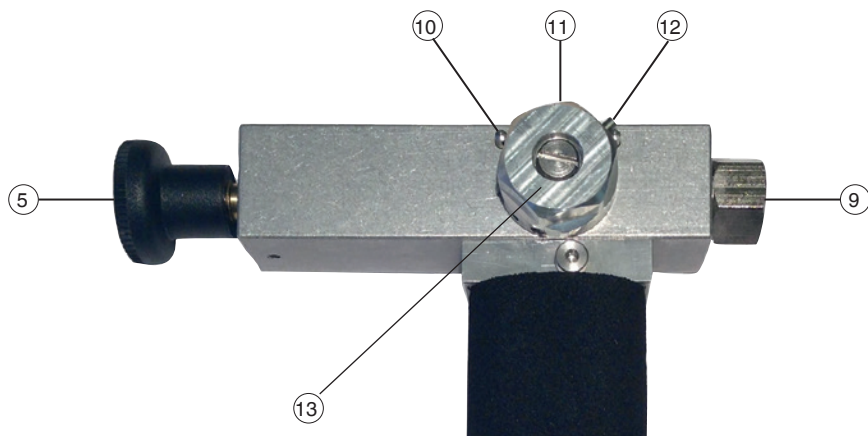
Para conectar los diferentes adaptadores de conexión y los racores utilizar la cinta de sellar PTFE.

Con ello se impiden una caída de presión o fugas.

1. Montar el racor en forma de T ⑧ en la rosca hembra G 1/8 ⑨ del cuerpo de la bomba ④.
2. Conectar ambas mangueras del siguiente modo:
 - ▶ Montar un extremo de la manguera con su adaptador de conexión ② en la rosca hembra G 1/8 del racor en forma de T ⑧.
 - ▶ Montar el otro extremo de la manguera con su adaptador de conexión a un adaptador para la conexión de presión ③.⇒ Deben montarse ambas mangueras.
3. Montar el manómetro de referencia y el instrumento bajo prueba a un respectivo adaptador para la conexión de presión ③.
 - ▶ Para sellar, utilizar las juntas suministradas.
 - ▶ Apretar firmemente la conexión a fin de evitar fugas.
 - ▶ Ajustar las uniones aplicando un par de apriete de 15 Nm.

5. Puesta en servicio, funcionamiento

5.5 Generación de presión



ES

- ⑤ Válvula de regulación fina
- ⑨ Conexión de presión para racor en forma de T
- ⑩ **Posición del interruptor**
VACUUM = Vacío
- ⑪ **Posición del interruptor**
VENT = Purgar
- ⑫ **Posición del interruptor**
PRESSURE = Presión
- ⑬ Válvula de alivio de presión y conmutación para generación de presión o vacío



¡CUIDADO!

Daños en el instrumento bajo prueba debido a presión excesiva

Los instrumentos a comprobar y el manómetro de referencia con rangos de presión < 7 bar (< 101,5 psi) pueden resultar dañados debido a la generación de presión.

- ▶ No sobrepasar la límite presión máxima del instrumento a comprobar o manómetro de referencia.
- ▶ Generar únicamente una presión inicial inferior a la presión de prueba requerida.
- ▶ Aumentar a la exacta presión requerida con la válvula de regulación fina.

Antes de utilizar la bomba de prueba de mano, comprobar:

- Que el manómetro de presión de referencia esté conectado a la bomba con la manguera de conexión.

5. Puesta en servicio, funcionamiento

- Que el instrumento bajo prueba esté conectado a la manguera de conexión de presión.
- Que todas las conexiones de presión estén instaladas y apretadas correctamente.



Debido a la reducida carrera de la bomba de prueba manual, probar únicamente instrumentos de pequeño volumen.

1. Girar la válvula de alivio de presión y conmutación (13) a la posición "VENT".
2. Girar hacia la izquierda la válvula de ajuste fino (5) hasta que haga tope.
3. Girar la válvula de alivio de presión y conmutación (13) a la posición "PRESSURE".
4. Bombear con el émbolo (7) hasta alcanzar la presión deseada.
5. Regular con la válvula de regulación fina (5) hasta alcanzar exactamente la presión deseada; máx. +7 bar (+101,5 psi)
 - ⇒ Girar en sentido horario para aumentar la presión.
 - ⇒ Girar en sentido antihorario para reducir la presión.

ES



Después de aumentar la presión, el indicador puede descender otra vez ligeramente durante unos 30 segundos.

Ello se debe a efectos termodinámicos, a la conexión de la manguera y a las juntas.

Reajustar la presión con la válvula de control fino (5) de manera acorde. Si no se detiene la caída de presión, deberá comprobarse la estanqueidad del circuito de medición.

5.6 Reducción de la presión

1. Girar con cuidado la válvula de alivio de presión y conmutación (13) a la posición "VENT", hasta alcanzar aproximadamente la presión deseada.
2. Girar la válvula de alivio de presión y conmutación (13) de retorno a la posición "PRESSURE".
3. Girar la válvula de regulación fina (5) hasta alcanzar la presión deseada.
 - ⇒ Girar en sentido horario para aumentar la presión.
 - ⇒ Girar en sentido antihorario para reducir la presión.

5.7 Generación de vacío

1. Girar la válvula de alivio de presión y conmutación (13) a la posición "VENT".
2. Girar hacia la derecha la válvula de ajuste fino (5) hasta sentir que hace tope suavemente.
3. Girar la válvula de alivio de presión y conmutación (13) a la posición "VACUUM".
4. Bombear con el émbolo (7) hasta alcanzar aproximadamente el vacío deseado.
5. Regular con la válvula de regulación fina (5) hasta alcanzar apenas el vacío deseado exactamente, max. -0,85 bar (-12,3 psi).
 - ⇒ Girar en sentido horario para reducir el vacío.
 - ⇒ Girar en sentido antihorario para aumentar el vacío.

5. Puesta en servicio, funcionamiento



Después de aumentar el vacío, el indicador puede aumentar ligeramente durante unos 30 segundos.

Ello se debe a efectos termodinámicos, a la conexión de la manguera y a las juntas.

Reajustar la presión con la válvula de control fino (5) de manera acorde.

Si la presión sigue aumentando, deberá comprobarse la estanqueidad del circuito de medición.

5.8 Reducción del vacío

1. Girar con cuidado la válvula de alivio de presión y conmutación (13) a la posición "VENT", hasta alcanzar aproximadamente la presión deseada.
2. Girar la válvula de alivio de presión y conmutación (13) de retorno a la posición "VACUUM".
3. Girar la válvula de regulación fina (5) hasta alcanzar el vacío deseado.
 - ⇒ Girar en sentido horario para reducir el vacío.
 - ⇒ Girar en sentido antihorario para aumentar el vacío.

5.9 Manómetro de referencia recomendado

Manómetro digital de precisión modelo CPG1500

Rangos de medición hasta 10.000 bar (150.000 psi)

Exactitud hasta 0,025 % del span

Para informarse sobre más datos técnicos véase la hoja técnica CT 10.51



Manómetro portátil modelo CPH6200

Rangos de medición hasta 1.000 bar (14.500 psi)

Exactitud hasta 0,1 % del span

Para más información sobre datos técnicos véase la hoja técnica CT 11.01



5. Puesta en servicio, funcionamiento

Manómetro portátil modelo CPH6300

Rangos de medición hasta 1.000 bar (14.500 psi)

Exactitud hasta 0,1 % del span

Para consultar más datos técnicos véase la hoja técnica CT 12.01



Manómetro portátil de precisión modelo CPH6400

Rangos de medición hasta 6.000 bar (85.000 psi)

Exactitud hasta 0,025 % del span

Para consultar más datos técnicos véase hoja técnica CT 14.01



Calibrador de proceso CPH6000

Rangos de medición hasta 6.000 bar (85.000 psi)

Exactitud hasta 0,025 % del span

Para informarse sobre más datos técnicos véase la hoja técnica CT 15.01



5.10 Uso con el software de calibración WIKA-Cal

Software de calibración WIKA-Cal para generar certificados de calibración o actas de registro

Para datos técnicos véase hoja técnica CT 95.10



5. Puesta en servicio, funcionamiento / 6. Errores

5.11 Maletín de calibración suministrable

Compuesto de:

- Maletín de servicio móvil de plástico con espuma de relleno
- Bomba de prueba manual neumática modelo CPP7-H
- Accesorios estándar, véase el alcance del suministro y el capítulo 2.3 “Volumen de suministro”

6. Errores

ES

Personal: personal especializado

Herramientas: llave dinamométrica



¡ADVERTENCIA!

Daños en la bomba de prueba manual debido a presión externa

Para impedirlo, debe asegurarse lo siguiente.

- ▶ No conectar fuentes de presión externa a la bomba.
- ▶ Generar presión únicamente con bomba de prueba manual.



¡CUIDADO!

Lesiones corporales, daños materiales y del medio ambiente

Si no se pueden solucionar las averías con las medidas mencionadas, se debe poner la bomba inmediatamente fuera de servicio.

- ▶ Asegurarse que el instrumento ya no esté sometido a presión y protegerlo contra una puesta en funcionamiento accidental.
- ▶ Contactar con el fabricante.
- ▶ En caso de devolución, observar las indicaciones del capítulo 8.2 “Devolución”.



Datos de contacto, véase el capítulo 1 “Información general” o la parte posterior del manual de instrucciones.

Errores	Causas	Medidas
La bomba es lenta	La bomba no se utilizó durante mucho tiempo	La primera carrera es algo lenta. Este efecto desaparece con el funcionamiento
Presión de salida o vacío inestables	Junta inadecuada	Colocar la junta apropiada
	Junta asentada incorrectamente	Colocar correctamente la junta

6. Errores

Errores	Causas	Medidas
Presión de salida o vacío inestables	Junta defectuosa	Reemplazar la junta
	Adaptador inadecuado o incorrectamente montado	Revisar el adaptador utilizado y montarlo correctamente
	Si no se puede detectar la causa	Enviar de vuelta la bomba para su revisión
	Válvula de retención (salida) sucia	Realizar el mantenimiento. (véase el capítulo 7.1.2 “Mantenimiento de la válvula de retención (salida)”)
Presión de salida inestable	Válvula de alivio de presión y conmutación abierta	Girar la válvula a la posición “PRESSURE” e intentar nuevamente
Vacío inestable	Válvula de alivio de presión y conmutación abierta	Girar la válvula a la posición “VACUUM” e intentar nuevamente
El sistema suministra presión, pero ésta cae a cero.	Válvula de alivio de presión y conmutación abierta	Girar la válvula a la posición “PRESSURE” e intentar nuevamente
	Forma de proceder incorrecta	Cerciorarse de que se esté aplicando el procedimiento correcto (véase el capítulo 5.5 “Generación de presión”)
	Si no se puede detectar la causa	Enviar de vuelta la bomba para su revisión
El sistema suministra presión, pero ésta cae a un nivel inferior y permanece entonces estable.	Si no se puede detectar la causa	Enviar de vuelta la bomba para su revisión
	Daño interno	Enviar de vuelta la bomba para su revisión
	Forma de proceder incorrecta	Cerciorarse de que se esté aplicando el procedimiento correcto (véase el capítulo 5.5 “Generación de presión”)

ES

7. Mantenimiento y limpieza

7. Mantenimiento y limpieza

Personal: personal especializado

Herramientas: llave dinamométrica, pinzas, llave hexagonal de 2 mm



¡ADVERTENCIA!

Lesiones corporales, daños materiales y del medio ambiente por medios residuales

Durante el mantenimiento o la limpieza existe el peligro de que se produzcan altas presiones.

- ▶ Mantener o limpiar el sistema de medición/los dispositivos de prueba y calibración únicamente en estado despresurizado.
- ▶ Abrir la válvula de alivio de presión y conmutación (13) hasta que no quede presión en la bomba de prueba.

ES



Datos de contacto, véase el capítulo 1 “Información general” o el dorso del manual de instrucciones.

7.1 Mantenimiento

Utilizar únicamente piezas originales (véase el capítulo 10 “Accesorios”).



¡CUIDADO!

Lesiones corporales, daños materiales y del medio ambiente

Si no se pueden solucionar las averías con las medidas mencionadas, se debe poner la bomba inmediatamente fuera de servicio.

- ▶ Asegurarse que el instrumento ya no esté sometido a presión y protegerlo contra una puesta en funcionamiento accidental.
- ▶ Contactar con el fabricante.
- ▶ En caso de devolución, observar las indicaciones del capítulo 8.2 “Devolución”.

Antes de la adaptación del manómetro de referencia y el de comprobación, revisar las juntas de ambas conexiones en cuanto a asiento correcto y eventual desgaste.

⇒ En caso necesario reemplazar las juntas.

7.1.1 Mantenimiento de la válvula de retención (entrada)

Si no hay presión o resulta muy difícil aumentar la presión, la junta tórica en la válvula de retención de entrada en la parte posterior de la bomba puede estar gastada o sucia.



Incluso pequeñas impurezas en la junta tórica pueden causar fugas a bajas presiones.

7. Mantenimiento y limpieza

Para reemplazar/limpiar la junta tórica en la parte posterior, proceder de la siguiente manera:

1. Abrir el tornillo (14) en la parte posterior de la bomba.



2. Girar la bomba de prueba manual con la abertura (14) hacia abajo y golpear suavemente la carcasa de la bomba con la palma de la mano.
⇒ La válvula de retención, que consta del vástago de la válvula, la junta tórica y el resorte, cae por la abertura.



¡La válvula de retención contiene piezas muy pequeñas! ¡Para evitar una pérdida de las mismas, colocar un recipiente debajo de la bomba!

3. Limpiar la junta tórica del vástago o reemplazarla en caso de desgaste.
4. Colocar nuevamente la válvula de retención, que consta del vástago de la válvula, la junta tórica y el resorte.



¡CUIDADO!

Daños en la bomba de prueba manual debido a montaje erróneo

¡La colocación incorrecta de la válvula de retención puede dañar la bomba de prueba!

- ▶ ¡Utilizar las pinzas para colocar el vástago/resorte de la válvula!
- ▶ Golpear ligeramente el costado de la carcasa de la bomba, hasta que el vástago/resorte de la válvula quede asentado correctamente.
- ▶ ¡Prestar atención al orden correcto de los componentes (véase Fig. 1 “Colocación de la válvula de retención”)!
- ▶ ¡No confundir los tornillos las dos válvulas de retención!

7. Mantenimiento y limpieza

5. Cerrar nuevamente la abertura (14) con el tornillo (15).

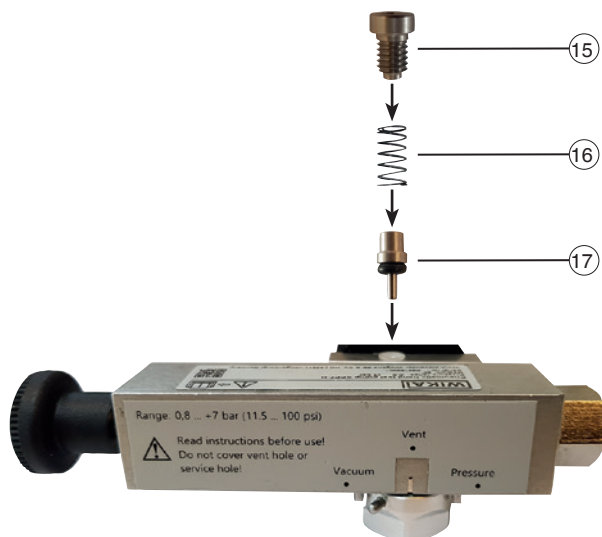


Fig. 1 - Colocación de la válvula de retención

- 15 Tornillo
- 16 Muelle
- 17 Vástago de la válvula incl. junta tórica (0,74 x 1,02 mm)

7.1.2 Mantenimiento de la válvula de retención (salida)

Si la presión cae continuamente, posiblemente esté gastada o sucia la junta tórica en la válvula de retención de salida en la parte delantera de la bomba.



Incluso pequeñas impurezas en la junta tórica pueden causar fugas a bajas presiones.

7. Mantenimiento y limpieza

Para reemplazar/limpiar la junta tórica en la parte delantera, proceder de la siguiente manera:

1. Abrir el tornillo (18) en la parte posterior de la bomba.



2. Girar la bomba de prueba manual con la abertura (18) hacia abajo y golpear suavemente la carcasa de la bomba con la palma de la mano.
⇒ La válvula de retención, que consta del vástago de la válvula, la junta tórica y el resorte, cae por la abertura.



¡La válvula de retención contiene piezas muy pequeñas! ¡Para evitar una pérdida de las mismas, colocar un recipiente debajo de la bomba!

3. Limpiar la junta tórica del vástago o reemplazarla en caso de desgaste.
4. Colocar nuevamente la válvula de retención, que consta del vástago de la válvula, la junta tórica y el resorte.



¡CUIDADO!

Daños en la bomba de prueba manual debido a montaje erróneo

¡La colocación incorrecta de la válvula de retención puede dañar la bomba de prueba!

- ▶ ¡Utilizar las pinzas para colocar el vástago/resorte de la válvula!
- ▶ Golpear ligeramente el costado de la carcasa de la bomba, hasta que el vástago/resorte de la válvula quede asentado correctamente.
- ▶ ¡Prestar atención al orden correcto de los componentes (véase Fig. 1 “Colocación de la válvula de retención”)!
- ▶ ¡No confundir los tornillos las dos válvulas de retención!

5. Cerrar nuevamente la abertura (18) con el tornillo (15).

7. Mantenimiento y limpieza / 8. Desmontaje, devolución ...

7.2 Limpieza



¡CUIDADO!

Lesiones corporales, daños materiales y del medio ambiente

Una limpieza inadecuada provoca lesiones corporales, daños materiales y del medio ambiente. Medios residuales en el instrumento desmontado pueden causar riesgos para personas, medio ambiente e instalación.

- ▶ Realizar el proceso de limpieza tal como se describe a continuación.

1. Utilizar el equipo de protección necesario.
2. Limpiar el instrumento con un trapo húmedo.

ES



¡CUIDADO!

Daño al dispositivo

¡Una limpieza inadecuada puede dañar el dispositivo!

- ▶ No utilizar productos de limpieza agresivos.
- ▶ No utilizar ningún objeto puntiagudo o duro para la limpieza.

3. Limpiar el dispositivo desmontado para proteger a las personas y el medio ambiente contra peligros por medios residuales adheridos.

8. Desmontaje, devolución y eliminación de residuos

Personal: personal especializado

Herramientas: llave dinamométrica

8.1 Desmontaje



¡ADVERTENCIA!

Lesiones corporales, daños materiales y del medio ambiente por medios residuales

Al desmontar existe el peligro debido a los medios agresivos y altas presiones.

- ▶ Enjuagar y limpiar el dispositivo desmontado (tras servicio) antes de proceder a su almacenaje para proteger a las personas y el medio ambiente de la exposición a medios adherentes.
- ▶ Desmontar el sistema de medición /los dispositivos de prueba y calibración únicamente en estado despresurizado.

1. Abrir la válvula de alivio de presión y conmutación (13) hasta que no quede presión en la bomba de prueba.
2. Desmontar el manómetro de referencia y/o el instrumento a comprobar.

8. Desmontaje, devolución y eliminación de residuos

3. Retirar las juntas utilizadas.
4. Si es necesario, desmontar de la bomba de prueba manual el adaptador y el racor en forma de T tras su uso.

8.2 Devolución

Es imprescindible observar lo siguiente para el envío del instrumento:

Todos los instrumentos enviados a WIKA deben estar libres de sustancias peligrosas (ácidos, lejías, soluciones, etc.) y, por lo tanto, deben limpiarse antes de devolver.



¡ADVERTENCIA!

Lesiones corporales, daños materiales y del medio ambiente por medios residuales

Restos de medios en la bomba de prueba manual pueden causar riesgos para personas, medio ambiente e instalación.

- ▶ En caso de sustancias peligrosas adjuntar la ficha de datos de seguridad correspondiente al medio.
- ▶ Limpiar el dispositivo, consultar el capítulo 7.2 “Limpieza”.

ES

Utilizar el embalaje original o un embalaje adecuado para la devolución del instrumento.

Para evitar daños:

1. Colocar el instrumento junto con el material aislante en el embalaje. Aislar uniformemente todos los lados del embalaje de transporte.
2. Si es posible, adjuntar una bolsa con secante.
3. Aplicar un marcado de que se trata del envío de un instrumento de medición altamente sensible.



Comentarios sobre el procedimiento de las devoluciones encuentra en el apartado “Servicio” en nuestra página web local.

8.3 Eliminación de residuos

Una eliminación incorrecta puede provocar peligros para el medio ambiente.

Eliminar los componentes de los instrumentos y los materiales de embalaje conforme a los reglamentos relativos al tratamiento de residuos y eliminación vigentes en el país de utilización.

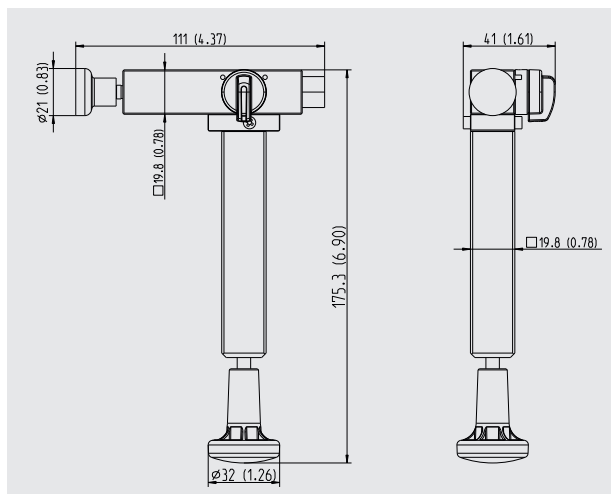
9. Datos técnicos

9. Datos técnicos

Datos técnicos	Modelo CPP7-H
Rango de presión	-0,85 ... +7 bar (-12,3 ... 101,5 psi)
Líquido de transmisión de presión	Aire
Conexiones a presión	1 conexión con rosca hembra G 1/8 en el cuerpo de la bomba, preparada para conectar el racor en forma de T con 2 mangueras y conexiones para el instrumento a comprobar, a escoger libremente
Ajuste de precisión	Válvula de regulación fina
Dimensiones (ancho x profundidad x altura)	
Sin racor en forma de T	175,3 x 111 x 41 mm (6,90 x 4,37 x 1,61 pulg)
Con racor en forma de T	175,3 x 144 x 41 mm (6,90 x 5,67 x 1,61 pulg)
Peso	
Sin racor en forma de T	293 g (0,65 lbs)
Con racor en forma de T	334 g (0,74 lbs)

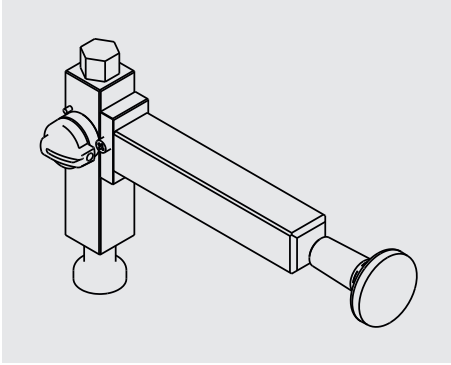
Para información sobre más datos técnicos, consulte la hoja técnica de WIKA CT 91.02 y la documentación del pedido.

Dimensiones en mm (in)



9. Datos técnicos

Vista isométrica



ES

10. Accesorios

10. Accesorios

	Código
Descripción	CPP-A-B-
 <p>Maletín de plástico incl. espuma de relleno con cavidades para modelo CPP7-H; Dimensiones (anchura x altura x profundidad): 350 x 265 x 85 mm (13,78 x 10,53 x 3,35 in)</p>	-B0-
 <p>Adaptador de conexión a manguera G ½ macho a conexión de manguera de 4 mm</p>	-B1-
 <p>Racor en forma de T 2 G ½ hembra a G ½ macho Material: latón</p>	-B2-
 <p>Adaptador de conexión G ½ hembra a G ½ hembra, material: acero inoxidable</p>	-B3-
 <p>G ½ hembra a G ¼ hembra, material: acero inoxidable</p>	-B4-
 <p>Manguera de repuesto Longitud 1 m (3,28 ft)</p>	-B5-
 <p>Valve set compuesto de 2 juntas tóricas; 2 vástagos de válvula y 2 resortes</p>	-B6-
 <p>Kit de juntas tóricas compuesto de 10 juntas de repuesto (0,74 x 1,02 mm [0,03 x 0,04 in]) para válvulas de retención, material: NBR</p>	-B7-
Datos del pedido para su consulta:	
1. Código: CPP-A-B 2. Opción:	↓ []

WIKA subsidiaries worldwide can be found online at www.wika.com.
WIKA-Niederlassungen weltweit finden Sie online unter www.wika.de.
La liste des filiales WIKA dans le monde se trouve sur www.wika.fr.
Sucursales WIKA en todo el mundo puede encontrar en www.wika.es.



WIKAI Alexander Wiegand SE & Co. KG
Alexander-Wiegand-Straße 30
63911 Klingenberg • Germany
Tel. +49 9372 132-0
Fax +49 9372 132-406
info@wika.de
www.wika.de