

Differential pressure gauge with micro switches,
model DPGS40TA, with component testing

EN

Differenzdruckmanometer mit Mikroschaltern,
Typ DPGS40TA, mit Bauteilprüfung

DE

Manomètre différentiel avec microrupteurs,
type DPGS40TA, avec test des composants

FR

Manómetro diferencial con microswitch,
modelo DPGS40TA, con prueba de componentes

ES

CE

DELTA-comb



Example, model DPGS40TA with
stainless steel measuring chamber



Example, model DPGS40TA with
aluminium measuring chamber

EN	Operating instructions for differential pressure gauge, model DPGS40TA	Page	3 - 30
DE	Betriebsanleitung für Differenzdruckmanometer, Typ DPGS40TA	Seite	31 - 58
FR	Mode d'emploi pour manomètre différentiel, type DPGS40TA	Page	59 - 86
ES	Manual de instrucciones para manómetro diferencial, modelo DPGS40TA	Pagina	87 -114

© 08/2015 WIKA Alexander Wiegand SE & Co. KG
All rights reserved. / Alle Rechte vorbehalten.
WIKA® is a registered trademark in various countries.
WIKA® ist eine geschützte Marke in verschiedenen Ländern.

Prior to starting any work, read the operating instructions!
Keep for later use!

Vor Beginn aller Arbeiten Betriebsanleitung lesen!
Zum späteren Gebrauch aufbewahren!

Lire le mode d'emploi avant de commencer toute opération !
A conserver pour une utilisation ultérieure !

¡Leer el manual de instrucciones antes de comenzar cualquier trabajo!
¡Guardar el manual para una eventual consulta!

Contents

1. General information	4
2. Safety	5
2.1 Intended use	5
2.2 Additional instructions for operation as a flow limiter	6
2.3 Functional safety of the SIL version	8
2.4 Personnel qualification	14
2.5 Special hazards	14
2.6 Labelling, safety marking.	15
3. Specifications	17
4. Design and function	20
4.1 Description	20
4.2 Scope of delivery	20
5. Transport, packaging and storage	21
5.1 Transport	21
5.2 Packaging.	21
5.3 Storage	21
6. Commissioning, operation	22
6.1 Mechanical connection	22
6.2 Electrical connection	25
6.3 Commissioning	28
7. Options and accessories	28
7.1 4-way valve manifold	28
7.2 Panel mounting flange	29
8. Maintenance	30
9. Dismounting, return and disposal	30
9.1 Dismounting	30
9.2 Return	30
9.3 Disposal	30
Annex 1: DNV certificate	115
Annex 2: SIL certificate	117
Annex 3: TÜV certificate “Flow 100”	119
Annex 4: Declaration of conformity, models DPS40, DPGS40, DPGS40TA	120
Annex 5: Declaration of conformity, model DPGS40TA.100-*S*	122

Declarations of conformity can be found online at www.wika.com.

1. General information

- The instrument described in the operating instructions has been designed and manufactured using state-of-the-art technology. All components are subject to stringent quality and environmental criteria during production. Our management systems are certified to ISO 9001 and ISO 14001.
- These operating instructions contain important information on handling the instrument. Working safely requires that all safety instructions and work instructions are observed.
- Observe the relevant local accident prevention regulations and general safety regulations for the instrument's range of use.
- The operating instructions are part of the product and must be kept in the immediate vicinity of the instrument and readily accessible to skilled personnel at any time.
- Skilled personnel must have carefully read and understood the operating instructions prior to beginning any work.
- In case of a different interpretation of the translated and the English operating instructions, the English wording shall prevail.
- The general terms and conditions contained in the sales documentation shall apply.
- Subject to technical modifications.
- Calibration certificates are issued in accordance with international standards.
- Further information:
 - Website: www.wika.de / www.wika.com
 - Corresponding data sheets: PV 27.22

Explanation of symbols



WARNING!

... indicates a potentially dangerous situation that can result in serious injury or death, if not avoided.



Information

... points out useful tips, recommendations and information for efficient and trouble-free operation.

2. Safety



WARNING!

Before installation, commissioning and operation, ensure that the appropriate differential pressure gauge has been selected in terms of measuring range, design and specific measuring conditions.

Check the compatibility with the medium of the materials subjected to pressure!

In order to guarantee the measurement accuracy and long-term stability specified, the corresponding load limits must be observed.

Only work on the instrument with the voltage disconnected.

Non-observance can result in serious injury and/or damage to the equipment.



Further important safety instructions can be found in the individual chapters of these operating instructions.

2.1 Intended use

The differential pressure measuring instruments of the DELTA-line product family are primarily used for the monitoring and control of low differential pressures where there are high requirements in terms of one-sided overpressure and static pressure.

Typical markets for these products are the shipbuilding industry, process heating technology, the heating, ventilation and air-conditioning industries, the water/wastewater industry, and machine building and plant construction. For these, the main function of the measuring instruments is the monitoring and control of filters, compressors and pumps.

Solely model DPGS40TA.100-*S* is suitable for operation as a flow limiter due to its TÜV certificate. See chapter 2.2 "Additional instructions for operation as a flow limiter".

The instrument has been designed and built solely for the intended use described here, and may only be used accordingly.

The manufacturer shall not be liable for claims of any type based on operation contrary to the intended use.

2.2 Additional instructions for operation as a flow limiter

This chapter only applies to model DPGS40TA.100-*S*.

EN Regulations for pressure equipment

- Instrument type: Safety accessory
- Media: Liquid or gaseous, group 1 (hazardous)
- For maximum allowable pressure PS, see chapter 2.6 “Labelling, safety marking”
- Volume of wetted parts: < 0.1 L

2.2.1 Test principles for flow component test

- VdTÜV code of practice “Flow 100”, edition 2017-03-15, in conjunction with VdTÜV code of practice “General guidelines 002”, edition 2019-02-22
- Essential safety requirements of directive 2014/68/EU from 15 May 2014 (Pressure Equipment Directive)

2.2.2 Restrictions

1. For the switch contacts, dimension and install a fuse with 0.6 times the nominal current.
2. The maximum current load of the switch contacts must not exceed AC 1.4 A and DC 0.4 A.

2.2.3 Comments

1. Use as a limiter. Connect an external interlock downstream as a limiter, which fulfils the requirements in accordance with VdTÜV code of practice “Flow 100”, edition 2017-03-15, sections 3.9, 5.4.1 and 5.6.
2. Follow the manufacturer's commissioning instructions.
3. IP ingress protection at supply line gland. Take care that the supply cable used has a diameter that does not reduce the IP ingress protection of the cable gland.
4. Follow the manufacturer's installation instructions.

2.2.4 Special responsibilities for testing before commissioning

1. The requirements of sections “2.2.2 Restrictions” to “2.2.4 Special responsibilities for testing before commissioning” shall be reviewed.
2. Carry out functional test of the installed instruments. For limiters carry out additional control of the downstream interlock circuit.
3. Follow the general technical regulations for pressure measuring instruments (e.g. EN 837-2 “Selection and installation recommendations for pressure gauges”).

2. Safety

4. Mount pressure connections in accordance with affixed symbols: \oplus high pressure, \ominus low pressure.
5. Mount the instrument by means of a rigid measuring line or use wall mounting with existing mounting links.
6. Process connections 2 x G 1/4 female thread, lower mount, in-line, centre distance 26 mm, operating position NP 90 (nominal position) per DIN 16257 (i.e. vertical dial), design the threads of the connection shanks preferably in accordance with EN 837-3 (section 7.3.2).
7. Prior to the installation of the instrument, clean the measuring lines thoroughly by tapping and blowing or flushing.
8. Protect measuring instruments from contamination and high temperature fluctuations.
9. The pressure gauge must be mounted free from vibration and should be aligned so that it is easy to read. It is recommended that a shut-off device is interposed between the pressure tapping point and the instrument, which will enable the replacement of the instrument and a zero point check while the plant is running. Protect the instrument against coarse dirt and wide fluctuations in ambient temperature.
10. For sealing the connections, use flat gaskets, lens-type sealing rings or WIKA profile seals. Connections with LH-RH adjusting nut or union nut enable the positioning of the instrument for better readability. For the mounting or dismounting of the instrument, the required force must not be introduced via the case, but only on the spanner flats of the connection!

EN

2.3 Functional safety of the SIL version

2.3.1 General information

EN The following information on functional safety is valid in conjunction with the other parts of these operating instructions and with the documents mentioned in chapter 2.3.2 "Other applicable instrument documentation".

The operating instructions contain important information on handling the DPGS40TA.100-xxS differential pressure gauge. Working safely requires that all safety instructions and work instructions are observed.



Only model DPGS40TA.100-xxS is suitable for operation in safety-related applications!

The marking on the product label for the instruments with SIL version is shown in the following illustrations.

2.3.2 Other applicable instrument documentation

In addition to this section, the other parts of these operating instructions, 14106549, for model DPGS40TA.100-xxS, the data sheet PV 27.22 and the certificate 968/V 1169.01/21 (see Annex 2) also apply.

2.3.3 Relevant standards

Standard	Title
IEC 61508 edition 2.0	Functional safety of safety-related electrical/electronic/programmable electronic systems
IEC 61511 edition 1.0	Functional safety – Safety instrumented systems for the process industry
ISO EN 13849-1:2008	Safety of machinery – Safety-related components of control systems – Part 1: General principles for design

2.3.4 Abbreviations

Abbreviation	Description
$\lambda_S + \lambda_D$	λ_S safe + λ_D dangerous Sum of all mean failure rates for the system. A safe failure occurs if, during this, the measuring system remains in a functioning state or the failure detection is signalled by an alarm. A failure to danger occurs if the measuring system, through this, can switch into a dangerous or functionally inoperable condition.
λ_{DD}	λ_{DD} dangerous detected With detected failures to danger, the failure is detected by diagnostic tests or proof testing, for example, where the system switches to the safe state.
λ_{DU}	λ_{DU} dangerous undetected With undetected failures to danger, the failure is not detected through diagnostic tests.
Operating mode with low demand rate	In this operating mode, the safety function of the safety system is only carried out on request. The frequency of the request is no more than once a year.
Operating mode with high demand rate	In this operating mode, the safety function of the safety system is only carried out on request. The frequency of the request is more than once a year.
DC	Diagnostic coverage Percentage of failures to danger that are detected by automatic diagnostic online tests.
HFT	Hardware fault tolerance Capability of a functional unit to continue the execution of the demanded function when faults or deviations exist.
SIL	Safety integrity level The international standard IEC 61508 defines four discrete safety integrity levels (SIL 1 to SIL 4). Each level corresponds to a range of probability with which a safety-related system performs the specified safety functions in accordance with the requirements. The higher the safety integrity level of the safety-related system, the greater the probability that the safety function is executed.

2. Safety

Abbreviation	Description
PL	Performance level; The international standard EN ISO 13849 1 defines five discrete performance levels (PL a to PL e). Each level corresponds to an ability of safety-related parts of control systems to perform a safety function under foreseeable conditions.
MooN (M out of N) architecture	The architecture describes the specific configuration of hardware and software in a system. N is the number of parallel channels and M defines how many channels must be working correctly.
PFD_{avg}	Average probability of a dangerous failure on demand of the safety function in the operating mode with low demand rate
T_i or T_{proof}	Interval of the proof tests (in hours, typically one year (8,760 h)). Following this interval, the proof test will be carried out.
PFH_D	Average frequency of a dangerous failure on demand of the safety function in the operating mode with high demand rate
SFF	Safe failure fraction
MTTF_D	Mean time to a failure to danger
B_{10d}	Number of cycles till 10 % of the components have failed dangerously
n_{op}	Average number of operations per year
β factor	Factor for failure due to common causes, in terms of the interaction of several channels

EN

2.3.5 Intended use in safety applications

All safety functions relate exclusively to the switching function of the instrument. The display of the differential pressure is not part of the safety function. The instrument is suitable for use in single-channel safety-related systems in accordance with IEC 61508 and IEC 61511 up to SIL 2. In a redundant configuration (HFT ≥ 1), the instruments can be used in a redundant design up to SIL 3. The instrument is suitable for use in single-channel safety-related systems in accordance with ISO 13849 up to PL d. In a redundant configuration (HFT ≥ 1), the instrument can be used up to PL e, if a sufficient external diagnosis is implemented (DC low for PL d / medium for PL e).



WARNING!

The safety-related values of the instrument must be compared, for the appropriate usage case, with the requirements of the application.

The specific parameters should always be considered with respect to the expected switching frequency.

2.3.6 Restrictions to operating mode



WARNING!

Under the following operating conditions, the safety function of the instrument is not guaranteed:

- During the setting of the switch points

2.3.7 Safety function

The safety function of the instrument is that, on falling differential pressure, the respective switch(es) will open. Use the change-over contacts so that the circuit opens on falling differential pressure (observe the closed-circuit principle).

2.3.8 Accuracy of the safe switching function

The following information on the total safety accuracy contains:

- Basic accuracy (measuring deviation, linearisation error)
- Influence of the ambient temperature in the range $-10\text{ °C} \dots +70\text{ °C}$
- Influence of up to 259,835 load cycles

The total safety accuracy is $-12\% \dots +8\%$ of the measuring span for the differential pressure.

2.3.9 Operating limits

Operating pressure: See dial

Differential pressure: See dial

Ambient temperature: $-10 \dots +70\text{ °C}$ (operation)

Ambient temperature: $-40 \dots +70\text{ °C}$ (storage)

Medium temperature: $-10 \dots +90\text{ °C}$

(The temperature at the instrument must not exceed 70 °C)

2.3.10 Configuration changes

The setting of the switch points is made at the factory in accordance with the ordering information. Check switch points after a change by the operator. Update the marking for example using a suitable sticker. Secure the instrument against change of the switch points through the provided lead sealing of the setting elements.



WARNING!

After each configuration procedure, check the safety function by testing it.

2.3.11 Commissioning

All applications

Check operability of the switching function of the differential pressure gauge DPGS40TA.100-xxS during commissioning and at reasonable intervals. Both the nature of the testing as well as the chosen intervals are the responsibility of the user.

Additional note for applications with low demand rate

The interval for the proof test usually conforms to the PFD_{avg} value given in the standard. Normally the proof test takes place every year, see certificate 968/V 1169.01/21.

2.3.12 Proof test of the safety function

Through a test of the entire safety function, check whether the switch is operating correctly.

2.3.13 Information on the determination of safety-relevant parameters

The failure rates of the instruments were determined through the use of statistical methods in accordance with IEC 61508 on the basis of a type test for the DPGS40TA.100-xxS.

The instrument is designed for applications with low or high demand rates.



WARNING!

The maximum operating life of a safety-related system is 5 years, plus a 1.5 year reserve. Any longer operating life is the responsibility of the operator.

2.3.14 Instrument-specific safety-related parameters

The safety-related parameters for the operation in safety integrated systems in accordance with IEC 61508, IEC 61511 and ISO 13849 are to be taken from the certificate 968/V 1169.01/21, see Annex 2 of these operating instructions.

2.3.15 Decommissioning the instrument



WARNING!

Ensure instruments that have been taken out of service are not accidentally recommissioned (e.g. through marking the instrument). After replacing the instrument, carry out a function test of the entire safety function (safety loop) to check whether the safety function of the system is still guaranteed. Function tests are intended to demonstrate the correct function of the whole safety-related system, including all instruments (sensor, logic unit, actuator).

2.4 Personnel qualification

EN



WARNING!

Risk of injury should qualification be insufficient!

Improper handling can result in considerable injury and damage to equipment.

- The activities described in these operating instructions may only be carried out by skilled personnel who have the qualifications described below.

Skilled personnel

Skilled personnel are understood to be personnel who, based on their technical training, knowledge of measurement and control technology and on their experience and knowledge of country-specific regulations, current standards and directives, are capable of carrying out the work described and independently recognising potential hazards.

2.5 Special hazards



WARNING!

For hazardous media such as flammable or toxic gases or liquids, and refrigeration plants, compressors, etc., in addition to all standard regulations, the appropriate existing codes or regulations must also be followed.



WARNING!

Residual media in dismantled measuring instruments can result in a risk to persons, the environment and equipment.
Take sufficient precautionary measures.

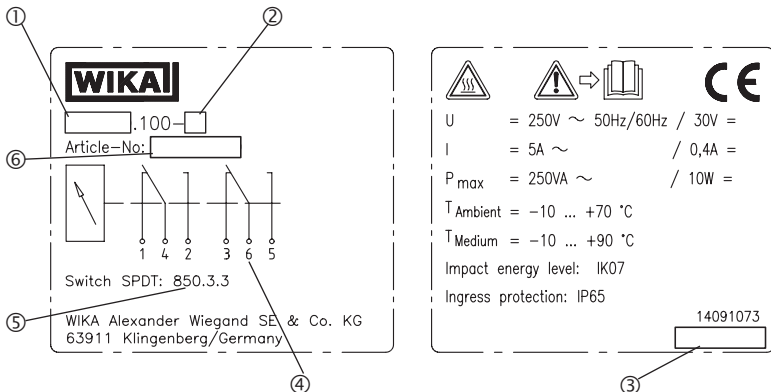


WARNING!

The maximum surface temperature of the instrument may not exceed the ignition temperature of flammable media.
Take sufficient precautionary measures.

2.6 Labelling, safety marking

Product label



Dial (example)



- ① Model DPGS40TA
- ② Code 1st digit: E = Single microswitch 850.3
D = Double microswitch 850.3.3
2nd digit: S = Flow limiter, see chapter 2.2 "Additional instructions for operation as a flow limiter"
3rd digit: S = SIL version
- ③ Date of manufacture
- ④ Pin assignment
- ⑤ Contact type
- ⑥ Article number
- ⑦ Maximum allowable pressure PS per European Pressure Equipment Directive
- ⑧ Serial number

Explanation of symbols



Before mounting and commissioning the instrument, ensure you read the operating instructions!

EN



Risk of burns!

Potentially dangerous situation caused by hot surfaces.

Due to the maximum permissible process temperature of 90 °C, measuring cells, adapters, valves or other attachment parts can reach a temperature of 90 °C.

3. Specifications

3. Specifications

The insulation values (air gaps and creepage distances) are sized for the following ambient conditions in accordance with EN 61010-1:2010:

- Altitude up to 2,000 m
- Overvoltage category II
- Pollution degree 2
- Relative humidity 0 ... 95 % non-condensing (per DIN 40040)

The strength of the measuring instruments (enclosing non-metallic components) was tested with a reduced impact energy of 2 J corresponding to IK07 per EN 61010-1:2010. The IK code is included on the respective product label.

EN

Specifications

Nominal size	Differential pressure indication: Ø 100 mm Operating pressure indication: Ø 22 mm
Accuracy	Differential pressure indication: ≤ 2.5 % of span (Option ≤ 1.6 %) Operating pressure indication: ≤ 4 % of span
Scale ranges (EN 837)	Differential pressure: 0 ... 0.25 up to 0 ... 10 bar Operating pressure: 0 ... 25 bar
Max. operating pressure (stat.)	25 bar
Overload safety	Max. 25 bar On one, both and alternatingly on the ⊕ and ⊖ side
Permissible temperatures	Ambient: -10 ... +70 °C, medium: -10 ... +90 °C Storage: -40 ... +70 °C
Ingress protection	IP65 per IEC/EN 60529
Media chamber (wetted)	Aluminium, EN AC-Al Si9Cu3(Fe), black lacquered (Option: Stainless steel)
Process connections (wetted)	2 x G 1/4 female, lower mount (LM), in-line, centre distance 26 mm
Pressure elements (wetted)	Differential pressure: Compression springs from stainless steel 1.4310 and separating diaphragm from FPM/FKM (Option: NBR) Operating pressure: Bourdon tube from Cu-alloy
Transmission parts (wetted)	Stainless steel 1.4301, 1.4305, 1.4310, FPM/FKM (Option: NBR)
Seals (wetted)	FPM/FKM (Option: NBR)
Movement	Copper alloy

3. Specifications

Specifications

Dial	Differential and operating pressure indication: White dial, black lettering
Pointer	Differential and operating pressure indication: Blue pointer
Zero adjustment for differential pressure indication	Via screw in the dial
Case	Aluminium, EN AC–Al Si9Cu3(Fe), black lacquered
Window	Plastic, with plug screw for zero and switch point adjustment (option: lead sealing of the settings)

Electrical contact

Type of contact	Microswitch
Contact function Single change-over Double change-over	Contact type 850.3 Contact type 850.3.3
Load data U max., I max., P max.	AC 250 V, 5 A ¹⁾ , 250 VA DC 30 V, 0.4 A, 10 W
Switch point setting	From the outside at assistant scale by means of adjustment screw(s)
Setting range	From 10 % to 100 % of the full scale value
Switch point reproducibility	≤ 1.6 %
Switch hysteresis	Max. 5 % of the full scale value (option: max. 2.5 %)
Electrical connection	Cable gland M20 x 1.5 with 1 m free cable

1) I max. = 1.4 A for designs in accordance with VdTÜV code of practice "Flow 100"

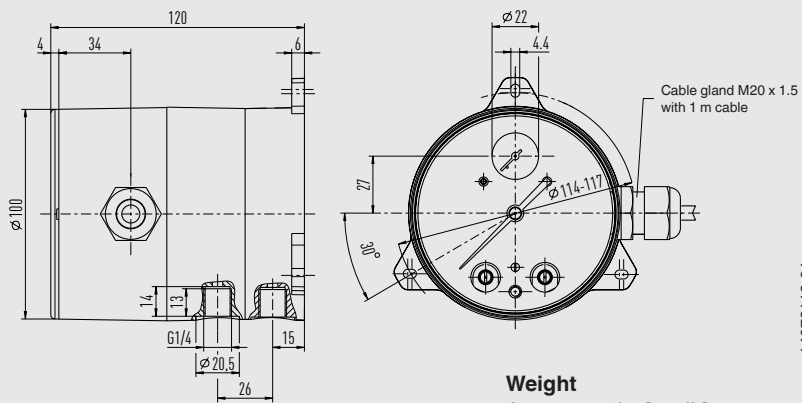
For further specifications, see the corresponding product label, WIKA data sheet and order documentation.

For models with optional explosion protection read the "Additional information for hazardous areas (Ex i), models DPS40, DPGS40, DPGS40TA und DPGT40", article number 14110818.

3. Specifications

Dimensions in mm

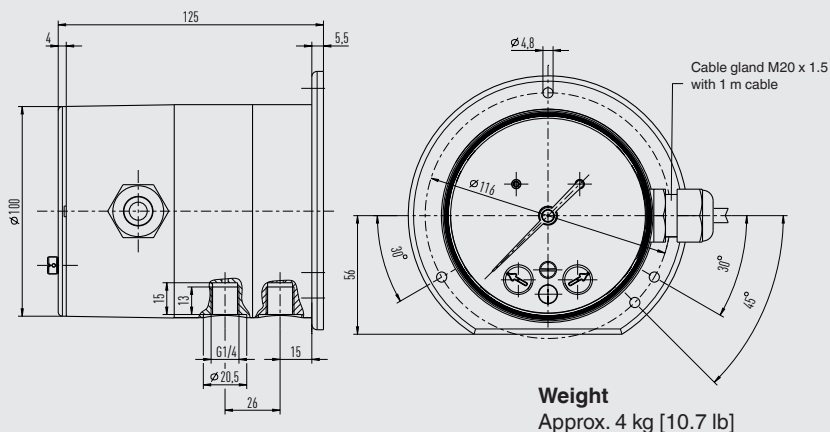
With aluminium measuring chamber



Weight

Approx. 1.4 kg [3.8 lb]

With stainless steel measuring chamber



Weight

Approx. 4 kg [10.7 lb]

4. Design and function

4. Design and function

4.1 Description

EN

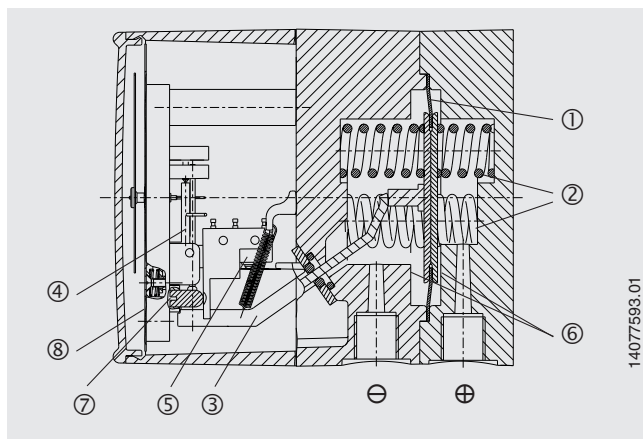
Pressures p_1 and p_2 act on the media chambers \oplus and \ominus , which are separated by an elastic diaphragm (1).

The differential pressure ($\Delta p = p_1 - p_2$) leads to an axial deflection of the diaphragm against the measuring range springs (2).

The deflection, which is proportional to the differential pressure, is transmitted to the movement (4) in the indicator case and to the leaf springs of the microswitches (5) via a pressure-tight and low friction rocker arm (3).

Overpressure safety is provided by metal bolsters (6) resting against the elastic diaphragm.

The setting of the switch point is made by the adjustment screws accessible from the front (7). The assistant scales (8) simplify the setting of the switch points.



4.2 Scope of delivery

Cross-check scope of delivery with delivery note.

5. Transport, packaging and storage

5.1 Transport

Check the differential pressure gauge for any damage that may have been caused by transport. Report obvious damage immediately.

5.2 Packaging

Do not remove packaging until just before mounting.

Keep the packaging as it will provide optimum protection during transport (e.g. change in installation site, sending for repair).

5.3 Storage

Permissible conditions at the place of storage

Storage temperature: -40 ... +70 °C

In order to prevent damage, the following points should be noted for the storage of the instruments:

- Leave the instruments in their original packaging
- Following any possible removal of the measuring instruments, e.g. for testing, the instrument should again be stored in its original packaging

Avoid exposure to the following factors:

- Direct sunlight or proximity to hot objects
- Mechanical vibration, mechanical shock (putting it down hard)
- Soot, vapour, dust, humidity and corrosive gases
- Hazardous environments, flammable atmospheres



WARNING!

Before storing the instrument, any residual media must be removed. This is of particular importance if the medium is hazardous to health, e.g. caustic, toxic, carcinogenic, radioactive, etc.

6. Commissioning, operation

6.1 Mechanical connection

EN

- In accordance with the general technical regulations for pressure gauges (e.g. EN 837-2 "Selection and installation recommendations for pressure gauges").
- Mount pressure connections in accordance with affixed symbols: \oplus high pressure, \ominus low pressure.
- Process connections 2 x G 1/4 female thread, lower mount, in-line, centre distance 26 mm, operating position NP 90 (nominal position) per DIN 16257 (i.e. vertical dial), design the threads of the connection shanks preferably in accordance with EN 837-3 (section 7.3.2).
- Prior to the installation of the instrument, clean the measuring lines thoroughly by tapping and blowing or flushing.
- Protect the measuring instruments from contamination and high temperature changes!
- Mount the instrument free from vibration and make alignment so that it is easy to read. It is recommended that a shut-off device is interposed between the pressure tapping point and the instrument, which will enable the replacement of the instrument and a zero point check while the plant is running. Protect the instrument against coarse dirt and wide fluctuations in ambient temperature.
- For sealing the connections, use flat gaskets, lens-type sealing rings or WIKA profile seals. Connections with LH-RH adjusting nut or union nut enable the positioning of the instrument for better readability. For the mounting or dismantling of the instrument, the required force must not be introduced via the case, but only on the spanner flats of the connection nozzle!

Wall mounting

Mounting using three integrally cast mounting lugs

Temperature load



WARNING!

Ensure in the final application, that the instrument, even with medium temperatures $> 70\text{ }^{\circ}\text{C}$, is not heated to over $70\text{ }^{\circ}\text{C}$. Make sure that the permissible operating temperature of the measuring instrument during mounting is maintained, considering the influence of convection and thermal radiation!

Protect the instrument and the shut-off valve by using sufficiently long measuring lines or syphons.

Observe the influence of temperature on the indication and measurement accuracy.



The effective maximum surface temperature is not only dependant upon these instruments, but mainly on the respective medium temperature! With gaseous substances, the temperature may increase as a result of compression warming.







In these cases it may be necessary to throttle the rate of change of pressure or reduce the permissible medium temperature.

6. Commissioning, operation

Measuring assemblies

Proven measuring assemblies for various types of media. The assemblies that are particularly recommended for use are shown below.

EN

Filling of the measuring line	Liquid media			Gaseous media		
	Liquid	Liquid with vapour	Completely vapourised	Gaseous	Partially condensed (damp)	Completely condensed
Examples	Condensate	Boiling liquids	"Liquid gases"	Dry air	Moist air Flue gases	Steam
Pressure gauge above the tapping point						
Pressure gauge below the tapping point						

Measuring assemblies

The preferred measuring assemblies for various possible applications are specified in DIN 19216.

The following schematic diagram shows a recommended assembly for liquid media. As throttling devices, differential pressure transducers should be provided in accordance with DIN 1952 (issue 07.82), now replaced by EN 5167/1.

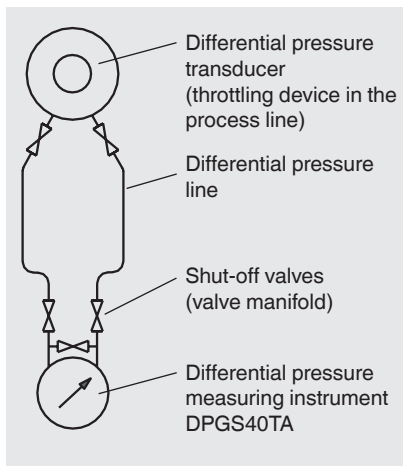
EN

Ensure that the differential pressure lines are made of metal, that the bore is not less than 4 mm and the effective length between the valve manifold and the differential pressure measuring instrument is at least 500 mm.

The length and the bore of the differential pressure lines are to be dimensioned in such a way that, on cold lines, the response time of the effective pressure measuring instrument is not more than 5 seconds.

Ensure that the connections of the differential pressure lines are welded, brazed or screwed using metal sealing elements.

The only way to actuate the shut-off devices in differential pressure lines is with tools.



6.2 Electrical connection

- The electrical connection must only be made by qualified skilled personnel.
- Connection details and switching functions are given on the product label. Connection terminals are appropriately marked.
- Rate mains connection cables for the maximum current consumption of the appliance and comply with the specifications of IEC 227 or IEC 245.
- Include instruments in the equipotential bonding of the plant.

For performance data, see chapter 3 “Specifications”

Safety instructions for installation



- Follow the installation and safety instructions within the operating instructions.
- Install instruments in accordance with the manufacturer's instructions and the valid standards and regulations.

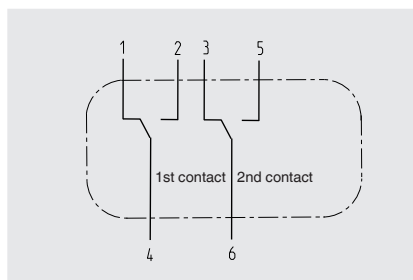
- The instruments do not provide for incorporated overcurrent protectors!
- Implement suitable protective systems, in order to prevent the contacts from welding through overload!
- Only connect circuits with the same voltage and protection class to the switch contacts and connecting cables.
- Limit the maximum current, using external measures, to a value of AC 250 V, 5 A ¹⁾, with resistive load, per circuit.
- Size the connecting cables for the largest current strength in the circuits.

1) Deviating current limitation $I_{max.} = 1.4 A$ for designs in accordance with VdTÜV code of practice "Flow 100"

The exact information for the pin assignment and the required power supply are stated on the product label on the case circumference. Examples of pin assignments are shown below.

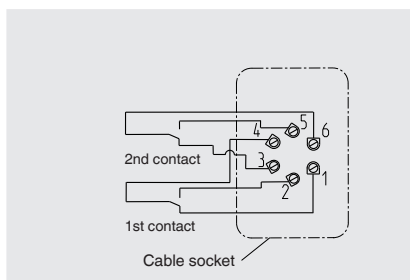
Example, pin assignment 1:

Cable gland and cable



Example, pin assignment 2:

Cable socket or angular connector per DIN 43651

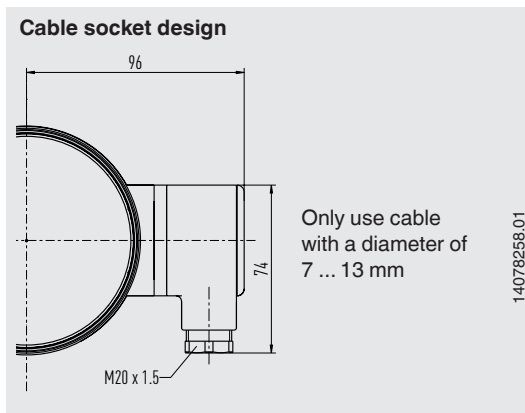


For the safety circuit, which will switch off the heating if the steam generator falls below the minimum flow, only the normally open contact of the change-over contact should be connected (i.e. with $\Delta p = 0$ open circuit)!

6. Commissioning, operation

- Voltages greater than AC 50 V or DC 75 V:
 - Do not connect circuits simultaneously with extra-low voltage circuits or with safety extra-low voltage (SELV) or protective extra-low voltage (PELV).
 - Circuits must offer a device, external to the measuring instrument, that enables the instrument to be isolated from the electrical supply. This must be easily accessible and be marked as the isolation device for the instrument.
 - Cables for the circuit must fulfil the isolation requirements and conform to, for example, IEC 60227 or IEC 60245.
- With flexible connecting cables, use isolated end splices.
- Connecting cables must be suited to the ambient temperature range of the application.
- Seal the cable entry with the appropriate approved cable glands.

EN



- Install the connection cables securely.

Switch point and zero point setting

The switch point and zero point setting is made by adjustment screws in the front, which are accessible by loosening the plug screws.

EN

By turning the adjustment screw using a screwdriver the desired zero point is set.

The switch points are set at the factory when the set points are given. An assistant scale simplifies the setting of the switch point.

If an accurate switch point setting is required, a reference standard should be used for the adjustment.



Plug screws must be refitted following switch or zero point setting, as otherwise, the stated ingress protection will not be maintained.

6.3 Commissioning

Avoid pressure surges during the commissioning process at all costs. Open the shut-off valves slowly.

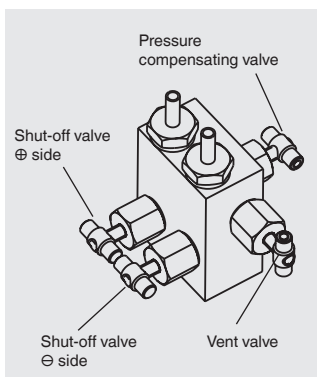
7. Options and accessories

7.1 4-way valve manifold

- Shuts off the \oplus and \ominus process lines for **removing** or **testing** the measuring instrument without interrupting the running process operation.

Protection of the instrument against excessive overpressure loading, such as in pressure tests and undefined operating conditions (including intermittent shutdown).

- Pressure compensation for **zero point checking** with running processes, and avoiding one-sided overpressure loading during start-up and operation phases (with opened pressure compensating valve).
- **Venting** the measuring lines with liquid media and **flushing** of the measuring lines, in order to remove contamination.

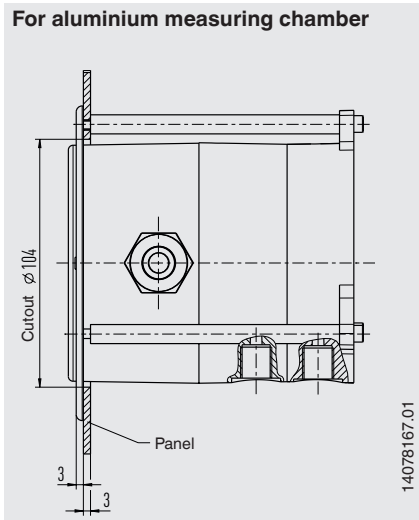


Specifications for handling

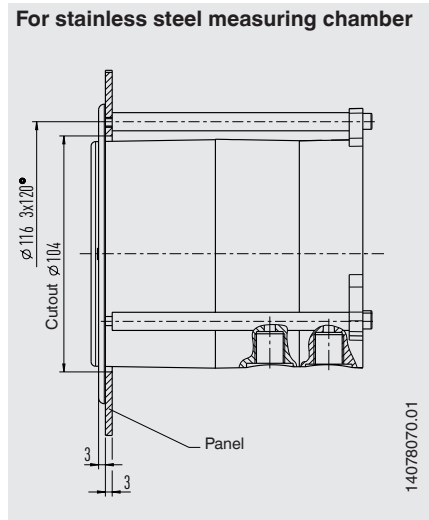
- Sequence of operations to **start measurement**
 1. Open the pressure compensating valve (middle valve spindle)
 2. Open the shut-off valve for the negative media chamber (\ominus , right-hand valve) and the positive media chamber (\oplus , left-hand valve)
 3. Close the pressure compensating valve
- Sequence of operations to **flush/vent** the measuring lines
 1. Start: Open the shut-off valve for the \oplus and \ominus media chamber, open the pressure compensating valve and vent valve
 2. Finish: Close the pressure compensating valve and vent valve
- Sequence of operations to finish measurement (also temporary shutdown)
 1. Open the pressure compensating valve
 2. Close the shut-off valve for the \oplus and \ominus media chamber
- Sequence of operations to dismount the measuring instrument with a running process
 1. Close the shut-off valve for the \oplus and \ominus media chamber
 2. Open the vent valve

7.2 Panel mounting flange

For aluminium measuring chamber



For stainless steel measuring chamber



8. Maintenance

The instruments are maintenance-free.

The indicator and switching function should be checked once or twice every year. For this the instrument must be disconnected from the process to check with a pressure testing device.

Repairs must only be carried out by the manufacturer.

9. Dismounting, return and disposal



WARNING!

Residual media in dismantled measuring instruments can result in a risk to persons, the environment and equipment. Take sufficient precautionary measures.

9.1 Dismounting

Only disconnect the measuring instrument once the system has been depressurised and the power disconnected!

If necessary, the measuring line must have strain relief.

9.2 Return

Wash or clean the dismantled measuring instrument before returning it, in order to protect personnel and the environment from exposure to residual media.

9.3 Disposal

Incorrect disposal can put the environment at risk. Dispose of instrument components and packaging materials in an environmentally compatible way and in accordance with the country-specific waste disposal regulations.

Inhalt

1. Allgemeines	32
2. Sicherheit	33
2.1 Bestimmungsgemäße Verwendung	33
2.2 Zusatzhinweise für den Einsatz als Strömungsbegrenzer.	34
2.3 Funktionale Sicherheit der SIL-Ausführung	36
2.4 Personalqualifikation	42
2.5 Besondere Gefahren	42
2.6 Beschilderung, Sicherheitskennzeichnungen.	43
3. Technische Daten	45
4. Aufbau und Funktion	48
4.1 Beschreibung	48
4.2 Lieferumfang.	48
5. Transport, Verpackung und Lagerung	49
5.1 Transport	49
5.2 Verpackung	49
5.3 Lagerung	49
6. Inbetriebnahme, Betrieb	50
6.1 Mechanischer Anschluss	50
6.2 Elektrischer Anschluss	53
6.3 Inbetriebnahme	56
7. Optionen und Zubehör	56
7.1 Vierfach-Ventilblock	56
7.2 Befestigungsrand für Schalttafelmontage	57
8. Wartung	58
9. Demontage, Rücksendung und Entsorgung	58
9.1 Demontage	58
9.2 Rücksendung	58
9.3 Entsorgung	58
Anhang 1: DNV-Zertifikat	115
Anhang 2: SIL-Zertifikat	117
Anhang 3: VdTÜV-Bescheinigung „Strömung 100“	119
Anhang 4: Konformitätserklärung, Typen DPS40, DPGS40, DPGS40TA	120
Anhang 5: Konformitätserklärung, Typ DPGS40TA.100-*S*	122

Konformitätserklärungen finden Sie online unter www.wika.de.

1. Allgemeines

- Das in der Betriebsanleitung beschriebene Gerät wird nach dem aktuellen Stand der Technik konstruiert und gefertigt. Alle Komponenten unterliegen während der Fertigung strengen Qualitäts- und Umweltkriterien. Unsere Managementsysteme sind nach ISO 9001 und ISO 14001 zertifiziert.
- Diese Betriebsanleitung gibt wichtige Hinweise zum Umgang mit dem Gerät. Voraussetzung für sicheres Arbeiten ist die Einhaltung aller angegebenen Sicherheitshinweise und Handlungsanweisungen.
- Die für den Einsatzbereich des Geräts geltenden örtlichen Unfallverhütungsvorschriften und allgemeinen Sicherheitsbestimmungen einhalten.
- Die Betriebsanleitung ist Produktbestandteil und muss in unmittelbarer Nähe des Geräts für das Fachpersonal jederzeit zugänglich aufbewahrt werden. Betriebsanleitung an nachfolgende Benutzer oder Besitzer des Geräts weitergeben.
- Das Fachpersonal muss die Betriebsanleitung vor Beginn aller Arbeiten sorgfältig durchgelesen und verstanden haben.
- Bei unterschiedlicher Auslegung der übersetzten und der englischen Betriebsanleitung ist der englische Wortlaut maßgebend.
- In diesem Dokument wird zur besseren Lesbarkeit das generische Maskulinum verwendet. Weibliche und anderweitige Geschlechteridentitäten werden dabei ausdrücklich eingeschlossen.
- Es gelten die allgemeinen Geschäftsbedingungen in den Verkaufsunterlagen.
- Technische Änderungen vorbehalten.
- Kalibrierzertifikate werden nach internationalen Normen erstellt.
- Weitere Informationen:
 - Internet-Adresse: www.wika.de / www.wika.com
 - zugehörige Datenblätter: PV 27.22

Symbolerklärung



WARNUNG!

... weist auf eine möglicherweise gefährliche Situation hin, die zum Tod oder zu schweren Verletzungen führen kann, wenn sie nicht gemieden wird.



Information

... hebt nützliche Tipps und Empfehlungen sowie Informationen für einen effizienten und störungsfreien Betrieb hervor.

2. Sicherheit



WARNUNG!

Vor Montage, Inbetriebnahme und Betrieb sicherstellen, dass das richtige Differenzdruckmessgerät hinsichtlich Ausführung und spezifischen Messbedingungen ausgewählt wurde.

Verträglichkeit der druckbelasteten Werkstoffe mit dem Messstoff prüfen!

Die Belastungsgrenzen sind einzuhalten, um die Messgenauigkeit und die Lebensdauer zu gewährleisten.

Alle Arbeiten dürfen nur im spannungslosen Zustand erfolgen.

Bei Nichtbeachten können schwere Körperverletzungen und/oder Sachschäden auftreten.



Weitere wichtige Sicherheitshinweise befinden sich in den einzelnen Kapiteln dieser Betriebsanleitung.

2.1 Bestimmungsgemäße Verwendung

Die Differenzdruckmessgeräte der Produktfamilie DELTA-line werden vorzugsweise zur Überwachung und Steuerung von niedrigen Differenzdrücken mit hohen Anforderungen an einseitige Überlast und statischem Druck eingesetzt.

Typische Märkte dieser Produkte sind die Schiffsindustrie, Prozesswärmetechnik, Heizungs-, Klima-, Lüftungstechnik, Wasser-/Abwasserindustrie und Maschinen- und Anlagenbau. Hier ist die Hauptaufgabe der Messgeräte die Überwachung und Steuerung von Filtern, Kompressoren und Pumpen.

Einzig Typ DPGS40TA.100-*S* ist aufgrund der TÜV-Bescheinigung als Strömungsbegrenzer einsetzbar. Siehe Kapitel „2.2 Zusatzhinweise für den Einsatz als Strömungsbegrenzer“.

Das Gerät ist ausschließlich für den hier beschriebenen bestimmungsgemäßen Verwendungszweck konzipiert und konstruiert und darf nur dementsprechend verwendet werden.

Ansprüche jeglicher Art aufgrund von nicht bestimmungsgemäßer Verwendung sind ausgeschlossen.

2.2 Zusatzhinweise für den Einsatz als Strömungsbegrenzer

Dieses Kapitel betrifft ausschließlich Typ DPGS40TA.100-*S*.

Regularien für Druckgeräte

- Geräteart: Ausrüstungsteil mit Sicherheitsfunktion
- Messstoffe: Flüssig oder gasförmig, Gruppe 1 (gefährlich)
- Maximal zulässiger Druck PS siehe Kapitel „2.6 Beschilderung, Sicherheitskennzeichnungen“
- Volumen messstoffberührter Teile: < 0,1 L

2.2.1 Prüfgrundlagen Bauteilprüfblatt Strömung

- VdTÜV-Merkblatt „Strömung 100“, Ausgabe 2017-03-15, in Verbindung mit VdTÜV-Merkblatt „Allgemeines 002“, Ausgabe 2019-02-22
- Wesentliche Sicherheitsanforderungen der Richtlinie 2014/68/EU vom 15.05.2014 (Druckgeräterichtlinie)

2.2.2 Einschränkungen

1. Für die Schaltkontakte eine Vorsicherung mit dem 0,6-fachen des Nennstroms bemessen und installieren.
2. Die maximale Strombelastung der Schaltkontakte darf AC 1,4 A und DC 0,4 A nicht überschreiten.

2.2.3 Bemerkungen

1. Einsatz als Begrenzer. Externe Verriegelung als Begrenzer nachschalten, welche die Anforderung nach VdTÜV-Merkblatt „Strömung 100“, Ausgabe 2017-03-15, Abschnitte 3.9, 5.4.1 und 5.6, erfüllt.
2. Inbetriebnahmevorschriften des Herstellers beachten.
3. IP-Schutz an Zuleitungsverschraubung. Darauf achten, dass die verwendete Zuleitung einen Durchmesser hat, der den IP-Schutz der Kabelverschraubung nicht herabsetzt.
4. Einbauanweisung des Herstellers beachten.

2.2.4 Besondere Aufgaben bei der Prüfung vor Inbetriebnahme

1. Die Forderungen der Abschnitte „2.2.2 Einschränkungen“ bis „2.2.4 Besondere Aufgaben bei der Prüfung vor Inbetriebnahme“ sind zu überprüfen.
2. Funktionsprüfung der installierten Geräte durchführen. Bei Begrenzern zusätzlich Kontrolle der nachgeschalteten Verriegelungsschaltung durchführen.
3. Allgemeine technische Regeln für Druckmessgeräte (z. B. EN 837-2 „Auswahl- und Einbauempfehlungen für Druckmessgeräte“) befolgen.

2. Sicherheit

4. Druckanschlüsse nach angebrachten Symbolen: \oplus hoher Druck, \ominus niedriger Druck montieren.
5. Das Gerät an eine starre Messleitung montieren oder die Wandbefestigung über vorhandene Montagelaschen nutzen.
6. Prozessanschlüsse $2 \times G \frac{1}{4}$ Innengewinde, Anschlusslage unten, hintereinander, Achsabstand 26 mm, Gebrauchslage NL 90 nach DIN 16257 (d. h. Zifferblatt senkrecht), Gewinde der Anschlusszapfen vorzugsweise nach EN 837-3, Abschnitt 7.3.2, ausführen.
7. Messleitungen vor der Gerätemontage gründlich durch Abklopfen und Ausblasen oder Durchspülen reinigen.
8. Messgeräte vor Verschmutzung und starken Temperaturschwankungen schützen.
9. Das Druckmessgerät muss erschütterungsfrei befestigt werden und soll gut ablesbar angeordnet sein. Es empfiehlt sich, zwischen Druckentnahmestelle und Gerät eine Absperrvorrichtung zwischenzuschalten, die einen Austausch des Geräts und eine Nullpunktkontrolle bei laufender Anlage ermöglicht. Das Gerät vor grober Verschmutzung und starken Schwankungen der Umgebungstemperatur schützen.
10. Zur Abdichtung der Anschlüsse sind Flachdichtungen, Dichtlinsen oder WIKA-Profilabdichtungen einzusetzen. Anschlüsse mit Spannmuffe oder Überwurfmutter ermöglichen die Positionierung des Geräts zur besseren Ablesbarkeit. Zur Montage oder Demontage des Geräts darf die erforderliche Kraft nicht über das Gehäuse eingeleitet werden, sondern nur an den Schlüsselflächen des Anschlussstutzens!

DE

2.3 Funktionale Sicherheit der SIL-Ausführung

2.3.1 Allgemeines

Die nachfolgenden Hinweise zur funktionalen Sicherheit gelten im Zusammenhang mit den anderen Teilen dieser Betriebsanleitung und mit den unter Kapitel 2.3.2 „Mitgeltende Gerätedokumentation“ genannten Dokumente.

DE

Die Betriebsanleitung enthält wichtige Hinweise zum Umgang mit dem Differenzdruckmanometer DPGS40TA.100-xxS. Voraussetzung für sicheres Arbeiten ist die Einhaltung aller angegebenen Sicherheitshinweise und Handlungsanweisungen.



Nur der Typ DPGS40TA.100-xxS ist für den Einsatz in sicherheitsgerichteten Anwendungen geeignet!

Die Kennzeichnung der Geräte mit SIL-Ausführung auf den Typenschildern ist in den folgenden Darstellungen erläutert.

2.3.2 Mitgeltende Gerätedokumentation

Ergänzend zu diesem Abschnitt gelten die anderen Teile dieser Betriebsanleitung 14106549 für Typ DPGS40TA.100-xxS, das Datenblatt PV 27.22 sowie das Zertifikat 968/V 1169.01/21 (siehe Anhang 2).

2.3.3 Relevante Standards

Standard	Titel
IEC 61508 Edition 2.0	Funktionale Sicherheit sicherheitsbezogener elektrischer/elektronischer/programmierbarer elektronischer Systeme
IEC 61511 Edition 1.0	Funktionale Sicherheit – Sicherheitstechnische Systeme für die Prozessindustrie
ISO EN 13849-1:2008	Sicherheit von Maschinen – Sicherheitsbezogene Teile von Steuerungen – Teil 1: Allgemeine Gestaltungsleitsätze

2.3.4 Abkürzungen

Abkürzung	Beschreibung
$\lambda_S + \lambda_D$	λ_S safe + λ_D dangerous Summe aller mittleren Ausfallraten des Systems. Ein sicherer Ausfall liegt dann vor, wenn durch diesen das Messsystem in einem funktionsfähigen Zustand bleibt, oder es wird durch Alarm die Fehlererkennung signalisiert. Ein gefahrbringender Ausfall liegt dann vor, wenn durch diesen das Messsystem in einen gefährlichen oder funktionsunfähigen Zustand versetzt werden kann.
λ_{DD}	λ_{DD} dangerous detected Bei erkannten gefahrbringenden Ausfälle wird der Ausfall z. B. durch diagnostische Prüfungen oder Wiederholungsprüfungen erkannt, wodurch das System in den sicheren Zustand wechselt.
λ_{DU}	λ_{DU} dangerous undetected Bei unerkannten gefahrbringenden Ausfällen wird der Ausfall nicht durch diagnostische Prüfungen erkannt.
Betriebsart mit niedriger Anforderungsrate	In dieser Betriebsart wird die Sicherheitsfunktion des Sicherheitssystems nur auf Anforderung ausgeführt. Die Häufigkeit der Anforderung beträgt nicht mehr als einmal je Jahr.
Betriebsart mit hoher Anforderungsrate	In dieser Betriebsart wird die Sicherheitsfunktion des Sicherheitssystems nur auf Anforderung ausgeführt. Die Häufigkeit der Anforderung beträgt mehr als einmal pro Jahr.
DC	Diagnosedeckungsgrad Anteil der gefahrbringenden Ausfälle, die durch automatische diagnostische Online-Prüfungen erkannt werden.
HFT	Hardware-Fehlertoleranz Fähigkeit einer Funktionseinheit, eine geforderte Funktion bei Bestehen von Fehlern oder Abweichungen weiter auszuführen.
SIL	Safety Integrity Level Die internationale Norm IEC 61508 definiert vier diskrete Safety Integrity Level (SIL 1 bis SIL 4). Jeder Level entspricht einem Wahrscheinlichkeitsbereich mit welchem ein sicherheitsbezogenes System die festgelegten Sicherheitsfunktionen anforderungsgemäß ausführt. Je höher der Safety Integrity Level der sicherheitsbezogenen Systeme ist, umso größer die Wahrscheinlichkeit, dass die Sicherheitsfunktion ausgeführt wird.

2. Sicherheit

Abkürzung	Beschreibung
PL	Performance Level; Die internationale Norm EN ISO 13849 1 definiert fünf diskrete Performance Level (PL a bis PL e). Jeder Level entspricht einer Fähigkeit von sicherheitsbezogenen Teilen einer Steuerung, eine Sicherheitsfunktion unter vorhersehbaren Bedingungen auszuführen.
DE Moon (M out of N) Architektur	Die Architektur beschreibt die spezifische Konfiguration von Hardware- und Softwareelementen in einem System. N ist die Anzahl der parallelen Kanäle und M bestimmt wie viele Kanäle korrekt arbeiten müssen.
PF _{D,avg}	Mittlere Wahrscheinlichkeit eines gefahrbringenden Ausfalls bei Anforderung der Sicherheitsfunktion in der Betriebsart mit niedriger Anforderungsrate
T _i oder T _{proof}	Intervall der Wiederholungsprüfungen (in Stunden, typisch ein Jahr (8.760 h)). Nach diesem Intervall wird die Wiederholungsprüfung („proof test“) durchgeführt.
PFH _D	Mittlere Häufigkeit eines gefahrbringenden Ausfalls bei Anforderung der Sicherheitsfunktion in der Betriebsart mit hoher Anforderungsrate
SFF	Anteil sicherer Ausfälle
MTTF _D	Mittlere Zeit bis zum Auftreten eines gefahrbringenden Ausfalls
B _{10d}	Anzahl von Zyklen, bis 10 % der Komponenten gefährlich ausgefallen sind
n _{op}	Mittlere Anzahl der jährlichen Betätigungen
β-Faktor	Faktor für den Ausfall infolge gemeinsamer Ursachen, im Hinblick auf das Zusammenwirken mehrerer Kanäle

2.3.5 Bestimmungsgemäße Verwendung in Sicherheitsanwendungen

Sämtliche Sicherheitsfunktionen beziehen sich ausschließlich auf die Schaltfunktion des Geräts. Die Anzeige des Differenzdrucks gehört nicht zur Sicherheitsfunktion.

Das Gerät ist geeignet, um in sicherheitsgerichteten Systemen nach IEC 61508 und IEC 61511 einkanalig bis einschließlich SIL 2 eingesetzt zu werden. In einer redundanten Konfiguration ($HFT \geq 1$) können die Geräte in redundanter Ausführung bis SIL 3 eingesetzt werden.

Das Gerät ist geeignet, um in sicherheitsgerichteten Systemen nach ISO 13849 einkanalig bis einschließlich PL d eingesetzt zu werden. In einer redundanten Konfiguration ($HFT \geq 1$) können die Geräte bis PL e eingesetzt werden, wenn eine ausreichende externe Diagnose implementiert ist (DC low für PL d / medium für PL e).



WARNUNG!

Die sicherheitstechnischen Werte des Geräts sind für den jeweiligen Einsatzfall mit den Anforderungen der Applikation zu vergleichen.

Die spezifischen Kenngrößen sind immer in Hinblick auf die angenommene Schalthäufigkeit zu betrachten.

2.3.6 Einschränkung der Betriebsarten



WARNUNG!

Unter folgenden Betriebsbedingungen wird die Sicherheitsfunktion des Geräts nicht gewährleistet:

- Während der Einstellung der Schaltpunkte

2.3.7 Sicherheitsfunktion

Die Sicherheitsfunktion des Geräts besteht darin, dass bei sinkendem Differenzdruck der bzw. die Schalter geöffnet werden. Die Wechsler in einer Sicherheitsfunktion so verwenden, dass der Stromkreis bei sinkendem Differenzdruck geöffnet wird (Ruhestromprinzip beachten).

2.3.8 Genauigkeit der sicheren Schaltfunktion

Die nachfolgenden Angaben zur Gesamtsicherheitsgenauigkeit beinhalten:

- Grundgenauigkeit (Messabweichung, Linearitätsfehler)
- Einfluss der Umgebungstemperatur im Bereich $-10\text{ °C} \dots +70\text{ °C}$
- Einfluss von bis zu 259.835 Lastwechseln

DE

Die Gesamtsicherheitsgenauigkeit beträgt $-12\% \dots +8\%$ der Messspanne für den Differenzdruck.

2.3.9 Einsatzgrenzen

Betriebsdruck:	Siehe Zifferblatt
Differenzdruck:	Siehe Zifferblatt
Umgebungstemperatur:	$-10 \dots +70\text{ °C}$ (Betrieb)
Umgebungstemperatur:	$-40 \dots +70\text{ °C}$ (Lagerung)
Medientemperatur:	$-10 \dots +90\text{ °C}$ (Die Temperatur am Gerät darf 70 °C nicht überschreiten)

2.3.10 Konfigurationsänderungen

Die Einstellung der Schaltpunkte erfolgt im Werk nach Bestellangaben. Schaltpunkte nach einer Änderung durch den Anwender überprüfen. Kennzeichnung z. B. mit einem passenden Aufkleber aktualisieren. Das Gerät gegen Änderung der Schaltpunkte durch die vorgesehene Verplombung der Einstellelemente sichern.



WARNUNG!

Nach jedem Konfigurationsvorgang die Sicherheitsfunktion durch einen Test prüfen.

2.3.11 Inbetriebnahme

Alle Anwendungen

Die Funktionsweise der Schaltfunktion des Differenzdruckmanometers DPGS40TA.100-xxS während der Inbetriebnahme und in angemessenen Zeitabständen prüfen. Sowohl die Art der Überprüfung als auch die gewählten Zeitabstände liegen in der Verantwortung des Anwenders.

Zusätzlicher Hinweis für Anwendungen mit niedriger Anforderungsrate

Die Zeitabstände für den Proof Test richten sich gewöhnlich nach dem in Anspruch genommenen PFD_{avg} -Wert. Üblicherweise wird von einer Wiederholungsprüfung von 1 Jahr ausgegangen, siehe Zertifikat 968/V 1169.01/21.

2.3.12 Test der Sicherheitsfunktion

Beim Test der gesamten Sicherheitsfunktion prüfen, ob die Schalter ordnungsgemäß funktionieren.

2.3.13 Hinweise zur Ermittlung sicherheitstechnischer Kenngrößen

Die Ausfallraten der Geräte wurden durch Anwendung von statistischen Methoden nach IEC 61508 auf Basis einer Typprüfung für DPGS40TA.100-xxS ermittelt. Das Gerät ist vorgesehen für Anwendungen mit niedriger oder mit hoher Anforderungsrate.



WARNUNG!

Die maximale Lebensdauer im sicherheitsgerichteten System beträgt 5 Jahre plus 1,5 Jahre Reserve. Eine längere Lebensdauer liegt in der Verantwortung des Betreibers.

2.3.14 Gerätespezifische sicherheitstechnische Kenngrößen

Die sicherheitstechnischen Kenngrößen für den Einsatz in sicherheitsgerichteten Systemen nach IEC 61508, IEC 61511 und ISO 13849 sind dem Zertifikat 968/V 1169.01/21 zu entnehmen, siehe Anhang 2 dieser Betriebsanleitung.

2.3.15 Außerbetriebnahme des Geräts



WARNUNG!

Außer Betrieb genommene Geräte gegen versehentliche Inbetriebnahme (z.B. durch Kennzeichnung der Geräte) sichern. Nach dem Austausch des Geräts einen Funktionstest der gesamten Sicherheitsfunktion (Safety Loop) durchführen, um zu prüfen, ob die Sicherheitsfunktion des Systems noch gewährleistet ist. Die Funktionstests dienen dazu, die einwandfreie Funktion der Sicherheitseinrichtung SIS im Zusammenwirken aller Komponenten (Sensor, Logikseinheit, Aktor) nachzuweisen.

2.4 Personalqualifikation



WARNUNG!

Verletzungsgefahr bei unzureichender Qualifikation!

Unsachgemäßer Umgang kann zu erheblichen Personen- und Sachschäden führen.

- Die in dieser Betriebsanleitung beschriebenen Tätigkeiten nur durch Fachpersonal nachfolgend beschriebener Qualifikation durchführen lassen.

DE

Fachpersonal

Das Fachpersonal ist aufgrund seiner fachlichen Ausbildung, seiner Kenntnisse der Mess- und Regelungstechnik und seiner Erfahrungen sowie Kenntnis der landesspezifischen Vorschriften, geltenden Normen und Richtlinien in der Lage, die beschriebenen Arbeiten auszuführen und mögliche Gefahren selbstständig zu erkennen.

2.5 Besondere Gefahren



WARNUNG!

Bei gefährlichen Messstoffen wie z. B. brennbaren oder giftigen Stoffen, sowie bei Kälteanlagen, Kompressoren etc. müssen über die gesamten allgemeinen Regeln hinaus die jeweils bestehenden einschlägigen Vorschriften beachtet werden.



WARNUNG!

Messstoffreste in ausgebauten Messgeräten können zur Gefährdung von Personen, Umwelt und Einrichtung führen. Ausreichende Vorsichtsmaßnahmen ergreifen.

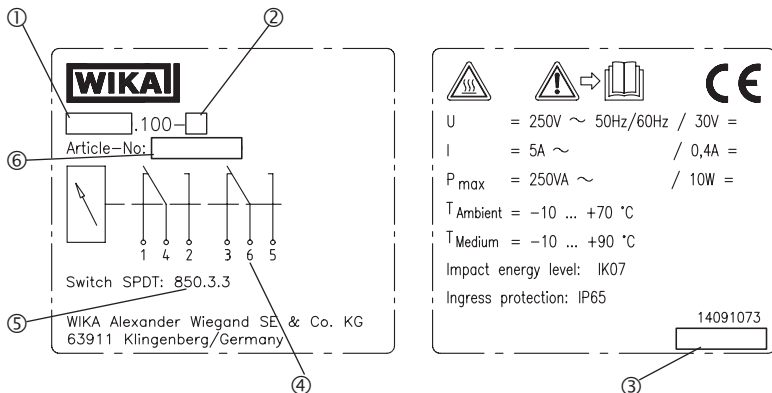


WARNUNG!

Die maximale Oberflächentemperatur des Geräts darf die Zündtemperatur brennbarer Messstoffe nicht überschreiten. Ausreichende Vorsichtsmaßnahmen ergreifen.

2.6 Beschilderung, Sicherheitskennzeichnungen

Typenschild



Zifferblatt (Beispiel)



- ① Typ DPGS40TA
- ② Code 1. Stelle E = Einfach-Mikroschalter 850.3
D = Zweifach-Mikroschalter 850.3.3
2. Stelle S = Strömungsbegrenzer, siehe Kapitel „2.2 Zusatzhinweise für den Einsatz als Strömungsbegrenzer“
3. Stelle S = SIL-Ausführung
- ③ Herstellungsdatum
- ④ Anschlussbelegung
- ⑤ Kontakttyp
- ⑥ Artikelnummer
- ⑦ Maximal zulässiger Druck PS nach europäischer Druckgeräterichtlinie
- ⑧ Seriennummer

Symbolerklärung



Vor Montage und Inbetriebnahme des Geräts unbedingt die Betriebsanleitung lesen!

DE



Verbrennungsgefahr!

Möglicherweise gefährliche Situation durch heiße Oberflächen.

Aufgrund der maximal zulässigen Prozesstemperatur von 90 °C können Messzellen, Anschlussstücke, Ventile oder sonstige Anbauteile eine Temperatur von 90 °C erreichen.

3. Technische Daten

Die Isolationswerte (Luft -und Kriechstrecken) sind gemäß EN 61010-1:2010 für folgende Umgebungsbedingungen bemessen:

- Höhenlage bis 2.000 m
- Überspannungskategorie II
- Verschmutzungsgrad 2
- Relative Feuchte 0 ... 95 % nicht betauend (nach DIN 40040)

Die Festigkeit der Messgeräte (umhüllende, nicht metallische Bauteile) ist mit einer verringerten Schlagenergie von 2 J entsprechend IK07 gemäß EN 61010-1:2010 getestet worden. Der IK-Code ist dem jeweiligen Typenschild zu entnehmen.

DE

Technische Daten

Nenngröße	Differenzdruckanzeige: Ø 100 mm Betriebsdruckanzeige: Ø 22 mm
Genauigkeit	Differenzdruckanzeige: ≤ 2,5 % der Spanne (Option ≤ 1,6 %) Betriebsdruckanzeige: ≤ 4 % der Spanne
Anzeigebereiche (EN 837)	Differenzdruck: 0 ... 0,25 bis 0 ... 10 bar Betriebsdruck: 0 ... 25 bar
Max. Betriebsdruck (stat.)	25 bar
Überlastsicherheit	Max. 25 bar Ein-, beid- und wechselseitig auf der ⊕- und ⊖-Seite
Zulässige Temperaturen	Umgebung: -10 ... +70 °C, Messstoff: -10 ... +90 °C Lagerung: -40 ... +70 °C
Schutzart	IP 65 nach EN 60529 / IEC 60529
Messkammer (messstoffberührt)	Aluminium, EN AC-Al Si9Cu3(Fe), schwarz lackiert (Option: CrNi-Stahl)
Prozessanschlüsse (messstoffberührt)	2 x G 1/4 Innengewinde, Anschlusslage unten, hintereinander, Achsabstand 26 mm
Messglieder (messstoffberührt)	Differenzdruck: Druckfedern aus CrNi-Stahl 1.4310 und Trennmembrane aus FPM/FKM (Option: NBR) Betriebsdruck: Rohrfeder aus Cu-Legierung
Übertragungsteile (messstoffberührt)	CrNi-Stahl 1.4301, 1.4305, 1.4310, FPM/FKM (Option: NBR)
Dichtungen (messstoffberührt)	FPM/FKM (Option: NBR)
Zeigerwerk	Kupferlegierung

3. Technische Daten

Technische Daten

Zifferblatt	Differenz- und Betriebsdruckanzeige: Zifferblatt weiß, Skalierung schwarz
Zeiger	Differenz- und Betriebsdruckanzeige: Zeiger blau
Nullpunkteinstellung für Differenzdruckanzeige	über Schraube im Zifferblatt
Gehäuse	Aluminium, EN AC-Al Si9Cu3(Fe), schwarz lackiert
Sichtscheibe	Kunststoff, mit Verschlusschraube zur Nullpunkt korrektur und Schalterpunktverstellung (Option: Verplombung der Einstellungen)

Elektrischer Kontakt

Kontaktart	Mikroschalter
Kontaktfunktion Einfach-Wechsler Zweifach-Wechsler	Kontakttyp 850.3 Kontakttyp 850.3.3
Lastdaten U max., I max., P max.	250 VAC, 5 A ¹⁾ , 250 VA 30 VDC, 0,4 A, 10 W
Schaltpunkteinstellung	Von außen an Hilfsskala über Einstellschraube(n)
Einstellbereich	Von 10 % bis 100 % des Skalenendwerts
Schaltpunktproduzierbarkeit	≤ 1.6 %
Schalthysterese	Max. 5 % vom Skalenendwert (Option: max. 2,5 %)
Elektrischer Anschluss	Kabelverschraubung M20 x 1,5 mit 1 m freiem Kabel

1) I max. = 1,4 A für Ausführung nach VdTÜV Merkblatt „Strömung 100“

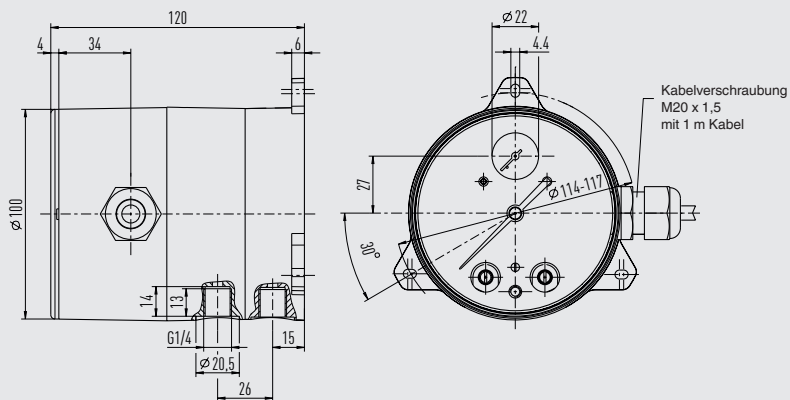
Weitere technische Daten siehe jeweiliges Typenschild, WIKA-Datenblatt und Bestellunterlagen.

Für Typen mit optionalem Explosionsschutz „Zusatzinformation für explosionsgefährdete Bereiche (Ex i), Typen DPS40, DPGS40, DPGS40TA und DPGT40“, Artikelnummer 14110818 lesen.

3. Technische Daten

Abmessungen in mm

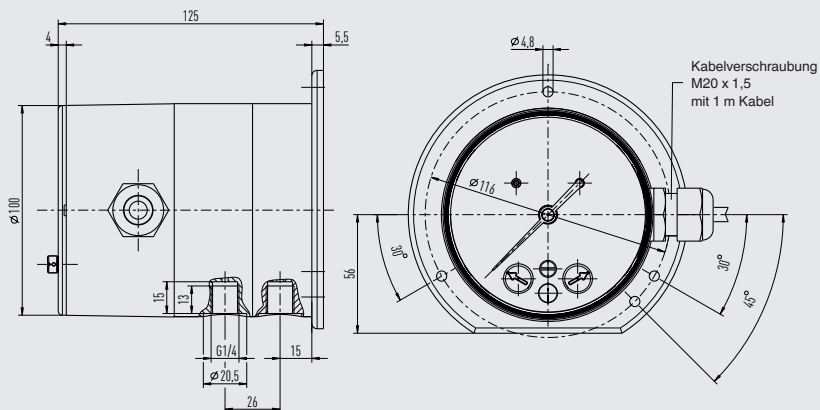
Mit Aluminium-Messkammer



14078112.01

DE

Mit CrNi-Stahl-Messkammer



14413389.01

14106549.12 01/2024 EN/DE/FR/ES

4. Aufbau und Funktion

4.1 Beschreibung

In den Messstoffräumen \oplus und \ominus , die durch eine elastische Membrane (1) getrennt sind, herrschen die Drücke p_1 und p_2 .

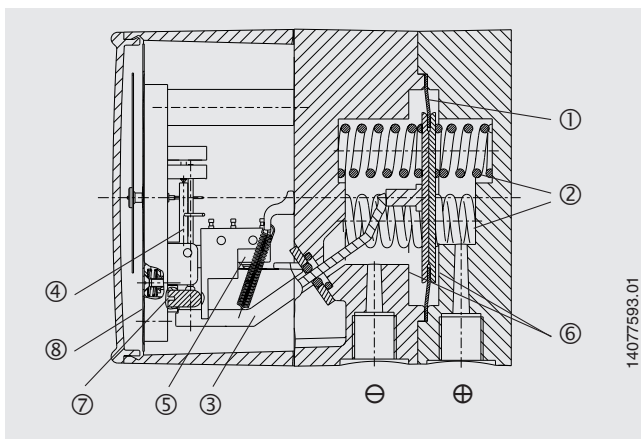
DE

Der Differenzdruck ($\Delta p = p_1 - p_2$) bewirkt eine axiale Auslenkung (Messweg) der Membrane gegen die Messbereichsfedern (2).

Der dem Differenzdruck proportionale Messweg wird über einen Kipphebel (3) druckdicht und reibungsarm in das Anzeigegehäuse auf das Zeigerwerk (4) und an die Blattfedern der Mikroschalter (5) übertragen.

Die Überlastsicherheit wird durch Anlage der elastischen Membrane an metallische Stützflächen (6) erreicht.

Die Schaltpunktverstellung erfolgt über die frontseitig zugänglichen Einstellschrauben (7). Die Hilfsskalen (8) erleichtern die Schaltpunkteinstellung.



4.2 Lieferumfang

Lieferumfang mit dem Lieferschein abgleichen.

5. Transport, Verpackung und Lagerung

5.1 Transport

Gerät auf eventuell vorhandene Transportschäden untersuchen. Offensichtliche Schäden unverzüglich mitteilen.

5.2 Verpackung

Verpackung erst unmittelbar vor der Montage entfernen.

Die Verpackung aufbewahren, denn diese bietet bei einem Transport einen optimalen Schutz (z. B. wechselnder Einbauort, Reparatursendung).

5.3 Lagerung

Zulässige Bedingungen am Lagerort

Lagertemperatur: -40 ... +70 °C

Um Schäden zu vermeiden, sind für die Lagerung der Geräte folgende Punkte zu beachten:

- Geräte in der Originalverpackung belassen
- Nach einer eventuellen Entnahme der Messgeräte für z. B. Prüfungen, sollte das Gerät wieder in der Originalverpackung eingelagert werden

Folgende Einflüsse vermeiden:

- Direktes Sonnenlicht oder Nähe zu heißen Gegenständen
- Mechanische Vibration, mechanischer Schock (hartes Aufstellen)
- Ruß, Dampf, Staub, Feuchtigkeit und korrosive Gase
- Explosionsgefährdete Umgebung, entzündliche Atmosphären



WARNUNG!

Vor der Einlagerung des Geräts müssen alle ggf. anhaftenden Messstoffreste entfernt werden. Dies ist besonders wichtig, wenn das Medium gesundheitsgefährdend ist, wie z. B. ätzend, giftig, krebserregend, radioaktiv, usw.

6. Inbetriebnahme, Betrieb

6.1 Mechanischer Anschluss

- Allgemeine technische Regeln für Druckmessgeräte (z. B. EN 837-2 „Auswahl- und Einbauempfehlungen für Druckmessgeräte“) befolgen.
- Druckanschlüsse nach angebrachten Symbolen: \oplus hoher Druck, \ominus niedriger Druck montieren.
- Das Gerät an eine starre Messleitung montieren oder die Wandbefestigung über vorhandene Montagelaschen nutzen.
- Prozessanschlüsse $2 \times G \frac{1}{4}$ Innengewinde, Anschlusslage unten, hintereinander, Achsabstand 26 mm, Gebrauchslage NL 90 nach DIN 16257 (d. h. Zifferblatt senkrecht), Gewinde der Anschlusszapfen vorzugsweise nach EN 837-3, Abschnitt 7.3.2, ausführen.
- Messleitungen vor der Gerätemontage gründlich durch Abklopfen und Ausblasen oder Durchspülen reinigen.
- Messgeräte vor Verschmutzung und starken Temperaturschwankungen schützen!
- Das Gerät schwingungsfrei montieren und die Ausrichtung so gestalten, dass es gut ablesbar ist. Es empfiehlt sich, zwischen Druckentnahmestelle und Gerät eine Absperrvorrichtung zwischenzuschalten, die einen Austausch des Geräts und eine Nullpunktkontrolle bei laufender Anlage ermöglicht. Das Gerät vor grober Verschmutzung und starken Schwankungen der Umgebungstemperatur schützen.
- Zur Abdichtung der Anschlüsse sind Flachdichtungen, Dichtlinsen oder WIKA-Profildichtungen einzusetzen. Anschlüsse mit Spannmuffe oder Überwurfmutter ermöglichen die Positionierung des Geräts zur besseren Ablesbarkeit. Zur Montage oder Demontage des Geräts darf die erforderliche Kraft nicht über das Gehäuse eingeleitet werden, sondern nur an den Schlüsselflächen des Anschlussstutzens!

Wandmontage

Befestigung über drei angegossene Befestigungslaschen

Temperaturbelastung



WARNUNG!

Sicherstellen, dass das Gerät in der Endanwendung trotz Medientemperaturen $> 70\text{ °C}$ nicht über 70 °C erwärmt wird. Bei der Montage des Geräts darauf achten, dass die zulässige Betriebstemperatur des Messgeräts unter Berücksichtigung des Einflusses von Konvektion und Wärmestrahlung eingehalten wird! Das Gerät und das Absperrventil durch die Verwendung von ausreichend langen Messleitungen bzw. Wassersackrohren absichern. Temperatureinfluss auf Anzeige- und Messgenauigkeit beachten.



Die tatsächliche maximale Oberflächentemperatur ist nicht von diesen Geräten selbst abhängig, sondern hauptsächlich von der jeweiligen Messstofftemperatur! Bei gasförmigen Stoffen kann sich die Temperatur durch Kompressionswärme erhöhen. In solchen Fällen muss ggf. die Druckänderungsgeschwindigkeit gedrosselt bzw. die zulässige Messstofftemperatur reduziert werden.

Messanordnungen

Bewährte Messanordnungen für verschiedene Messstoffarten. Die zur Anwendung besonders empfohlenen Anordnungen sind nachfolgend dargestellt.

		Flüssige Messstoffe			Gasförmige Messstoffe			
DE	Füllung der Messleitung	Flüssig	Zum Teil ausgasend	Vollständig verdampft	Gasförmig	Zum Teil kondensiert (feucht)	Vollständig kondensiert	
	Beispiele	Kondensat	Siedende Flüssigkeiten	„Flüssiggase“	Trockene Luft	Feuchte Luft Rauchgase	Wasserdampf	
	Manometer oberhalb des Entnahmestutzens							
	Manometer unterhalb des Entnahmestutzens							

Messanordnungen

Die zu bevorzugenden Messanordnungen für verschiedene Einsatzmöglichkeiten sind in DIN 19216 beschrieben.

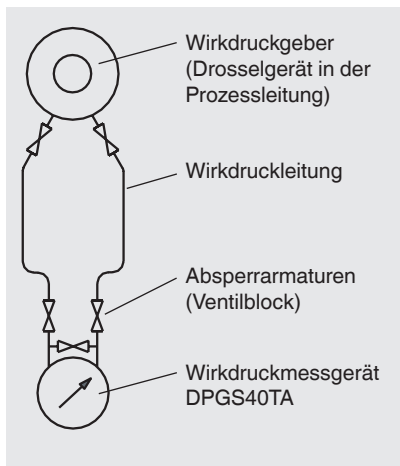
Die nachfolgende Prinzipdarstellung zeigt eine empfohlene Anordnung bei flüssigen Messstoffen. Als Drosselgeräte sind Wirkdruckgeber nach DIN 1952 (Ausgabe 07.82) ersetzt durch EN 5167/1 vorzusehen.

Sicherstellen, dass die Wirkdruckleitungen aus Metall gefertigt sind, die lichte Weite 4 mm nicht unterschreitet und die gestreckte Länge zwischen Ventilblock und Differenzdruckmessgerät mindestens 500 mm beträgt.

Die Länge und lichte Weite der Wirkdruckleitungen sind so zu bemessen, dass bei kalter Leitung die Ansprechzeit des Wirkdruckmessgeräts nicht mehr als 5 Sekunden beträgt.

Sicherstellen, dass die Anschlüsse der Differenzdruckleitungen mit metallischen Dichtelementen verschweißt, hartgelötet oder verschraubt werden.

Die Absperrvorrichtungen in Differenzdruckleitungen können nur mit Werkzeugen betätigt werden.



6.2 Elektrischer Anschluss

- Der elektrische Anschluss darf nur durch qualifiziertes Personal erfolgen.
- Die Belegung der Anschlüsse und die Schaltfunktionen sind auf dem Typenschild am Gerät angegeben und die Anschlussklemmen sind entsprechend gekennzeichnet.
- Netzanschlussleitungen für die größte Stromaufnahme des Geräts bemessen und dabei den Vorgaben von IEC 227 oder IEC 245 entsprechen.
- Geräte in den Potenzialausgleich der Anlage einbeziehen.

Leistungsdaten siehe Kapitel 3 „Technische Daten“

Sicherheitshinweise bei Installation



- Installations- und Sicherheitshinweise der Betriebsanleitung beachten.
- Geräte gemäß Herstellerangaben und den gültigen Normen und Regeln installieren.

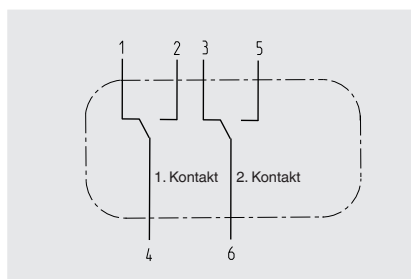
DE

- In den Geräten sind keine Überstrom-Schutzeinrichtungen eingebaut!
- Geeignete Schutzsysteme einführen, um das Verschweißen der Kontakte durch Überlast zu verhindern!
- An die Schaltkontakte und Anschlussleitungen des Geräts nur Stromkreise mit gleicher Spannung und von gleicher Schutzklasse anschließen.
- Maximalen Strom durch externe Maßnahmen auf einen Wert von 250 VAC, 5 A ¹⁾ bei ohmscher Belastung je Stromkreis begrenzen.
- Anschlussleitungen für die größte Stromstärke in den Stromkreisen bemessen.

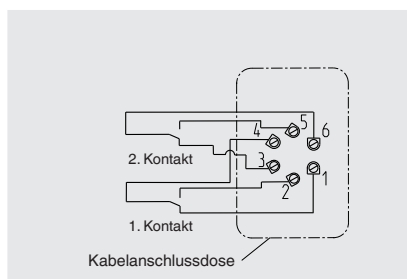
1) abweichende Strombegrenzung I max. = 1,4 A für Ausführung nach VdTÜV Merkblatt „Strömung 100“

Die genauen Angaben zur Anschlussbelegung und erforderlichen Hilfsenergie sind auf dem Typenschild am Gehäuseumfang vermerkt. Beispiele von Anschlussbelegungen sind nachfolgend dargestellt.

Beispiel Anschlussbelegung 1: Kabelverschraubung und Kabel

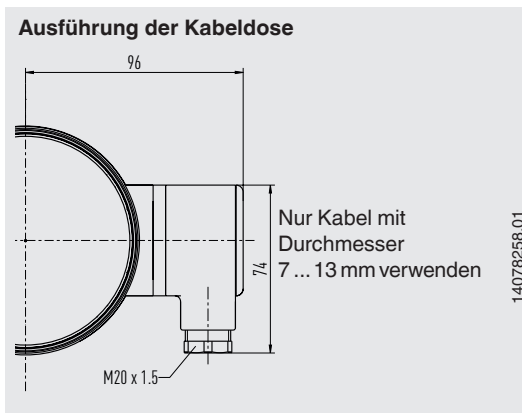


Beispiel Anschlussbelegung 2: Kabeldose oder Winkelstecker nach DIN 43651



Für den Sicherheitsstromkreis, der bei Unterschreiten des Minstdurchflusses die Beheizung des Dampferzeugers abschalten soll, darf nur der Schließer des Umschaltkontakts angeschlossen werden (d.h. der bei $\Delta p = 0$ offene Kreis)!

- Spannungen größer AC 50 V oder DC 75 V:
 - Stromkreise nicht gleichzeitig mit Kleinspannungsstromkreisen oder Sicherheitskleinspannung (SELV) bzw. Schutzkleinspannung (PELV) anschließen.
 - Stromkreise müssen außerhalb des Messgeräts über eine Einrichtung verfügen, die es ermöglicht das Gerät vom Netz zu trennen. Diese muss leicht erreichbar und als Trennvorrichtung für das Gerät gekennzeichnet sein.
 - Leitungen für Stromkreise müssen die Isolationsanforderungen erfüllen und z. B. IEC 60227 oder IEC 60245 entsprechen.
- Bei flexiblen Anschlussleitungen isolierte Aderendhülsen verwenden.
- Anschlussleitungen müssen für den Umgebungstemperaturbereich der Applikation geeignet sein.
- Kabeleinführung mit den entsprechend zugelassenen Kabelverschraubungen dicht verschließen.



- Anschlusskabel fest verlegen.

Schalt- und Nullpunkteinstellung

Die Schalt- bzw. Nullpunkteinstellung erfolgt über frontseitige Einstellschrauben, welche durch Lösen der Verschlusschrauben zugänglich sind.

Durch Drehen der Einstellschraube mit einem Schraubendreher wird der gewünschte Nullpunkt eingestellt.

DE

Bei Angabe der Sollwerte werden werkseitig die Schaltpunkte eingestellt. Eine Hilfsskala erleichtert die Schaltpunkteinstellung.

Wird eine genaue Schaltpunkteinstellung gewünscht, sollte ein Prüfnormal zur Justage verwendet werden.



Verschlusschrauben nach erfolgreicher Schalt- bzw. Nullpunkteinstellung wieder montieren, da sonst die angegebene Schutzart nicht eingehalten wird.

6.3 Inbetriebnahme

Bei Inbetriebnahme Druckstöße unbedingt vermeiden, Absperrventile langsam öffnen.

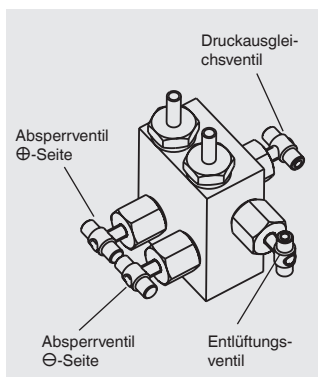
7. Optionen und Zubehör

7.1 Vierfach-Ventilblock

- Absperrung der \oplus - und \ominus -Prozessleitung zur **Demontage** oder **Prüfung** des Messgeräts ohne Störung des laufenden Betriebsprozesses.

Schutz des Geräts gegen unzulässige Überdruckbelastung, wie z. B. bei Druckprüfungen und undefinierten Betriebsverhältnissen (auch zeitweiliger Stilllegung).

- Druckausgleich zur **Nullpunktkontrolle** bei laufendem Prozess sowie Vermeidung einseitiger Überdruckbelastung während der Anfahr- bzw. Betriebsphase (bei geöffnetem Druckausgleichsventil).
- **Entlüftung** der Messleitungen bei flüssigen Messstoffen und **Spülung** der Messleitungen, um Verunreinigungen zu entfernen.



Angaben zum Handling

■ Arbeitsgangfolge zum **Messanfang**

1. Druckausgleichsventil (mittlere Ventilspindel) öffnen
2. Absperrventil der Minus-Messstoffraum (\ominus , rechtes Ventil) und der Plus-Messstoffraum (\oplus , linkes Ventil) öffnen
3. Druckausgleichsventil schließen

■ Arbeitsgangfolge zum **Spülen/Entlüften** der Messleitungen

1. Anfang: Absperrventil der \oplus - und \ominus -Messstoffraum öffnen, Druckausgleichsventil und Entlüftungsventil öffnen
2. Ende: Druckausgleichsventil und Entlüftungsventil schließen

■ Arbeitsgangfolge zu **Messende** (auch zeitweise Stilllegung)

1. Druckausgleichsventil öffnen
2. Absperrventil der \oplus - und \ominus -Messstoffraum schließen

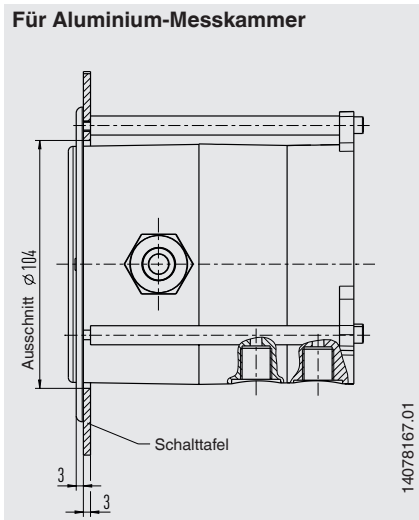
■ Arbeitsgangfolge zur **Demontage des Messgeräts** bei laufendem Prozess

1. Absperrventil der \oplus - und \ominus -Messstoffraum schließen
2. Entlüftungsventil öffnen

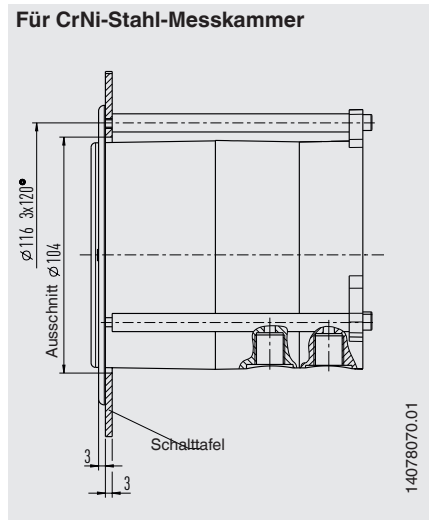
DE

7.2 Befestigungsrand für Schalttafelmontage

Für Aluminium-Messkammer



Für CrNi-Stahl-Messkammer



8. Wartung

Die Geräte sind wartungsfrei.

Eine Überprüfung der Anzeige und der Schaltfunktion sollte etwa 1 bis 2 mal pro Jahr erfolgen. Dazu ist das Gerät vom Prozess zu trennen und mit einer Druckprüfvorrichtung zu kontrollieren.

DE Reparaturen sind ausschließlich vom Hersteller durchzuführen.

9. Demontage, Rücksendung und Entsorgung



WARNUNG!

Messstoffreste in ausgebauten Messgeräten können zur Gefährdung von Personen, Umwelt und Einrichtung führen. Ausreichende Vorsichtsmaßnahmen ergreifen.

9.1 Demontage

Messgerät nur im drucklosen und spannungsfreiem Zustand demontieren! Gegebenenfalls muss die Messleitung entspannt werden.

9.2 Rücksendung

Ausgebautes Messgerät vor der Rücksendung spülen bzw. säubern, um Mitarbeiter und Umwelt vor Gefährdung durch anhaftende Messstoffreste zu schützen.

9.3 Entsorgung

Durch falsche Entsorgung können Gefahren für die Umwelt entstehen. Gerätekomponenten und Verpackungsmaterialien entsprechend den landesspezifischen Abfallbehandlungs- und Entsorgungsvorschriften umweltgerecht entsorgen.

Sommaire

1. Généralités	4
2. Sécurité	5
2.1 Utilisation conforme à l'usage prévu	5
2.2 Instructions complémentaires pour une utilisation comme limiteur de flux	6
2.3 Sécurité fonctionnelle de la version SIL	8
2.4 Qualification du personnel	14
2.5 Dangers particuliers	14
2.6 Etiquetage, marquages de sécurité	15
3. Spécifications	17
4. Conception et fonction	20
4.1 Description	20
4.2 Détail de la livraison	20
5. Transport, emballage et stockage	21
5.1 Transport	21
5.2 Emballage	21
5.3 Stockage	21
6. Mise en service, utilisation	22
6.1 Raccordement mécanique	22
6.2 Raccordement électrique	25
6.3 Mise en service	28
7. Options et accessoires	28
7.1 Manifold 4 voies.	28
7.2 Colletterie avant pour montage panneau	29
8. Entretien	30
9. Démontage, retour et mise au rebut	30
9.1 Démontage	30
9.2 Retour	30
9.3 Mise au rebut	30
Annexe 1 : Certificat DNV	115
Annexe 2 : Certificat SIL	117
Annexe 3 : Certificat TÜV (contrôle technique allemand) "Flux 100"	119
Annexe 4 : Déclaration de conformité, types DPS40, DPGS40, DPGS40TA	120
Annexe 5 : Déclaration de conformité, type DPGS40TA.100-*S*	122

1. Généralités

- L'instrument décrit dans le mode d'emploi est conçu et fabriqué selon les dernières technologies en vigueur. Tous les composants sont soumis à des critères de qualité et d'environnement stricts durant la fabrication. Nos systèmes de gestion sont certifiés selon ISO 9001 et ISO 14001.
- Ce mode d'emploi donne des indications importantes concernant l'utilisation de l'instrument. Il est possible de travailler en toute sécurité avec ce produit en respectant toutes les consignes de sécurité et d'utilisation.
- Respecter les prescriptions locales de prévention contre les accidents et les prescriptions générales de sécurité en vigueur pour le domaine d'application de l'instrument.
- Le mode d'emploi fait partie de l'instrument et doit être conservé à proximité immédiate de l'instrument et accessible à tout moment pour le personnel qualifié.
- Le personnel qualifié doit, avant de commencer toute opération, avoir lu soigneusement et compris le mode d'emploi.
- En cas d'interprétation différente de la version traduite du mode d'emploi et de la version anglaise, c'est la version anglaise qui prévaut.
- Dans ce document, le masculin générique est utilisé pour une meilleure lisibilité. Les identités féminines et les autres identités de genre sont explicitement incluses.
- Les conditions générales de vente mentionnées dans les documents de vente s'appliquent.
- Sous réserve de modifications techniques.
- Les certificats d'étalonnage sont émis en accord avec les standards internationaux.
- Pour obtenir d'autres informations :
 - Site web : www.wika.fr / www.wika.com
 - Fiches techniques correspondantes : PV 27.22

Explication des symboles



AVERTISSEMENT !

... indique une situation présentant des risques susceptibles de provoquer la mort ou des blessures graves si elle n'est pas évitée.



Information

... met en exergue des conseils et recommandations utiles de même que des informations permettant d'assurer un fonctionnement efficace et normal.

2. Sécurité



AVERTISSEMENT !

Avant le montage, la mise en service et le fonctionnement, s'assurer que le manomètre différentiel a été choisi de façon adéquate, en ce qui concerne l'étendue de mesure, la version et les conditions de mesure spécifiques.

Vérifier si les matériaux soumis à la pression sont compatibles avec le fluide de mesure !

Les limites de surpression admissible sont à respecter afin d'assurer la précision et la durée de vie.

Toutes les interventions doivent être effectuées hors tension.

Un non respect de cette consigne peut entraîner des blessures corporelles graves et/ou des dégâts matériels.



Vous trouverez d'autres consignes de sécurité dans les sections individuelles du présent mode d'emploi.

2.1 Utilisation conforme à l'usage prévu

Les instruments de mesure de pression différentielle de la ligne de produits DELTA sont principalement utilisés pour la surveillance de faibles pressions différentielles lorsqu'il y a des exigences élevées en termes de surpression d'un côté ou de pression statique.

Ces instruments ciblent les marchés tels que l'industrie navale, les installations de chauffage, l'industrie de la ventilations et du conditionnement d'air, le traitement d'eau/des eaux usées, la construction de machines et d'installations techniques. Pour celles-ci, la fonction principale des instruments de mesure est la surveillance de filtres, de compresseurs et de pompes.

Seul le type DPGS40TA.100-*S* peut être utilisé comme limiteur de flux grâce à son certificat TÜV. Voir chapitre 2.2 "Instructions complémentaires pour une utilisation comme limiteur de flux".

L'instrument est conçu et construit exclusivement pour une utilisation conforme à l'usage prévu décrit ici et ne doit être utilisé qu'en conséquence.

Aucune réclamation ne peut être recevable en cas d'utilisation non conforme à l'usage prévu.

2.2 Instructions complémentaires pour une utilisation comme limiteur de flux

Ce chapitre s'applique uniquement au type DPGS40TA.100-*S*.

Règlementations pour équipement de pression

- Type d'instrument : Accessoire de sécurité
- Fluides : liquides ou gazeux, groupe 1 (dangereux)
- Pression maximale admissible PS, voir chapitre 2.6 "Étiquetage, marquages de sécurité"
- Volume des pièces en contact avec le fluide : < 0,1 L

FR

2.2.1 Principes d'essai pour le test des composants de flux

- Code de pratique VdTÜV "Flux 100", édition 15-03-2017 en association avec le code de pratique VdTÜV "Directives générales 002", édition 22-02-2019
- Exigences de sécurité essentielles de la directive 2014/68/UE du 15 mai 2014 (directive relative aux équipements sous pression)

2.2.2 Restrictions

1. Pour les contacts électriques, dimensionner et installer un fusible de 0,6 fois le courant nominal.
2. La charge de courant maximale des contacts électriques ne doit pas dépasser 1,4 A en courant alternatif et 0,4 A en courant continu.

2.2.3 Commentaires

1. Utiliser comme limiteur. Raccorder un dispositif de verrouillage externe en aval comme limiteur, répondant aux exigences du code de pratique VdTÜV "Flux 100", édition 15-03-2017, sections 3.9, 5.4.1 et 5.6.
2. Respecter les instructions de mise en service fournies par le fabricant.
3. Indice de protection IP au niveau du presse-étoupe de la ligne d'alimentation. Vérifier que le diamètre du câble d'alimentation utilisé ne réduit pas l'indice de protection IP du presse-étoupe.
4. Respecter les instructions d'installation fournies par le fabricant.

2.2.4 Responsabilités spéciales concernant les tests avant la mise en service

1. Les exigences des sections "2.2.2 Restrictions" à "2.2.4 Responsabilités spéciales concernant les tests avant la mise en service" doivent être passées en revue.
2. Effectuer des tests fonctionnels sur les instruments installés. Pour les limiteurs, réaliser un contrôle supplémentaire du circuit de verrouillage en aval.
3. Se conformer aux règles techniques générales pour les instruments de mesure de pression (par exemple EN 837-2 "Recommandations sur le choix et l'installation des manomètres").

2. Sécurité

4. Installer les connexions de pression conformément aux symboles apposés : \oplus pression élevée, \ominus pression basse.
5. Fixer l'instrument à l'aide d'une conduite de mesure rigide ou utiliser le montage sur paroi avec les tiges de montage existantes.
6. Raccords process 2 x G 1/4 filetage femelle, raccord vertical, en ligne, distance par rapport au centre 26 mm, position de fonctionnement NP 90 (position nominale) selon DIN 16257 (c'est-à-dire cadran vertical), réalisation des filetages des bouchons de raccordement de préférence en conformité avec EN 837-3 (section 7.3.2).
7. Avant d'installer l'instrument, nettoyer les conduites de mesure en tapant et en soufflant ou en rinçant.
8. Protégez les instruments de mesure contre la contamination et les variations de température élevées.
9. Le manomètre doit être monté sans entraîner de vibrations et doit être aligné de façon qu'il puisse être bien lu. Il est recommandé d'interposer un dispositif d'isolement entre le point de mesure de la pression et l'instrument, afin de permettre le remplacement de l'instrument et un contrôle du point zéro lors du fonctionnement de l'installation. Protéger l'instrument contre un encrassement important et contre d'importantes fluctuations de la température ambiante.
10. Pour sceller les connexions, utiliser des joints d'étanchéité plats, des bagues d'étanchéité de type lentille ou des joints à écrasement WIKA. Les raccords avec écrou de réglage gauche/droit ou écrou-chapeau permettent de positionner l'instrument pour une meilleure lisibilité. Pour le montage ou le démontage de l'instrument, la force nécessaire ne doit pas être exercée via le boîtier, mais uniquement sur les méplats de clé du raccord !

FR

2.3 Sécurité fonctionnelle de la version SIL

2.3.1 Généralités

Les informations suivantes concernant la sécurité fonctionnelle sont valides en conjonction avec les autres parties de ce mode d'emploi et avec les documents mentionnés au chapitre 2.3.2 "Autre documentation applicable concernant l'instrument".

Le mode d'emploi donne des indications importantes concernant l'utilisation du manomètre différentiel DPGS40TA.100-xxS. Il est possible de travailler en toute sécurité avec ce produit en respectant toutes les consignes de sécurité et d'utilisation.

FR



Seul le type DPGS40TA.100-xxS convient pour travailler sur des applications de sécurité!

Le marquage sur la plaque signalétique pour les instruments avec version SIL est indiqué dans les illustrations suivantes.

2.3.2 Autre documentation d'instrument applicable

En plus de cette section, les autres parties de ce mode d'emploi, 14106549, pour le type DPGS40TA.100-xxS, la fiche technique PV 27.22 et le certificat 968/V 1169.01/21 (voir annexe 2) s'appliquent également.

2.3.3 Normes pertinentes

Standard	Titre
CEI 61508 édition 2.0	Sécurité fonctionnelle des systèmes électriques/électroniques/programmables relatifs à la sécurité
CEI 61511 édition 1.0	Sécurité fonctionnelle – Systèmes de sécurité actifs pour les procédés industriels
ISO EN 13849-1:2008	Sécurité des installations – Composants de systèmes de contrôle ayant trait à la sécurité – Partie 1 : Principes généraux de conception

2.3.4 Abréviations

Abréviation	Description
$\lambda_S + \lambda_D$	λ_S safe + λ_D dangerous C'est la somme de tous les taux moyens d'erreur pour le système. Une erreur sûre se produit si, à ce moment-là, le système de mesure demeure dans un état de fonctionnement ou si la détection d'erreur est signalée par une alarme. Une erreur conduisant à un danger se produit si le système, à cause de cela, peut commuter vers une situation dangereuse ou inopérable au niveau fonctionnement.
λ_{DD}	λ_{DD} dangerous detected Avec des erreurs conduisant à un danger qui sont détectées, l'échec est détecté par des tests de diagnostic ou de vérification, par exemple, qui localisent là où le système passe en état sûr.
λ_{DU}	λ_{DU} dangerous undetected Avec une erreur conduisant à un danger qui serait non détecté, l'erreur ne sera pas détectée par des tests de diagnostic.
Mode de fonctionnement avec taux de sollicitation faible	Dans ce mode de fonctionnement, la fonction de sécurité du système de sécurité n'est effectuée que sur demande. La fréquence de cette demande ne dépasse pas une fois par an.
Mode de fonctionnement avec fort taux de sollicitation	Dans ce mode de fonctionnement, la fonction de sécurité du système de sécurité n'est effectuée que sur demande. La fréquence de cette requête est supérieure à une fois par an.
DC	Couverture de diagnostic Pourcentage d'erreurs conduisant à un danger qui sont détectées par des tests de diagnostic en ligne automatiques.
HFT	Tolérance d'erreur matériel Capacité d'une unité fonctionnelle à continuer l'exécution de la fonction demandée lorsque des erreurs ou des déviations se produisent.

2. Sécurité

Abréviation	Description
SIL	Niveau d'intégrité de sécurité Le niveau d'intégrité de sécurité, le standard international CEI 61508 définit quatre niveaux d'intégrité de sécurité discrets (SIL 1 à SIL 4). Chaque niveau correspond à un éventail de probabilité avec lequel un système de sécurité effectue les fonctions de sécurité spécifiées en accord avec les exigences. Plus le niveau d'intégrité de sécurité est élevé, plus la probabilité est grande que la fonction de sécurité soit exécutée.
PL	Performance level (Niveau de performance) ; le standard international EN ISO 13849 1 définit cinq niveaux de performance discrets (PL a à PL e). Chaque niveau correspond à une capacité de la part des pièces des systèmes de contrôle relatives à la sécurité d'effectuer une fonction de sécurité dans des conditions prévisibles.
Moon Architecture (M out of N)	L'architecture décrit la configuration spécifique du hardware et du logiciel (software) dans un système. N est le nombre de canaux parallèles et M définit combien de canaux doivent fonctionner correctement.
PF_Davg	Probabilité moyenne d'une défaillance dangereuse sur sollicitation de la fonction de sécurité dans le mode de fonctionnement à faible sollicitation
T_i ou T_{proof}	Intervalle des tests de vérification (en heures, typiquement un an (8.760 h)). En respectant cette fréquence, on effectuera le test de vérification.
PFH_D	Fréquence moyenne d'une erreur dangereuse sur sollicitation de la fonction de sécurité dans le mode de fonctionnement à forte sollicitation
SFF	Fraction de défaillance sûre
MTTF_D	Durée moyenne jusqu'à l'apparition d'une défaillance dangereuse
B_{10d}	Nombre de cycles avant que 10 % des composants aient failli de manière dangereuse
n_{op}	Nombre moyen d'opérations par an
Facteur β	Facteur pour une erreur due à des causes courantes, en termes d'interaction de plusieurs canaux

FR

2.3.5 Usage prévu dans des applications de sécurité

Toutes les fonctions de sécurité se rapportent exclusivement à la fonction de commutation de l'instrument. L'affichage de la pression différentielle ne fait pas partie de la fonction de sécurité.

L'instrument convient pour un usage dans des systèmes de sécurité à un seul canal en conformité avec CEI 61508 et CEI 61511 jusqu'à SIL 2. Dans une configuration redondante ($HFT \geq 1$), les instruments peuvent être utilisés dans une version redondante allant jusqu'à SIL 3.

L'instrument convient pour un usage dans des systèmes de sécurité à un seul canal en conformité avec ISO 13849 jusqu'à PL d. Dans une configuration redondante ($HFT \geq 1$), l'instrument peut être utilisé jusqu'à PL e, si un diagnostic externe suffisant est mis en oeuvre (DC faible pour PL d / moyen pour PL e).

FR



AVERTISSEMENT !

Les valeurs de l'instrument relatives à la sécurité doivent être comparées, selon le cas particulier, avec les exigences de l'application. Les paramètres spécifiques doivent toujours être considérés dans le respect de la fréquence de commutation attendue.

2.3.6 Restrictions concernant le mode de fonctionnement



AVERTISSEMENT !

Dans les conditions de fonctionnement suivantes, la fonction de sécurité de l'instrument n'est pas garantie :

- Lors du réglage des points de seuil

2.3.7 Fonction de sécurité

La fonction de sécurité de l'instrument fait que, dans le cas d'une pression différentielle en baisse, les commutateurs respectifs vont s'ouvrir. Utiliser les contacts inverseurs de sorte que le circuit s'ouvre sur une pression différentielle en baisse (observer le principe de circuit fermé).

2.3.8 Précision de la fonction de commutation de sécurité

Les informations suivantes au sujet de la précision de sécurité totale contiennent :

- Précision de base (écart de mesure, erreur de linéarisation)
- Influence de la température ambiante sur l'étendue -10 °C ... +70 °C
- Influence de jusqu'à 259.835 cycles de charge

La précision de sécurité totale est de -12 % ... +8 % de l'intervalle de mesure pour la pression différentielle.

FR 2.3.9 Limites de fonctionnement

Pression de service : Voir cadran

Pression différentielle : Voir cadran

Température ambiante : -10 ... +70 °C (fonctionnement)

Température ambiante : -40 ... +70 °C (stockage)

Température du fluide : -10 ... +90 °C

(La température sur l'instrument de mesure ne doit pas excéder 70 °C)

2.3.10 Changements de configuration

Le réglage des points de seuil est effectué en usine en conformité avec les informations de commande. Vérifier les points de seuil après un changement par l'opérateur. Mettre à jour le marquage, par exemple à l'aide d'un autocollant approprié. Protéger l'instrument contre les modifications des points de seuil, par le plombage des éléments de réglage.



AVERTISSEMENT !

Après chaque procédure de configuration, vérifier la fonction de sécurité en la testant.

2.3.11 Mise en service

Toutes applications

Vérifier le fonctionnement de la fonction de commutation du manomètre différentiel DPGS40TA.100-xxS lors de la mise en service et à intervalles réguliers raisonnables. La nature du contrôle ainsi que les intervalles choisis sont de la responsabilité de l'utilisateur.

Informations complémentaires pour les applications à faible taux d'exigence

L'intervalle pour le test de vérification se conforme à la valeur PFD_{avg} indiquée dans le standard. Normalement, le contrôle a lieu tous les ans, voir certificat 968/V 1169.01/21.

FR

2.3.12 Test de vérification de la fonction de sécurité

Au moyen d'un test de la fonction de sécurité dans son ensemble, vérifiez si le commutateur fonctionne correctement.

2.3.13 Informations concernant la détermination de paramètres relatifs à la sécurité

Les taux d'erreur des instruments ont été déterminés au moyen de méthodes statistiques en accord avec CEI 61508 sur la base d'un examen de type pour le DPGS40TA.100-xxS.

L'instrument est conçu pour des applications avec des taux d'exigence faibles ou élevés.



AVERTISSEMENT !

La durée de vie maximale d'un système relatif à la sécurité est de 5 ans, augmentée d'une réserve de 1,5 an. Toute utilisation plus longue sera de la responsabilité de l'opérateur.

2.3.14 Paramètres relatifs à la sécurité spécifiques à l'instrument

Les paramètres relatifs à la sécurité pour une utilisation dans des systèmes intégrés de sécurité en conformité avec CEI 61508, CEI 61511 et ISO 13849 se trouvent dans le certificat 968/V 1169.01/21, voir annexe 2 de ce mode d'emploi.

2.3.15 Mise hors service de l'instrument



AVERTISSEMENT !

Assurez-vous que les instruments qui ont été mis hors service ne soient pas remis en service accidentellement (par exemple par marquage de l'instrument). Après avoir remplacé l'instrument, procéder à un test de fonction de la totalité de la sécurité fonctionnelle (boucle de sécurité), pour vérifier si la sécurité fonctionnelle du système demeure garantie. Les tests de fonction ont pour but de prouver que la totalité du système de sécurité fonctionne correctement, ainsi que tous les instruments (capteur, unité logique, actionneur).

2.4 Qualification du personnel



AVERTISSEMENT !

Danger de blessure en cas de qualification insuffisante !

Une utilisation non conforme peut entraîner d'importants dommages corporels et matériels.

- Les opérations décrites dans ce mode d'emploi ne doivent être effectuées que par un personnel ayant la qualification décrite ci-après.

FR **Personnel qualifié**

Le personnel qualifié est, en raison de sa formation spécialisée, de ses connaissances dans le domaine de la technique de mesure et de régulation et de ses expériences de même que de sa connaissance des prescriptions nationales, des normes et directives en vigueur, en mesure d'effectuer les travaux décrits et de reconnaître automatiquement les dangers potentiels.

2.5 Dangers particuliers



AVERTISSEMENT !

Dans le cas de fluides de mesure dangereux comme notamment les substances combustibles ou toxiques, ainsi que dans le cas d'installations de réfrigération, de compresseurs etc., les directives appropriées existantes doivent être observées en plus de l'ensemble des règles générales.



AVERTISSEMENT !

Les restes de fluides se trouvant dans des instruments de mesure démontés peuvent mettre en danger les personnes, l'environnement ainsi que l'installation.

Prendre des mesures de sécurité suffisantes.



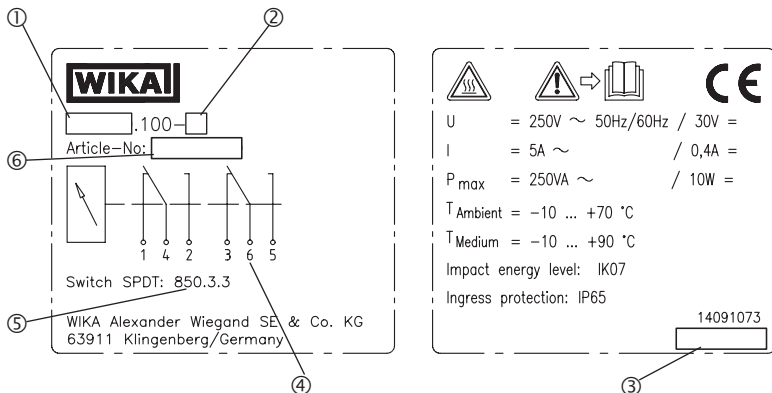
AVERTISSEMENT !

La température de surface maximum admissible de l'instrument ne doit pas dépasser la température d'inflammation de fluides inflammables.

Prendre des mesures de sécurité suffisantes.

2.6 Etiquetage, marquages de sécurité

Plaque signalétique



Cadran (exemple)



- ① Type DPGS40TA
- ② Code 1er chiffre : E = Microrupteur simple 850.3
D = Microrupteur double 850.3.3
2e chiffre : S = Limiteur de flux, voir chapitre 2.2 "Instructions complémentaires pour une utilisation comme limiteur de flux"
3e chiffre : S = Version SIL
- ③ Date de fabrication
- ④ Configuration du raccordement
- ⑤ Type de contact
- ⑥ Numéro d'article
- ⑦ Pression maximale admissible PS selon la directive européenne relative aux équipements sous pression
- ⑧ Numéro de série

Explication des symboles



Lire impérativement le mode d'emploi avant le montage et la mise en service de l'instrument !



Danger de brûlure !

Situation présentant des risques dues à des surfaces chaudes.

En raison de la température de process maximum admissible de 90 °C, les cellules de mesure, adaptateurs, robinets ou autres éléments de montage peuvent atteindre des températures de 90 °C.

3. Spécifications

3. Spécifications

Conformément à la norme EN 61010-1:2010, les valeurs d'isolement (distances d'isolement dans l'air et lignes de fuite) doivent permettre une utilisation dans les conditions ambiantes suivantes :

- Altitude jusqu'à 2.000 m
- Catégorie de surtension II
- Degré de pollution 2
- Humidité relative 0 ... 95 % sans condensation (selon DIN 40040)

La résistance des instruments de mesure (composants de revêtement non métalliques) a été testée avec une énergie d'impact réduite de 2 J, correspondant à IK07 au sens de la norme EN 61010-1:2010. Le code IK figure sur la plaque signalétique correspondante.

FR

Spécifications

Diamètre	Indication de pression différentielle : Ø 100 mm Indication de la pression de fonctionnement : Ø 22 mm
Incertitude	Indication de pression différentielle : ≤ 2,5 % de l'échelle (option ≤ 1,6 %) Indication de la pression de fonctionnement : ≤ 4 % de l'échelle
Echelles de mesure (EN 837)	Pression différentielle : 0 ... 0,25 jusqu'à 0 ... 10 bar Pression de fonctionnement : 0 ... 25 bar
Pression de fonctionnement max. (stat.)	25 bar
Surpression admissible	Max. 25 bar Sur un côté, deux côtés et en alternance sur le côté ⊕ et ⊖
Températures admissibles	Ambiante : -10 ... +70 °C, fluide : -10 ... +90 °C Stockage : -40 ... +70 °C
Indice de protection	IP65 selon CEI/EN 60529
Chambre de mesure (contact avec fluide)	Aluminium, EN AC-Al Si9Cu3(Fe), peint en noir (option : acier inox)
Raccordement process (contact avec fluide)	2 x G 1/4, femelle, raccord vertical (LM), en ligne, entraxe 26 mm
Organe moteur (contact avec le fluide)	Pression différentielle : ressorts de compression en acier inox 1.4310 et membrane de séparation en FPM/FKM (option : NBR) Pression de fonctionnement : tube manométrique en alliage de cuivre
Pièces de transmission (contact avec fluide)	Acier inox 1.4301, 1.4305, 1.4310, FPM/FKM (option : NBR)

3. Spécifications

Spécifications

Joint d'étanchéité (contact avec le fluide)	FPM/FKM (option : NBR)
Mouvement	Alliage de cuivre
Cadran	Indication de la pression différentielle et de la pression de fonctionnement : cadran blanc, inscriptions en caractères noirs
Aiguille	Indication de la pression différentielle et de la pression de fonctionnement : aiguille bleue
Réglage du zéro pour l'indication de pression différentielle	Au moyen de la vis située sur le cadran
Boîtier	Aluminium, EN AC-Al Si9Cu3(Fe), peint en noir
Voyant	Plastique, avec vis de blocage pour le réglage du zéro et du point de seuil (option : plombage des éléments de réglage)

Contact électrique

Type de contact	Microrupteur
Fonction du contact Contact inverseur simple Contact inverseur double	Type de contact 850.3 Type de contact 850.3.3
Données de charge U max., I max., P max.	AC 250 V, 5 A ¹⁾ , 250 VA 30 VDC, 0,4 A, 10 W
Réglage du point de seuil	Depuis l'extérieur sur l'échelle auxiliaire par vis de réglage
Plage de réglage	De 10 % à 100 % de la valeur pleine échelle
Reproductibilité du point de seuil	≤ 1,6 %
Ecart	Max. 5 % de la valeur pleine échelle (option : max. 2,5 %)
Raccordement électrique	Presse-étoupe M20 x 1,5 avec 1 m de câble libre

1) I max. = 1,4 A pour des versions en accord avec le code de pratique VdTÜV "Flux 100"

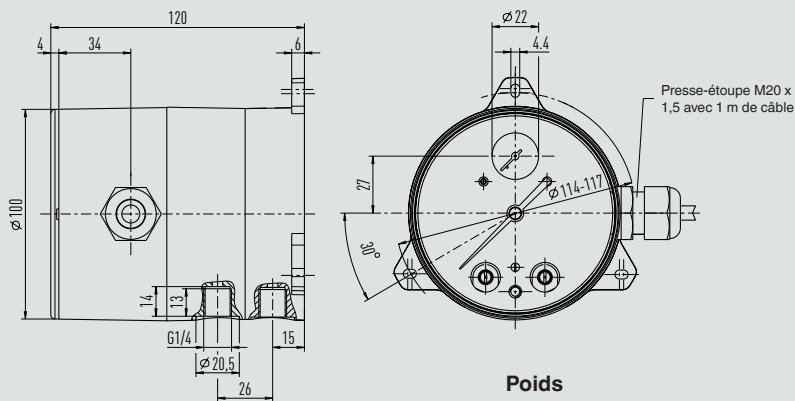
Pour de plus amples spécifications, voir la plaque signalétique correspondante, la fiche technique WIKA et la documentation de commande.

Pour les types avec protection contre les explosions, lire les "Informations complémentaires concernant les zones explosives (Ex i), types DPS40, DPGS40, DPGS40TA et DPGT40", numéro d'article 14110818.

3. Spécifications

Dimensions en mm

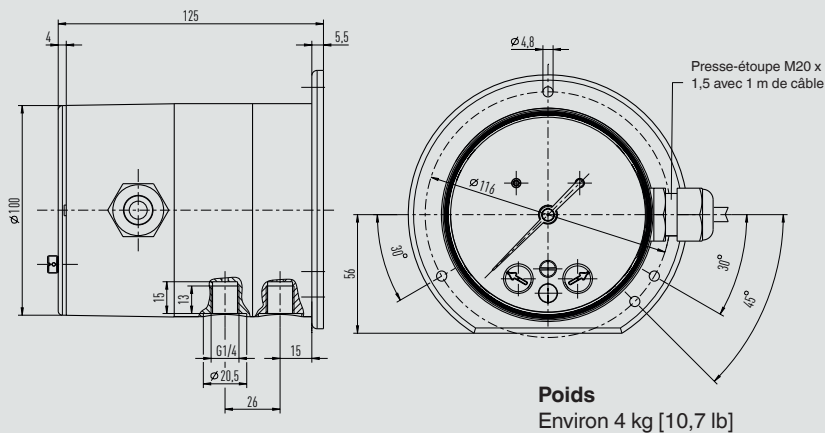
Avec chambre de mesure en aluminium



14078112.01

FR

Avec chambre de mesure en acier inox



14413389.01

4. Conception et fonction

4. Conception et fonction

4.1 Description

Les pressions p_1 et p_2 s'exercent sur les chambres \oplus et \ominus qui sont séparées par une membrane élastique (1).

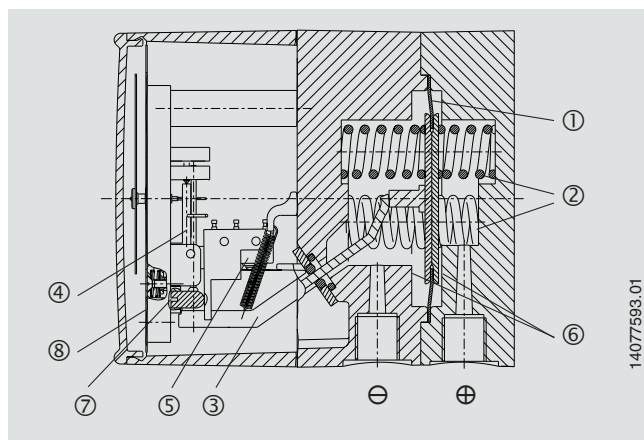
La pression différentielle ($\Delta p = p_1 - p_2$) provoque un déplacement de la membrane (course de mesure) contre les ressorts (2) liés à l'étendue de mesure.

FR

La déformation, qui est proportionnelle à la pression différentielle, est transmise au mouvement (4) dans le boîtier de l'afficheur et aux ressorts à lame des microrupteurs (5) par l'intermédiaire d'un arbre à cames antidéflagrant et à faible frottement (3).

La protection contre les surpressions est assurée par des renforts profilés (6) pour la membrane élastique.

Le réglage du point de seuil se fait par les vis de réglage accessibles depuis l'avant (7). Les échelles auxiliaires (8) facilitent le réglage des points de seuil.



4.2 Détail de la livraison

Comparer le détail de la livraison avec le bordereau de livraison.

5. Transport, emballage et stockage

5.1 Transport

Vérifier s'il existe des dégâts sur le manomètre différentiel liés au transport. Signaler immédiatement les défauts détectés.

5.2 Emballage

N'enlever l'emballage qu'avant le montage.

Conserver l'emballage, celui-ci offre, lors d'un transport, une protection optimale (par ex. changement de lieu d'utilisation, renvoi pour réparation).

5.3 Stockage

Conditions admissibles sur le lieu de stockage

Température de stockage : -40 ... +70 °C

Afin d'éviter des dommages, il faut respecter les points suivants concernant le stockage des instruments :

- Laisser les instruments dans leur emballage d'origine
- Suite à tout déplacement éventuel des instruments de mesure, par exemple pour des essais, l'instrument doit à nouveau être stocké dans son emballage d'origine

Eviter les influences suivantes :

- Lumière solaire directe ou proximité d'objets chauds
- Vibrations mécaniques, chocs mécaniques (mouvements brusques en le posant)
- Suie, vapeur, poussière, humidité et gaz corrosifs
- Environnements dangereux, atmosphères inflammables



AVERTISSEMENT !

Enlever tous les restes de fluides adhérents avant l'entreposage de l'instrument. Cela est particulièrement important lorsque le fluide représente un danger pour la santé, p. ex. des substances corrosives, toxiques, cancérigènes, radioactives etc.

6. Mise en service, utilisation

6.1 Raccordement mécanique

- Conformément aux règles techniques générales pour les manomètres (par ex. EN 837-2 "Recommandations sur le choix et l'installation des manomètres").
- Installer les connexions de pression conformément aux symboles apposés : \oplus pression haute, \ominus pression basse.
- Raccords process 2 x G 1/4 filetage femelle, raccord vertical, en ligne, distance par rapport au centre 26 mm, position de fonctionnement NP 90 (position nominale) selon DIN 16257 (c'est-à-dire cadran vertical), réalisation des filetages des bouchons de raccordement de préférence en conformité avec EN 837-3 (section 7.3.2).
- Avant d'installer l'instrument, nettoyer les conduites de mesure en tapant et en soufflant ou en rinçant.
- Protéger les instruments de mesure contre la contamination et les variations de température élevées !
- Monter l'instrument à l'abri des vibrations et l'aligner de manière à en faciliter la lecture. Il est recommandé d'interposer un dispositif d'isolement entre le point de mesure de la pression et l'instrument, afin de permettre le remplacement de l'instrument et un contrôle du point zéro lors du fonctionnement de l'installation. Protéger l'instrument contre un encrassement important et contre d'importantes fluctuations de la température ambiante.
- Pour sceller les connexions, utiliser des joints d'étanchéité plats, des bagues d'étanchéité de type lentille ou des joints à écrasement WIKA. Les raccords avec écrou de réglage gauche/droit ou écrou-chapeau permettent de positionner l'instrument pour une meilleure lisibilité. Pour le montage ou le démontage de l'instrument, la force nécessaire ne doit pas être exercée via le boîtier, mais uniquement sur les méplats de clé de l'embout de raccordement !

Montage mural

Installation utilisant trois languettes de fixation coulées d'un seul tenant

Charge de température



AVERTISSEMENT !

Dans l'application finale, s'assurer que l'instrument ne s'échauffe pas à plus de 70 °C malgré des températures des fluides > 70 °C. Au montage de l'instrument, veiller à ce que la température de fonctionnement admissible de l'instrument de mesure soit respectée, compte tenu des influences de convection et de rayonnement thermique !

Protéger l'instrument et le robinet d'isolement à l'aide de conduites de mesure ou de siphons suffisamment longs.

Considérer l'influence de la température sur la précision d'indication et de mesure.









La température maximale réelle de la surface ne dépend pas de l'appareil même, mais principalement de la température du fluide! Avec les substances gazeuses, la température pourrait augmenter à la suite d'un échauffement de compression.

Dans ces cas-là, il peut s'avérer nécessaire d'accélérer le taux de changement de pression ou de réduire la température du fluide admissible.

6. Mise en service, utilisation

Installations de mesure

Installations de mesure éprouvées pour différents types de fluides. Les installations qui sont particulièrement recommandées sont indiquées ci-dessous.

	Fluides liquides			Fluides gazeux		
	Liquide	Liquide avec vapeur	Complètement vaporisé	Gazeux	Partiellement condensé (humide)	Complètement condensé
Remplissage de la conduite de mesure						
Exemples	Condensat	Liquides bouillants	"Gaz liquéfiés"	Air sec	Air humide gaz de combustion	Vapeur
Manomètre au-dessus du point de mesure						
Manomètre en-dessous du point de mesure						

FR

Installations de mesure

Les installations de mesure préconisées pour diverses applications possibles sont spécifiées dans DIN 19216.

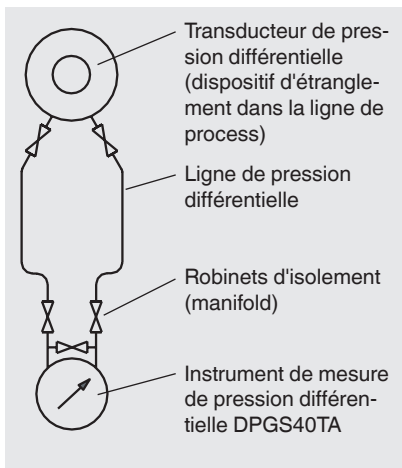
Le diagramme schématique suivant montre une installation recommandée pour des fluides liquides. En tant que dispositifs d'étranglement, les transducteurs de pression différentielle doivent être fournis en accord avec la norme DIN 1952 (édition 07.82), maintenant remplacée par EN 5167/1.

Vérifier que les conduites de pression différentielle sont en métal, que leur orifice n'est pas inférieur à 4 mm et que la longueur effective entre le collecteur de souppape et l'instrument de mesure de pression différentielle est d'au moins 500 mm.

La longueur et l'orifice des conduites de pression différentielle doivent être dimensionnés de manière à ce que, sur des conduites froides, le temps de réponse de l'instrument de mesure de pression ne dépasse pas 5 secondes.

Vérifier que les connexions des conduites de pression différentielle sont soudées, brasées ou vissées au moyen d'éléments d'étanchéité en métal.

Les dispositifs d'isolement des conduites de pression différentielle ne peuvent être actionnés qu'à l'aide d'outils.



6.2 Raccordement électrique

- Les travaux de raccordement électrique ne doivent être effectués que par du personnel qualifié.
- L'affectation des branchements et les fonctions de commutation sont indiquées sur la plaque signalétique. Les bornes de raccordement sont marquées en conséquence.
- Prévoir des câbles de raccordement au réseau adaptés à la consommation de courant maximale de l'appareil et conformes aux spécifications des normes CEI 227 ou CEI 245.
- Inclure les instruments dans la liaison équipotentielle de l'installation.

Pour les données de performance, voir chapitre 3 "Spécifications"

Consignes de sécurité pour l'installation



- Suivre les instructions d'installation et de sécurité mentionnées dans les instructions d'utilisation.
- Installer les instruments conformément aux instructions du fabricant et aux normes et réglementations en vigueur.

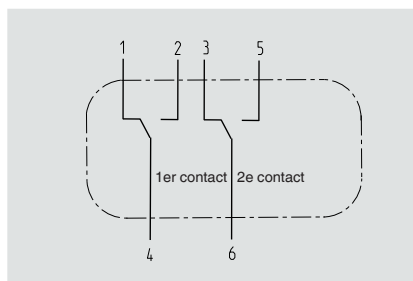
- Aucun dispositif de protection de surtension n'est installé dans les instruments !
- Mettre en service des systèmes de protection adaptés pour éviter la soudure des contacts sous l'effet d'une surcharge !
- Raccorder uniquement des circuits ayant la même tension et la même classe de protection aux contacts électriques et aux câbles de raccordement.
- Limiter le courant maximum, à l'aide de mesures externes, à une valeur de VAC 250, 5 A ¹⁾, avec charge résistive, par circuit.
- Déterminer la taille des câbles de raccordement pour la plus grande intensité de courant électrique dans les circuits.

1) Limitation de courant divergente I max. = 1,4 A pour des versions en accord avec le code de pratique VdTÜV "Flux 100"

Les informations exactes pour la configuration du raccordement et l'alimentation électrique requise sont indiquées sur la plaque signalétique du produit placée sur la circonférence du boîtier. Des exemples de configuration du raccordement sont montrés ci-dessous.

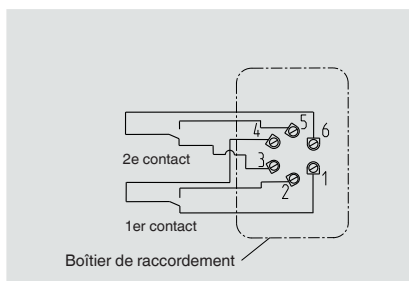
Exemple, configuration du raccordement 1 :

Presse-étoupe et câble



Exemple, configuration du raccordement 2 :

Prise de câble ou connecteur coudé selon DIN 43651



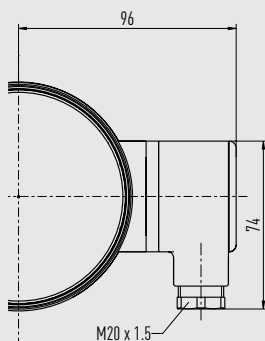
Pour le circuit de sécurité, qui va éteindre le chauffage si le générateur de vapeur tombe sous la valeur minimum de flux, seul le contact normalement ouvert du contact inverseur doit être raccordé (c'est-à-dire avec $\Delta p = 0$ circuit ouvert) !

6. Mise en service, utilisation

- Tensions supérieures à 50 VAC ou 75 VDC :
 - Ne pas raccorder simultanément les circuits avec des circuits à très basse tension de sécurité ou des circuits de type TBTS (Très basse tension de sécurité) ou des circuits à très basse tension de protection (TBTP).
 - Les circuits doivent être munis d'un dispositif, externe à l'instrument de mesure, qui permet à l'instrument d'être isolé de l'alimentation électrique. Celui-ci doit être aisément accessible et être marqué comme étant le dispositif d'isolation pour l'instrument.
 - Les câbles pour le circuit doivent satisfaire aux exigences d'isolation et être conformes, par exemple, aux normes CEI 60227 ou CEI 60245.
- Pour les câbles de raccordement flexibles, utiliser des embouts isolés.
- Les câbles de raccordement doivent être conformes à la plage de température ambiante de l'application.
- Sceller l'entrée de câble avec les presse-étoupes homologués adéquats.

FR

Conception de boîtier de raccordement



Utiliser seulement
un câble ayant
un diamètre de
7 ... 13 mm

14078258.01

- Installer les câbles de raccordement en toute sécurité.

Réglage du point de seuil et du point zéro

Le réglage du point de seuil et du point zéro se fait par des vis de réglage à l'avant, auxquelles on accède en démontant les vis de serrage.

En tournant la vis de réglage avec un tournevis, on règle le point zéro désiré.

Si les valeurs de consigne sont indiquées, les points de seuil sont réglés en usine. Une échelle auxiliaire facilite le réglage du point de seuil.

FR Si on exige un réglage précis du point de seuil, on utilisera un calibre pour le réglage.



Il faut remettre les vis de blocage à la suite d'un réglage de la commutation ou du point zéro, car sinon l'indice de protection déclaré ne pourra être maintenu.

6.3 Mise en service

Lors de la mise en service, éviter absolument les coups de bélier. Ouvrir lentement les robinets d'isolement.

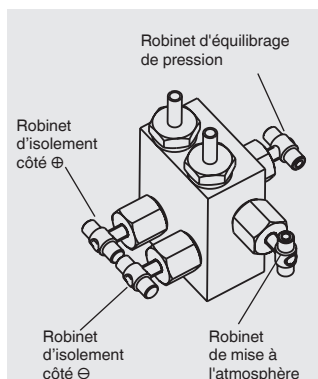
7. Options et accessoires

7.1 Manifold 4 voies

- Isoler les lignes de process \oplus et \ominus pour **retirer** ou **tester** l'instrument de mesure sans interrompre le fonctionnement du process en cours.

Protection de l'instrument contre une surpression, telle que dans les tests de pression et des conditions de fonctionnement indéfinies (y compris la fermeture intermittente).

- Compensation de pression pour **test du point zéro** avec des process en cours, en évitant une surpression d'un seul côté lors des phases de démarrage et de fonctionnement (avec soupape de compensation de pression ouverte).
- **Mise à l'atmosphère** des lignes de mesure avec des fluides liquides et un **rinçage** des lignes de mesure pour supprimer la contamination.



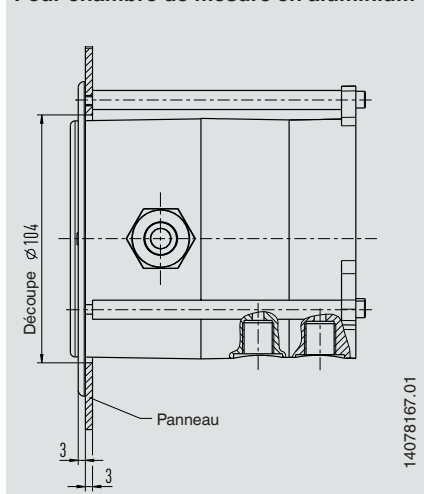
Spécifications pour la manipulation

- Suite d'opérations à effectuer pour **démarrer la mesure**
 1. Ouvrir la soupape de compensation de pression (tige médiane de l'aiguille de soupape)
 2. Ouvrir le robinet d'isolement sur la chambre de fluide négative (\ominus , soupape de droite) et sur la chambre de fluide positive (\oplus , soupape de gauche)
 3. Fermer la soupape de compensation de pression
- Suite d'opérations à effectuer pour **rincer/mettre à l'atmosphère** les lignes de mesure
 1. Pour démarrer : ouvrir le robinet d'isolement pour les chambres de fluide \oplus et \ominus , ouvrir la soupape de compensation de pression et la soupape de mise à l'atmosphère
 2. Pour terminer : fermer la soupape de compensation de pression et la soupape de mise à l'atmosphère
- Suite d'opérations à effectuer pour terminer la mesure (aussi fermeture temporaire)
 1. Ouvrir la soupape de compensation de pression
 2. Fermer le robinet d'isolement pour les chambres de fluide \oplus et \ominus
- Suite d'opérations à effectuer pour démonter l'instrument de mesure avec un process en cours
 1. Fermer le robinet d'isolement pour les chambres de fluide \oplus et \ominus
 2. Ouvrir la soupape de mise à l'atmosphère

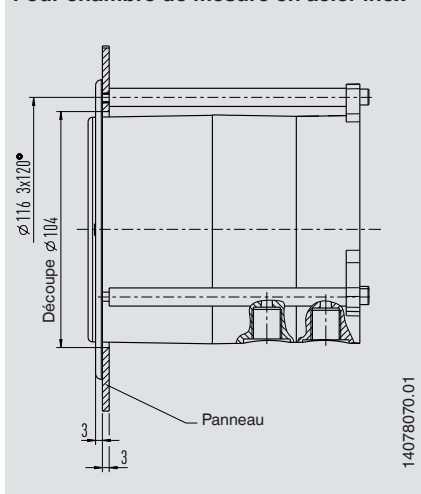
FR

7.2 Collerette avant pour montage panneau

Pour chambre de mesure en aluminium



Pour chambre de mesure en acier inox



8. Entretien

Les instruments ne requièrent aucun entretien.

Un contrôle de l'affichage et de la fonction de commutation est recommandé 1 à 2 fois/an. Pour contrôler l'affichage et la fonction de commutation, l'appareil doit être isolé du processus de mesure et contrôlé à l'aide d'un dispositif de contrôle de la pression.

Les réparations ne doivent être effectuées que par le fabricant.

FR

9. Démontage, retour et mise au rebut



AVERTISSEMENT !

Les restes de fluides se trouvant dans des instruments de mesure démontés peuvent mettre en danger les personnes, l'environnement ainsi que l'installation.

Prendre des mesures de sécurité suffisantes.

9.1 Démontage

Déconnecter l'instrument de mesure seulement si le système a été mis hors pression et l'alimentation électrique a été coupée !

Si nécessaire, la conduite ou la cuve doit avoir un dispositif de détente.

9.2 Retour

Lavez ou nettoyez l'instrument de mesure démonté avant de le renvoyer pour protéger le personnel et l'environnement contre l'exposition à des substances résiduelles.

9.3 Mise au rebut

Une mise au rebut inadéquate peut entraîner des dangers pour l'environnement. Éliminer les composants des instruments et les matériaux d'emballage conformément aux prescriptions nationales pour le traitement et l'élimination des déchets et aux lois de protection de l'environnement en vigueur.

Contenido

1. Información general	96
2. Seguridad	97
2.1 Uso conforme a lo previsto	97
2.2 Instrucciones adicionales para el funcionamiento como limitador de caudal	98
2.3 Seguridad funcional de la versión SIL	100
2.4 Cualificación del personal	106
2.5 Riesgos específicos	106
2.6 Rótulos / marcajes de seguridad	107
3. Datos técnicos	109
4. Diseño y función	112
4.1 Descripción	112
4.2 Alcance del suministro	112
5. Transporte, embalaje y almacenamiento	113
5.1 Transporte	113
5.2 Embalaje	113
5.3 Almacenamiento	113
6. Puesta en servicio, funcionamiento	114
6.1 La conexión mecánica	114
6.2 Conexión eléctrica	117
6.3 Puesta en servicio	120
7. Opciones y accesorios	120
7.1 Manifold cuádruple.	120
7.2 Borde frontal	121
8. Mantenimiento	122
9. Desmontaje, devolución y eliminación de residuos	122
9.1 Desmontaje	122
9.2 Devolución	122
9.3 Eliminación de residuos	122
Anexo 1: Certificado DNV	115
Anexo 2: Certificado SIL	117
Anexo 3: Certificado TÜV “Caudal 100”	119
Anexo 4: Declaración de conformidad, modelos DPS40, DPGS40, DPGS40TA	120
Anexo 5: Declaración de conformidad, modelo DPGS40TA.100-*S*	122

Declaraciones de conformidad puede encontrar en www.wika.es.

1. Información general

- El instrumento descrito en el manual de instrucciones está construido y fabricado según el estado actual de la técnica. Todos los componentes están sometidos durante su fabricación a estrictos criterios de calidad y medioambientales. Nuestros sistemas de gestión están certificados según ISO 9001 e ISO 14001.
- Este manual de instrucciones proporciona indicaciones importantes acerca del manejo del instrumento. Para un trabajo seguro, es imprescindible cumplir con todas las instrucciones de seguridad y manejo indicadas.
- Cumplir siempre las normativas sobre la prevención de accidentes y las normas de seguridad en vigor en el lugar de utilización del instrumento.
- El manual de instrucciones es una parte integrante del instrumento y debe guardarse en la proximidad del mismo para que el personal especializado pueda consultarlo en cualquier momento.
- El personal especializado debe haber leído y entendido el manual de instrucciones antes de comenzar cualquier trabajo.
- En caso de interpretación diferente de las instrucciones de uso traducidas y las inglesas, prevalecerá la redacción inglesa.
- En este documento se utiliza el masculino genérico para una mejor legibilidad. Se incluye explícitamente la identidad femenina y otras identidades de género.
- Se aplican las condiciones generales de venta incluidas en la documentación de venta.
- Sujeto a modificaciones técnicas.
- Los certificados de calibración se emiten conforme a los estándares internacionales.
- Para obtener más información consultar:
 - Sitio web: www.wika.es / www.wika.com
 - Hojas técnicas correspondientes: PV 27.22

Explicación de símbolos



¡ADVERTENCIA!

... señala una situación potencialmente peligrosa que puede causar la muerte o lesiones graves si no se evita.



Información

... destaca consejos y recomendaciones útiles así como informaciones para una utilización eficiente y libre de errores.

2. Seguridad



¡ADVERTENCIA!

Antes del montaje, la puesta en servicio y el funcionamiento asegurarse de que se haya seleccionado el manómetro diferencial adecuado con respecto a versión y condiciones de medición específicas.

¡Compruebe la compatibilidad con el medio de los materiales sometidos a presión!

Para garantizar la exactitud de medición y la durabilidad del instrumento, se deberán respetar los límites de carga.

Utilice el dispositivo únicamente cuando no tenga corriente.

Riesgo de lesiones graves y/o daños materiales en caso de inobservancia.



Los distintos capítulos de este manual de instrucciones contienen otras importantes indicaciones de seguridad.

ES

2.1 Uso conforme a lo previsto

Los manómetros diferenciales de la línea DELTA se utilizan preferiblemente para la monitorización y control de presiones diferenciales bajas con altas exigencias referente a sobrepresión unilateral y presión estática.

Segmentos típicos para estos productos son la industria naval, la tecnología de procesos térmicos, ingeniería de calefacción, aire acondicionado y ventilación, la industria del agua y de aguas residuales, y la ingeniería mecánica y de plantas industriales. La tarea principal de los instrumentos de medición en estas aplicaciones consiste en la monitorización y el control de filtros, compresores y bombas.

Solamente el modelo DPGS40TA.100-*S* puede utilizarse como limitador de caudal gracias a que dispone de la certificación TÜV correspondiente. Véase el capítulo 2.2 "Instrucciones adicionales para el funcionamiento como limitador de caudal".

El instrumento ha sido diseñado y construido únicamente para la finalidad aquí descrita y debe utilizarse en conformidad a la misma.

No se admite ninguna reclamación debido a un manejo no adecuado.

2.2 Instrucciones adicionales para el funcionamiento como limitador de caudal

Este capítulo aplica solo al modelo DPGS40TA.100-*S*.

Normativa aplicable a equipos de presión

- Tipo de instrumento: Accesorio de seguridad
- Medios: Líquidos o gaseosos, grupo 1 (peligrosos)
- Presión máxima admisible PS, véase el capítulo 2.6 "Rótulos / marcajes de seguridad"
- Volumen de las partes en contacto con el medio: < 0,1 l

2.2.1 Principios de prueba para las pruebas de caudal de componentes

- Código de prácticas VdTÜV "Caudal 100", edición 15-03-2017, en conjunción con el código de prácticas VdTÜV "Generalidades 002", edición 22-02-2019
- Requisitos de seguridad esenciales de la Directiva 2014/68/UE de 15 de mayo de 2014 (directiva sobre equipos de presión)

2.2.2 Restricciones

1. Para los contactos eléctricos, dimensione e instale un fusible con 0,6 veces la corriente nominal.
2. La carga de corriente máxima de los contactos eléctricos no debe ser superior a AC 1,4 A y DC 0,4 A.

2.2.3 Comentarios

1. Uso como limitador. Conecte aguas abajo como limitador un bloqueo externo que cumpla los requisitos especificados en el código de prácticas VdTÜV "Caudal 100", edición 15-03-2017, secciones 3.9, 5.4.1 y 5.6.
2. Siga las instrucciones de puesta en servicio del fabricante.
3. Tipo de protección IP en el prensaestopa de la línea de alimentación. Preste atención a que el diámetro del cable de alimentación utilizado no reduzca el tipo de protección IP del prensaestopa.
4. Siga las instrucciones de instalación del fabricante.

2.2.4 Requisitos especiales de las pruebas antes de la puesta en servicio

1. Comprobación de los requisitos según las secciones "2.2.2 Restricciones" a "2.2.4 Requisitos especiales de las pruebas antes de la puesta en servicio".
2. Prueba de funcionamiento de los instrumentos instalados. En el caso de limitadores, comprobación adicional del circuito de bloqueo aguas abajo.
3. Conforme a las reglas técnicas generales para manómetros (por ejemplo EN 837-2 "Recomendaciones relativas a la selección y montaje de manómetros").

2. Seguridad

- Montaje de las conexiones de presión según símbolos indicados: \oplus alta presión, \ominus baja presión.
- Montaje del instrumento mediante una línea de medición rígida o montaje en pared con soportes existentes.
- Conexiones a proceso 2 x G 1/4, rosca hembra, abajo, una tras otra, distancia entre ejes 26 mm, posición de uso NP 90 según DIN 16257 (es decir, esfera vertical), ejecutar las rosca de los conectores preferentemente según EN 837-3 (sección 7.3.2).
- Antes de montar el instrumento, sacudir o limpiar con aire comprimido o agua las líneas de medición.
- Proteger los instrumentos de medición contra la contaminación y las grandes oscilaciones de temperatura.
- El instrumento de medición de presión debe ser instalado exento de vibraciones y orientado para una fácil lectura. Se recomienda interponer una válvula de cierre entre el punto de toma de presión y el instrumento, que permitirá el reemplazo del instrumento y el control del punto cero durante el funcionamiento. El instrumento debe protegerse contra contaminación y fuertes oscilaciones de la temperatura ambiente.
- Para sellar las conexiones deben utilizarse juntas planas, juntas lenticulares o juntas perfiladas WIKA. El uso de conexiones con tuerca de ajuste a izquierdas-derechas o tuerca loca permiten posicionar el instrumento para una lectura óptima. Para el montaje o el desmontaje del instrumento, la fuerza necesaria no se debe aplicar en la carcasa, sino en los planos de llave de la conexión.

ES

2.3 Seguridad funcional de la versión SIL

2.3.1 Información general

Las siguientes informaciones sobre la seguridad funcional son válidas junto con el resto de este manual de instrucciones y con los documentos mencionados en el capítulo 2.3.2 "Otra documentación de los instrumentos aplicable".

El manual de instrucciones proporciona indicaciones importantes acerca del manejo del manómetro de presión diferencial DPGS40TA.100-xxS. Para un trabajo seguro, es imprescindible cumplir con todas las instrucciones de seguridad y manejo indicadas.

ES



¡Únicamente el modelo DPGS40TA.100-xxS es apropiado para ser utilizado en aplicaciones de seguridad!

El marcaje de los instrumentos de versión SIL en las placas de identificación está representado en las siguientes ilustraciones.

2.3.2 Otra documentación relativa al instrumento

Como complemento a este apartado se aplican las otras partes de este manual de instrucciones 14106549 para el modelo DPGS40TA.100-xxS, la hoja técnica PV 27.22 así como el certificado 968/V 1169.01/21 (véase anexo 2).

2.3.3 Normas relevantes

Estándar	Título
IEC 61508 edición 2.0	Seguridad funcional de sistemas eléctricos/electrónicos/electrónicos programables relativos a la seguridad
IEC 61511 edición 1.0	Seguridad funcional – Sistemas de seguridad para la industria de procesos
ISO EN 13849-1:2008	Seguridad de las máquinas – Partes de los sistemas de mando relativas a la seguridad – Parte 1: Principios generales para el diseño

2.3.4 Abreviaturas

Abreviatura	Descripción
$\lambda_S + \lambda_D$	λ_S seguro + λ_D peligroso Suma de promedio de tasas de fallo del sistema. Existe un fallo seguro si con dicho fallo el sistema de medición permanece en un estado de funcionamiento, o se señala la detección del error mediante una alarma. Se trata de un fallo peligroso cuando este puede motivar que el sistema de medición cambie a un estado peligroso o no funcional.
λ_{DD}	λ_{DD} peligroso - detectado Con fallos peligrosos detectados, el fallo se detecta por ejemplo mediante pruebas diagnósticas o pruebas periódicas para activar un cambio al modo seguro.
λ_{DU}	λ_{DU} peligroso - no detectado En caso de fallos peligrosos no detectados el fallo no es detectado por pruebas diagnósticas.
Modo de funcionamiento de baja demanda	En este modo de funcionamiento, la función de seguridad del sistema de seguridad solo se ejecuta bajo demanda. El número de demandas es inferior de una vez al año.
Modo de funcionamiento de alta demanda	En este modo de funcionamiento, la función de seguridad del sistema de seguridad solo se ejecuta bajo demanda. El número de demandas es superior a una vez al año.
DC	Grado de cobertura del diagnóstico Proporción de los fallos peligrosos detectados por las pruebas diagnósticas automáticas online.
HFT	Tolerancia a error del hardware Tolerancia a errores del hardware; capacidad de una unidad funcional de continuar ejecutando una función solicitada si existen errores o desviaciones.
SIL	Safety Integrity Level La norma internacional IEC 61508 define cuatro niveles de integridad de seguridad discretos (SIL 1 a SIL 4). Cada nivel de seguridad corresponde a una gama de probabilidad en la que un sistema de seguridad ejecuta las funciones de seguridad establecidas según demanda. Cuanto mayor sea el nivel de integridad de los sistemas de seguridad, mayor es la probabilidad de que se ejecute la función de seguridad.

2. Seguridad

Abreviatura	Descripción
PL	Performance Level; La norma internacional EN ISO 13849 1 define cinco Performance Level (PL a hasta PL e). Cada nivel corresponde a una capacidad de los elementos relacionados con la seguridad de un mando para ejecutar una función de seguridad bajo condiciones previsibles.
MooN (M out of N) Arquitectura	La arquitectura describe la configuración específica de elementos de hardware y software en un sistema. N es el número de canales paralelos y M determina cuántos canales deben funcionar correctamente.
ES PFD _{avg}	Probabilidad media de un fallo que pueda conllevar un peligro en caso de demanda de la función de seguridad en el modo de funcionamiento con tasa de demanda baja
T _i o T _{proof}	Intervalo de las pruebas repetitivas (en horas, normalmente un año (8.760 h)). Tras este intervalo se ejecuta la prueba repetitiva (prueba "proof").
PFH _D	Frecuencia media de un fallo que pueda conllevar un peligro en caso de demanda de la función de seguridad en el modo de funcionamiento con tasa de demanda elevada
SFF	Proporción de fallos seguros
MTTF _D	Tiempo medio hasta suceder un fallo que pueda conllevar un peligro
B _{10d}	Cantidad de ciclos hasta que un 10% de los componentes presentan un fallo peligroso
n _{op}	Promedio de operaciones por año
Factor β	Factor para el fallo como resultado de causas conjuntas, respecto a la interacción de varios canales

2.3.5 Uso conforme a lo previsto en aplicaciones de seguridad

Todas las funciones de seguridad se refieren únicamente a la función de conmutación del instrumento. La indicación de la presión diferencial no forma parte de la función de seguridad.

El instrumento es apropiado para ser utilizado en sistemas orientados a la seguridad conforme a IEC 61508 y IEC 61511 de un canal y hasta SIL 2 inclusive. En una configuración redundante ($HFT \geq 1$) pueden utilizarse los instrumentos en versión redundante hasta SIL 3.

El instrumento es apropiado para ser utilizado en sistemas orientados a la seguridad conforme a ISO 13849 de un canal hasta PL d inclusive. En una configuración redundante ($HFT \geq 1$) pueden utilizarse instrumentos hasta PL e, si se ha implementado el debido diagnóstico externo (DC low para PL d / medium para PL e).



¡ADVERTENCIA!

Los valores técnicos de seguridad del instrumento se han de comparar para el caso de aplicación en cuestión con los requisitos de la aplicación.

Los parámetros específicos se han de contemplar siempre con respecto a la frecuencia de funcionamiento asumida.

ES

2.3.6 Restricciones del modo de funcionamiento



¡ADVERTENCIA!

La función de seguridad del instrumento no está garantizada bajo las siguientes condiciones de funcionamiento:

- Durante el ajuste de los puntos de conmutación

2.3.7 Función de seguridad

La función de seguridad hace que con una presión diferencial descendente se abren los interruptores. Utilice los contactos conmutados de tal manera que el circuito de corriente se abra con una presión diferencial descendente (observar el principio de corriente de reposo).

2.3.8 Precisión de la función de conmutación segura

Las siguientes indicaciones relativas a la precisión de seguridad total incluyen:

- Precisión básica (divergencia de medición, error de linealidad)
- Influencia de la temperatura ambiente en el rango $-10\text{ °C} \dots +70\text{ °C}$
- Influencia de hasta 259.835 ciclos

La precisión de seguridad total es de $-12\% \dots +8\%$ del intervalo de medida para la presión diferencial.

2.3.9 Límites de operación

Presión de trabajo: Véase esfera

Presión diferencial: Véase esfera

Temperatura ambiente: $-10 \dots +70\text{ °C}$ (operación)

Temperatura ambiente: $-40 \dots +70\text{ °C}$ (almacenamiento)

Temperatura del medio: $-10 \dots +90\text{ °C}$

(La temperatura en el instrumento no debe superar los 70 °C)

2.3.10 Modificaciones de configuración

El ajuste de los puntos de conmutación se lleva a cabo en fábrica según los datos de pedido. Compruebe los puntos de conmutación en caso de cambios por parte del usuario. Actualice el marcado utilizando, p. ej., un adhesivo adecuado. Asegure el instrumento contra la modificación de los puntos de conmutación mediante el sellado con plomo previsto de los elementos de ajuste.



¡ADVERTENCIA!

Verifique la función de seguridad después de cada procedimiento probándola.

2.3.11 Puesta en servicio

Todas aplicaciones

Compruebe la capacidad de funcionamiento de la función de conmutación del manómetro diferencial DPGS40TA.100-xxS durante la puesta en servicio, así como a intervalos regulares. El usuario es responsable de especificar tanto el tipo de prueba como los intervalos.

Nota adicional para aplicaciones con una tasa de demanda baja

Los intervalos para el examen de prueba suelen determinarse según el valor PFD_{avg} considerado. Normalmente el examen de prueba tiene lugar cada año, véase certificado 968/V 1169.01/21.

2.3.12 Examen de prueba de la función de seguridad

Durante el test de la función de seguridad completa se comprueba si los interruptores funcionan debidamente.

2.3.13 Indicaciones para la determinación de índices en materia de seguridad

Las tasas de fallo de los instrumentos se han determinado mediante la aplicación de métodos estadísticos conforme a IEC 61508 sobre la base de una comprobación de modelo para DPGS40TA.100-xxS.

El instrumento se ha previsto para aplicaciones con una tasa de demanda baja o elevada.



¡ADVERTENCIA!

La duración máxima de uso en un sistema orientado a la seguridad es de 5 años más 1,5 años de reserva. Si se prolonga esta duración será responsabilidad del usuario.

2.3.14 Parámetros técnicos de seguridad específicos del instrumento

Los parámetros técnicos de seguridad para el uso en sistemas orientados a la seguridad conforme a IEC 61508, IEC 61511 e ISO 13849 se pueden consultar en el certificado 968/V 1169.01/21, consulte el anexo 2 de este manual de instrucciones.

2.3.15 Puesta fuera de servicio del instrumento



¡ADVERTENCIA!

Proteger el instrumento puesto fuera de servicio contra una puesta en servicio accidental (por ejemplo mediante un marcaje correspondiente). Después de intercambiar el instrumento, realice una prueba funcional de toda la función de seguridad (bucle de seguridad) para verificar si la función de seguridad del sistema sigue estando garantizada. Las pruebas funcionales verifican el funcionamiento perfecto del sistema de seguridad SIS en interacción con todos los componentes (sensor, unidad lógica, actuador).

2.4 Cualificación del personal



¡ADVERTENCIA!

¡Riesgo de lesiones debido a una insuficiente cualificación!

Un manejo no adecuado puede causar considerables daños personales y materiales.

- Las actividades descritas en este manual de instrucciones deben realizarse únicamente por personal especializado con la consiguiente cualificación.

Personal especializado

Debido a su formación profesional, a sus conocimientos de la técnica de regulación y medición así como a su experiencia y su conocimiento de las normativas, normas y directivas vigentes en el país de utilización el personal especializado es capaz de ejecutar los trabajos descritos y reconocer posibles peligros por sí solo.

ES

2.5 Riesgos específicos



¡ADVERTENCIA!

En los casos de sustancias de medición peligrosas (por ej.: sustancias inflamables o tóxicas), así como en instalaciones de refrigeración, compresores, etc., deberán respetarse tanto las normas generales, como las especificaciones referentes a cada una de estas sustancias.



¡ADVERTENCIA!

Medios residuales en instrumentos de medición desmontados pueden causar riesgos para personas, medio ambiente e instalación. Tomar las medidas de precaución adecuadas.

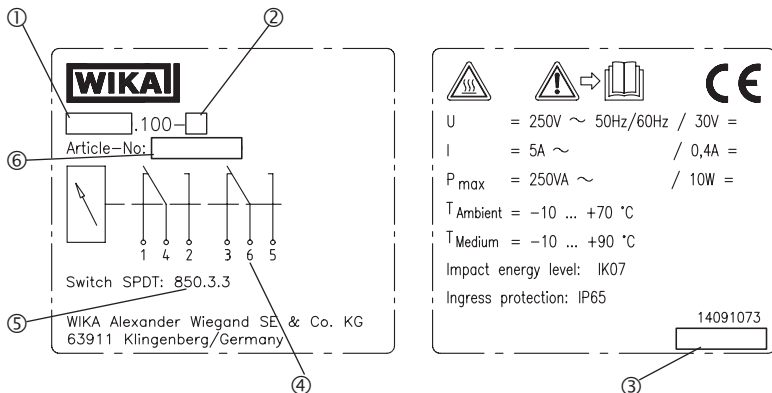


¡ADVERTENCIA!

La temperatura máxima de la superficie del instrumento no debe ser superior a la temperatura de ignición de medios inflamables. Tomar las medidas de precaución adecuadas.

2.6 Rótulos / marcajes de seguridad

Placa de identificación



Esfera (ejemplo)



- ① Modelo DPGS40TA
- ② Código 1er dígito: E = Microinterruptor simple 850.3
D = Microinterruptor doble 850.3.3
2º dígito: S = Limitador de caudal, véase el capítulo 2.2 "Instrucciones adicionales para el funcionamiento como limitador de caudal"
3er dígito: S = Versión SIL
- ③ Fecha de fabricación
- ④ Detalles del conexionado
- ⑤ Tipo de contacto
- ⑥ Código
- ⑦ Presión máxima admisible PS según la Directiva Europea de Equipos a Presión
- ⑧ Número de serie

Explicación de símbolos



¡Es absolutamente necesario leer el manual de instrucciones antes del montaje y la puesta en servicio del instrumento!



¡Riesgo de quemaduras!

Situación probablemente peligrosa debido a superficies calientes.

Debido a una temperatura de proceso máx. admisible de 90 °C, las células de medida, los racores, las válvulas o otras piezas de montaje pueden alcanzar una temperatura de 90 °C.

3. Datos técnicos

3. Datos técnicos

Los valores de aislamiento (bolsas de aire y líneas de fuga) están especificados según EN 61010-1:2010 para las siguientes condiciones ambientales:

- Altitud hasta 2.000 m
- Categoría de sobretensión II
- Grado de contaminación 2
- Humedad relativa 0 ... 95 % no condensable (según DIN 40040)

La resistencia de los instrumentos de medición (componentes no metálicos incluidos) se ha comprobado con una energía de impacto reducida de 2 J correspondiente a IK07 según EN 61010-1:2010. El código IK se debe consultar en la placa de identificación correspondiente.

ES

Datos técnicos

Diámetro nominal	Indicación de presión diferencial: Ø 100 mm Indicación de presión de trabajo: Ø 22 mm
Exactitud	Indicación de presión diferencial: ≤ 2,5 % del span (opción ≤ 1,6 %) Indicación de presión de trabajo: ≤ 4 % del span
Rangos de indicación (EN 837)	Presión diferencial: 0 ... 0,25 a 0 ... 10 bar Presión de trabajo: 0 ... 25 bar
Presión de servicio máx. (est.)	25 bar
Protección a sobrepresión	Máx. 25 bar En un lado, en ambos y alternativamente en el lado de ⊕ y ⊖
Temperaturas admisibles	Ambiente: -10 ... +70 °C, medio de medición: -10 ... +90 °C Almacenamiento: -40 ... +70 °C
Tipo de protección	IP65 según IEC/EN 60529
Cámara del medio (en contacto con el medio)	Aluminio, EN AC–Al Si9Cu3(Fe), pintado de negro (Opción: acero inoxidable)
Conexiones a proceso (en contacto con el medio)	2 x G 1/4, rosca hembra, montaje inferior (LM), en línea, distancia entre ejes 26 mm
Elementos sensibles (en contacto con el medio)	Presión diferencial: muelles de presión de acero inoxidable 1.4310 y membrana de separación de FPM/FKM (opción: NBR) Presión de trabajo: Muelle tubular de aleación de cobre
Piezas de transmisión (en contacto con el medio)	Acero inoxidable 1.4301, 1.4305, 1.4310, FPM/FKM (opción: NBR)

3. Datos técnicos

Datos técnicos

Juntas (en contacto con el medio)	FPM/FKM (opción: NBR)
Mecanismo	Aleación de cobre
Esfera	Indicación de presión diferencial y de trabajo: esfera blanca, subdivisión en negro
Aguja	Indicación de presión diferencial y de trabajo: esfera azul
Ajuste del punto cero para la indicación de presión diferencial	mediante tornillo en la esfera
Caja	Aluminio, EN AC–Al Si9Cu3(Fe), pintado de negro
Mirilla	Plástico, con tornillo tapón para la corrección punto cero y el ajuste del punto de conmutación (opción: precinto de los ajustes)

Contacto eléctrico

Tipo de contacto	Microinterruptor
Función de contacto Conmutador simple Conmutador doble	Tipo de contacto 850.3 Tipo de contacto 850.3.3
Datos de carga U máx., I máx., P máx.	CA 250 V, 5 A ¹⁾ , 250 VA DC 30 V, 0,4 A, 10 W
Ajuste del punto de conmutación	Desde el exterior, con escala auxiliar mediante tornillo(s) de ajuste
Rango de ajuste	De 10 % a 100 % del valor final de escala
Reproducibilidad del punto de conmutación	≤ 1,6 %
Histéresis de conmutación	Máx. 5 % del valor final de escala (opción: máx. 2,5 %)
Conexión eléctrica	Prensaestopa M20 x 1,5 con 1 m de cable libre

1) I máx. = 1,4 A para versiones según el código de prácticas de VdTÜV "Caudal 100"

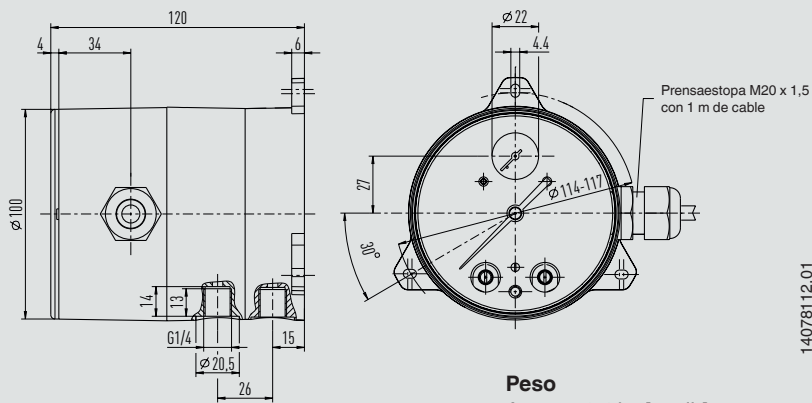
Para consultar más datos técnicos véase la placa de identificación correspondiente, la hoja técnica de WIKA y la documentación de pedido.

Para los modelos con protección opcional contra explosiones, lea la "Información adicional para zonas potencialmente explosivas (Ex i), modelos DPS40, DPGS40, DPGS40TA y DPGT40", código 14110818.

3. Datos técnicos

Dimensiones en mm

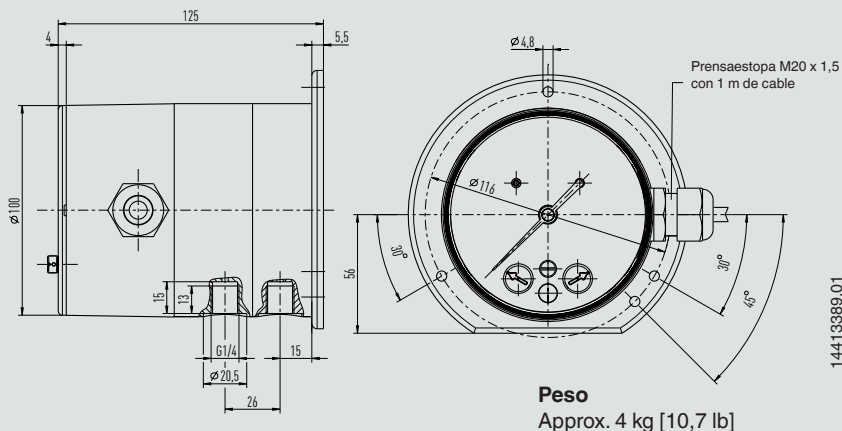
Con cámara de medición de aluminio



14078112.01

ES

Con cámara de medición de acero inoxidable



14413389.01

14106549.12 01/2024 EN/DE/FR/ES

4. Diseño y función

4.1 Descripción

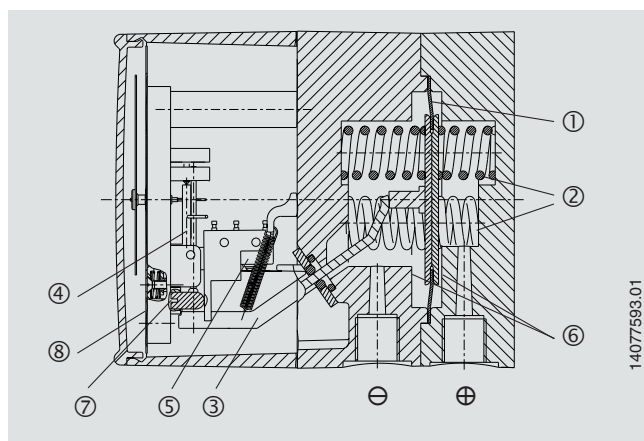
Las presiones p_1 y p_2 actúan sobre las cámaras del medio \oplus y \ominus , que se encuentran separadas por una membrana elástica (1).

La presión diferencial ($\Delta p = p_1 - p_2$) produce un movimiento axial (trayecto de medición) de la membrana contra los muelles de rango de medición (2).

El trayecto de medición, directamente proporcional a la presión diferencial, se transmite al mecanismo de aguja (4) en la caja del indicador y a los muelles de láminas del microinterruptor (5) a través de un balancín (3), sin que se produzca ninguna pérdida de presión ni fricción.

La protección de las sobrepresiones es proporcionada por las superficies metálicas (6) de apoyo de la membrana elástica.

El ajuste del punto de conmutación se efectúa mediante tornillos de ajuste (7) accesibles desde la parte frontal. Las escalas auxiliares (8) facilitan el ajuste de los puntos de conmutación.



4.2 Alcance del suministro

Comparar mediante el albarán si se han entregado todas las piezas.

5. Transporte, embalaje y almacenamiento

5.1 Transporte

Comprobar si el manómetro diferencial presenta eventuales daños causados en el transporte. Notificar daños obvios de forma inmediata.

5.2 Embalaje

No quitar el embalaje hasta justo antes del montaje.

Guardar el embalaje ya que es la protección ideal durante el transporte (por ej. si el lugar de instalación cambia o si se envía el instrumento para posibles reparaciones).

5.3 Almacenamiento

Condiciones admisibles en el lugar de almacenamiento

Temperatura de almacenamiento: -40 ... +70 °C

Para evitar daños, deben observarse los siguientes aspectos para el almacenamiento de los instrumentos:

- Dejar los instrumentos en su embalaje original
- Tras retirarlos, por ejemplo para comprobaciones, los instrumentos deberán almacenarse nuevamente en su embalaje original

Evitar lo siguiente:

- Luz solar directa o proximidad a objetos calientes
- Vibración mecánica, impacto mecánico (colocación brusca)
- Hollín, vapor, polvo, humedad y gases corrosivos
- Entorno potencialmente explosivo, atmósferas inflamables



¡ADVERTENCIA!

Antes de almacenar el instrumento, eliminar todos los restos de medios adheridos. Esto es especialmente importante cuando el medio es nocivo para la salud, como p. ej. cáustico, tóxico, cancerígeno, radioactivo, etc.

6. Puesta en servicio, funcionamiento

6.1 La conexión mecánica

- Conforme a las reglas técnicas generales para manómetros (por ejemplo EN 837-2 “Recomendaciones relativas a la selección y montaje de manómetros”).
- Monte las conexiones de presión según los símbolos indicados, \oplus presión alta y \ominus presión baja.
- Conexiones a proceso 2 x G 1/4, rosca hembra, abajo, una tras otra, distancia entre ejes 26 mm, posición de uso NP 90 según DIN 16257 (es decir, esfera vertical), ejecutar las rosca de los conectores preferentemente según EN 837-3 (sección 7.3.2).
- Antes de montar el instrumento, sacudir o limpiar con aire comprimido o agua las líneas de medición.
- ¡Proteger los instrumentos de medición contra la obturación y grandes oscilaciones de temperatura!
- El instrumento debe montarse libre de vibraciones y orientado de forma que se pueda leer fácilmente. Se recomienda interponer una válvula de cierre entre el punto de toma de presión y el instrumento, que permitirá el reemplazo del instrumento y el control del punto cero durante el funcionamiento. El instrumento debe protegerse contra contaminación y fuertes oscilaciones de la temperatura ambiente.
- Para sellar las conexiones deben utilizarse juntas planas, juntas lenticulares o juntas perfiladas WIKA. El uso de conexiones con tuerca de ajuste a izquierdas-derechas o tuerca loca permiten posicionar el instrumento para una lectura óptima. Para el montaje o el desmontaje del instrumento, la fuerza necesaria no se debe aplicar en la carcasa, sino en los planos de llave de la conexión.

Versión de montaje en pared

Fijación mediante tres soportes de montaje fundidos en bloque

Influencias de temperatura



¡ADVERTENCIA!

En la aplicación final se debe asegurar que el instrumento no supere una temperatura de 70 °C incluso con temperaturas del medio > 70 °C.

Durante el montaje se debe asegurar que se mantiene la temperatura de servicio admisible del instrumento, considerando la influencia de convección y radiación térmica.

Para ello, el instrumento y la válvula de cierre deben protegerse mediante líneas de medición suficientemente largas o sifones.

Debe tenerse en cuenta la influencia de la temperatura en la exactitud de la indicación y la medición.






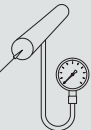
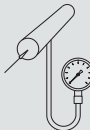

¡La temperatura máx. real de las superficies no depende de los instrumentos sino principalmente de la temperatura del medio! En medios gaseosos, la temperatura puede aumentar como resultado del calentamiento por compresión.

En estos casos, hay que disminuir la velocidad de cambio de presión o reducir la temperatura admisible del medio si fuera necesario.

6. Puesta en servicio, funcionamiento

Sistemas de medición

Sistemas de medición probados para diversos tipos de sustancias a medir. Los sistemas de medición especialmente recomendados para la aplicación se muestran a continuación.

Llenado de la tubería	Medios líquidos			Medios gaseosos		
	Líquido	Líquido con vapor	Completamente evaporado	Gaseoso	Parcialmente condensado (vapor)	Completamente condensado
Ejemplos	Condensado	Líquidos en ebullición	"Gases líquidos"	Aire seco	Aire húmedo Gases de combustión	Vapor de agua
Manómetro por encima del punto de medida						
Manómetro por debajo del punto de medida						

ES

Sistemas de medición

Las configuraciones de medición preferidas para diferentes usos están definidas en la norma DIN 19216.

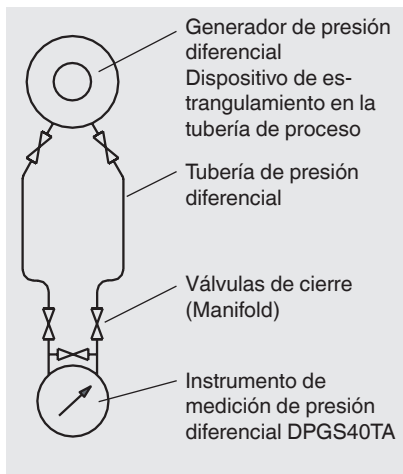
El diagrama siguiente muestra una configuración recomendada para medios líquidos. Como dispositivo de estrangulación están previstos generadores de presión diferencial según DIN 1952 (versión 07.82), sustituida por EN 5167/1.

Se debe asegurar que las tuberías de presión diferencial sean de metal, con un diámetro mínimo de 4 mm, y que la longitud efectiva entre el manifold y el manómetro diferencial sea al menos 500 mm.

La longitud y el diámetro de las tuberías de presión diferencial deben ser tales que, con el tubo frío, el tiempo de respuesta efectivo del manómetro diferencial no supere los 5 segundos.

Se debe asegurar que las uniones de las tuberías de presión diferencial sean soldadas o atornilladas al metal con elementos de sellado.

La única forma de actuar las válvulas de cierre en las tuberías de presión diferencial es con herramientas.



6.2 Conexión eléctrica

- La conexión eléctrica debe ser realizada por personal especializado y cualificado.
- Las conexiones y las funciones de conmutación están indicadas en la placa de identificación. Las bornes de conexión están debidamente marcados.
- Los cables de conexión de red deben estar diseñados para soportar el consumo máximo de corriente del instrumento y deben cumplir las especificaciones de IEC 227 o IEC 245.
- Integrar los instrumentos en la conexión equipotencial de la instalación.

Información de rendimiento, véase el capítulo 3 "Datos técnicos"

Indicaciones de seguridad para la instalación

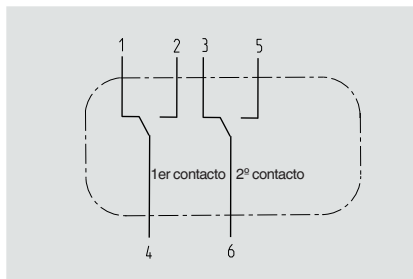


- Observar las indicaciones de instalación y seguridad del manual de instrucciones.
- Instalar los instrumentos conforme a las indicaciones del fabricante y de las normas y reglamentos vigentes.
- Los instrumentos no incluyen dispositivos de seguridad contra sobrecorriente.
- ¡Implementar una serie de dispositivos de protección para evitar la soldadura de los interruptores causada por una sobrecarga!
- Conecte únicamente circuitos con la misma tensión y clase de protección a los contactos del interruptor y a los cables de conexión.
- Limitar la corriente máxima mediante medidas externas a un valor de CA 250 V, 5 A ¹⁾, con carga resistiva, por circuito eléctrico.
- Dimensionar las líneas de conexión para el máximo amperaje de los circuitos eléctricos.

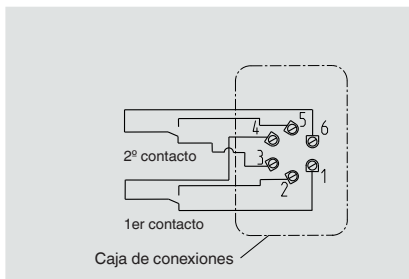
1) Limitación de corriente desviada I máx. = 1,4 A para versiones según código de prácticas de VdTÜV "Caudal 100"

Los datos exactos relativos a la asignación de terminales y la alimentación auxiliar requerida figuran en la placa de identificación en la superficie de la caja. A continuación se indican ejemplos de asignaciones de terminales.

Ejemplo detalles del conexionado 1: Prensaestopa y cable



Ejemplo detalles del conexionado 2: Caja de conexiones o conector angular según DIN 43651

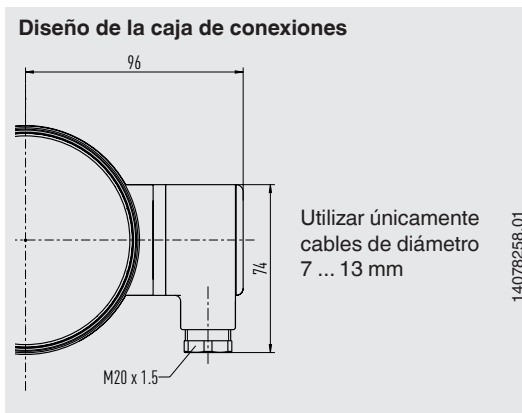


¡Para el circuito eléctrico de seguridad, que debe desactivar la calefacción de la caldera al caer el caudal por debajo del mínimo, debe conectarse sólo el contacto de cierre del contacto de conmutación (es decir, el circuito abierto en $\Delta p = 0$)!

6. Puesta en servicio, funcionamiento

- Para tensiones superiores a AC 50 V o DC 75 V:
 - no conectar simultáneamente circuitos eléctricos con circuitos de baja tensión o baja tensión de seguridad (SELV), o circuitos de baja tensión de protección (PELV).
 - los circuitos eléctricos deben contar, fuera del instrumento de medición, con un dispositivo que permite la separación del instrumento de la red. Tal dispositivo debe ser de fácil acceso y estar identificado como dispositivo de separación para el instrumento.
 - los cables para circuitos eléctricos deben cumplir con los requisitos de aislamiento y estar en conformidad con las normas, por ejemplo IEC 60227 o IEC 60245.
- En caso de cables de conexión flexibles utilizar virolas aisladas.
- Los cables de conexión deben ser adecuados para el rango de temperatura ambiente de la aplicación.
- Sellar las entradas de cable con prensaestopas debidamente aprobados.

ES



- Instalar el cable de conexión de forma segura.

Ajuste del punto de conmutación y del punto cero

El ajuste del punto de conmutación o de cero se realiza mediante los tornillos de ajuste en la parte frontal. Para acceder a ellos hay que soltar los tornillos de cierre para acceder a los mismos.

Girando el tornillo de ajuste con un destornillador se ajusta el punto de conmutación deseado.

Los puntos de interrupción pueden ajustarse en fábrica si se indican los valores nominales.

Una escala auxiliar simplifica el ajuste del punto de conmutación.

Si se requiere un ajuste del punto de conmutación preciso, debe utilizarse un estándar de referencia.

ES



Volver a montar los tornillos de cierre tras el ajuste satisfactorio del punto de conmutación o de cero, dado que de lo contrario no se respeta el tipo de protección indicado.

6.3 Puesta en servicio

Evitar golpes de ariete en todo caso durante la puesta en servicio. Abrir lentamente las válvulas de cierre.

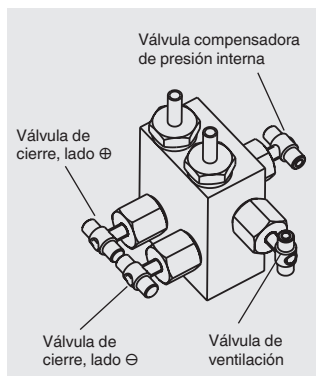
7. Opciones y accesorios

7.1 Manifold cuádruple

- Cierra de las tuberías de proceso \oplus y \ominus para **desmontaje o comprobación** del instrumento de medición durante el proceso de trabajo.

Protección del instrumento contra una carga de sobrepresión no permitida, como por ejemplo en comprobaciones de presión y condiciones de operación no definidas (también reposo temporal).

- Compensación de presión para **comprobación del punto cero** con los procesos en marcha, y evitar la carga de sobrepresión unilateral durante las fases de puesta en marcha y funcionamiento (con la válvula de compensación de presión abierta).
- **Purgado** de las tuberías de medición en medios líquidos y **enjuague** de las mismas para eliminar impurezas.



Información sobre la manipulación

■ Secuencia de trabajo para el inicio de la medición

1. Abrir la válvula compensadora de presión (vástago central de la válvula)
2. Abrir la válvula de cierre de la cámara del medio con signo menos (\ominus , válvula derecha), y la válvula de cierre con signo más (\oplus , válvula izquierda)
3. Cerrar la válvula compensadora de presión

■ Secuencia de trabajo para enjuague/purgado de las tuberías de medición

1. Comienzo: Abrir la válvula de cierre de la cámara del medio \oplus y \ominus ; abrir la válvula compensadora de presión y la válvula de ventilación
2. Finalización: Cerrar la válvula compensadora de presión y la válvula de ventilación

■ Secuencia de trabajo para finalizar la medición (también reposo temporal)

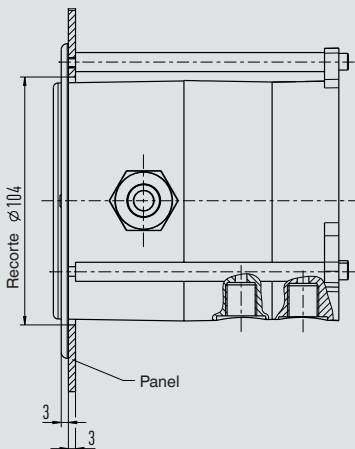
1. Abrir la válvula compensadora de presión
2. Cerrar la válvula de cierre de las cámaras del medio \oplus y \ominus

■ Secuencia de trabajo para desmontaje del instrumento durante el proceso

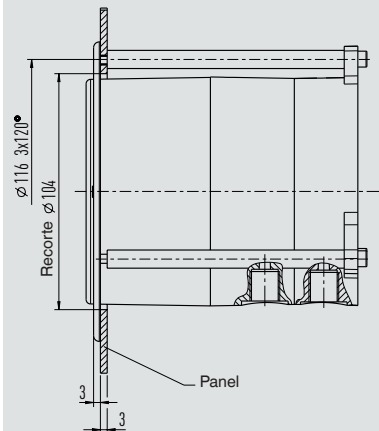
1. Cerrar la válvula de cierre de las cámaras del medio \oplus y \ominus
2. Abrir la válvula de ventilación

7.2 Borde frontal

Para cámara de medición de aluminio



Para cámara de medición de acero inoxidable



8. Mantenimiento

Los instrumentos no requieren mantenimiento.

Controlar el instrumento y la función de conmutación una o dos veces al año. Para eso, separar el instrumento del proceso y controlarlo con un dispositivo de control de presión.

Todas las reparaciones solamente las debe efectuar el fabricante.

9. Desmontaje, devolución y eliminación de residuos

ES



¡ADVERTENCIA!

Medios residuales en instrumentos de medición desmontados pueden causar riesgos para personas, medio ambiente e instalación.

Tomar las medidas de precaución adecuadas.

9.1 Desmontaje

¡Desconectar el instrumento de medición sólo cuando el sistema se haya despresurizado y la energía esté desconectada!

En caso necesario hay que destensar la línea de medición.

9.2 Devolución

Una vez desmontado el instrumento de medición se debe enjuagar y limpiar antes de devolverlo para proteger a los empleados y el medio ambiente contra residuos del medio de medición.

9.3 Eliminación de residuos

Una eliminación incorrecta puede provocar peligros para el medio ambiente. Eliminar los componentes de los instrumentos y los materiales de embalaje conforme a los reglamentos relativos al tratamiento de residuos y eliminación vigentes en el país de utilización.



DNV

TYPE APPROVAL CERTIFICATE

Certificate No:
TAP00021A
Revision No:
1

This is to certify:

That the Pressure Gauge

with type designation(s)
DPGS40TA

Issued to
WIKA Alexander Wiegand SE & Co. KG
Klingenberg a. Main, Bayern, Germany

is found to comply with
DNV rules for classification – Ships Pt.4 Ch.6 Piping systems

Application :

Product approved by this certificate is accepted for installation on all vessels classed by DNV.

Temperature range: **-10°C ... +70°C (ambient), -10°C ... 90°C (medium)**

Max. working press.: **0 ... 10 bar Differential Pressure / 25 bar Working Pressure**

Sizes: **NS100**

Issued at **Hamburg** on **2022-07-01**

This Certificate is valid until **2025-03-29**.

for DNV

DNV local station: **Augsburg**

Approval Engineer: **Christian Kaemmer**

.....
Olaf Drews
Head of Section

This Certificate is subject to terms and conditions overleaf. Any significant change in design or construction may render this Certificate invalid.
The validity date relates to the Type Approval Certificate and not to the approval of equipment/systems installed.

LEGAL DISCLAIMER: Unless otherwise stated in the applicable contract with the holder of this document, or following from mandatory law, the liability of DNV AS, its parent companies and their subsidiaries as well as their officers, directors and employees ("DNV") arising from or in connection with the services rendered for the purpose of the issuance of this document or reliance thereon, whether in contract or in tort (including negligence), shall be limited to direct losses and under any circumstance be limited to 300,000 USD.



Form code: TA 251

Revision: 2021-03

www.dnv.com

Page 1 of 2



Job Id: 262-1-032726-3
Certificate No: TAP000021A
Revision No: 1

Product description

Differential pressure gauge with integrated working pressure indication and micro switches.

Pressures p_1 and p_2 act on two media chambers separated by diaphragm, this leads to an axial deflection of the diaphragm against the measuring range springs. The deflection is transmitted to the movement and to the leaf springs of the microswitches.

Technical Data

Size	NS: 100 mm differential pressure gauge; 22 mm working pressure gauge.
Accuracy	Differential pressure indication < 2,5% of span, optional $\pm 1,6\%$ Working pressure indication < 4% of span
Working pressure	25 bar max.
Temperature range:	-10°C ... +70°C (ambient), -10°C ... +90°C (medium)
Media chamber	Aluminium-or Stainless steel case.

Application/Limitation

The pressure gauge is type approved for monitoring and control of filters, compressors, pumps and other machinery components like marine boilers, heat transfer systems, pressure vessels, bilge-water collection, sanitary and cooling-water systems, pressure boosting systems, heating and cooling systems, fire-extinguishing systems.

The selection of the pressure gauge type premises that the pressure medium is not corrosive against wetted parts. Only products bearing the DNV Mark on the product and/or product packing are certified.

Type Approval documentation

Marking of product

- Manufacturer
- Manufacturing no.

Periodical assessment


For retention of the Type Approval, a DNV Surveyor shall perform periodical assessment to verify that the conditions for the Type Approval are complied with. Refer to the Class Programme DNV-CP-0338, Sec.4.

To check the validity of this certificate, please look it up in <https://approvalfinder.dnv.com>

Certificate

SIL/PL
Capabilitywww.tuv.com
ID 060900000

Nr./No.: 968/V 1169.01/21

Prüfgegenstand Product tested	Differenzdruckmessgerät und -wächter Differential pressure gauge and monitor	Zertifikats- inhaber Certificate holder	WIKA Alexander Wiegand SE & Co. KG Alexander-Wiegand-Str. 30 63911 Klingenberg Germany
Typebezeichnung Type designation	DELTA-comb DPGS40TA		
Prüfgrundlagen Codes and standards	IEC 61508 Parts 1-2 and 4-7:2010		
Bestimmungsgemäße Verwendung Intended application	Sicherheitsfunktion: Erfassung und Überwachung eines Differenzdruckes. Die Differenzdruckmessgeräte und -wächter sind für den Einsatz in sicherheitsgerichteten Systemen bis SIL 2 / PL d geeignet. Unter Berücksichtigung der minimal erforderlichen Hardware-Fehlertoleranz von HFT = 1 können sie auch in redundanten Ausföhrung bis SIL 3 / PL e eingesetzt werden, wenn eine ausreichende externe Diagnose realisiert wird (DC niedrig für PL d / mittel für PL e). Safety Function: Measuring and monitoring of differential pressure. The differential pressure gauges and monitors are suitable for use in safety-related systems up to SIL 2 / PL d. Taking into account the minimum required hardware fault tolerance of HFT = 1, they can also be used in redundant design up to SIL 3 / PL e, if a sufficient external diagnosis is implemented (DC low for PL d / medium for PL e).		
Besondere Bedingungen Specific requirements	Die Hinweise in der zugehörigen Installations- und Betriebsanleitung sowie des Sicherheitshandbuchs sind zu beachten. The instructions of the associated installation, operating and safety manual shall be considered.		
Zusammenfassung der Testergebnisse siehe Rückseite des Zertifikates. Summary of test results see back side of this certificate.			
Der Ausstellung dieses Zertifikates liegt eine Evaluierung entsprechend dem Zertifizierungsprogramm CERT FSP1 V1.0:2017 in der aktuellen Version zugrunde, deren Ergebnisse im Bericht Nr. 968/V 1169.01/21 vom 11.06.2021 dokumentiert sind. Dieses Zertifikat ist nur gültig für Erzeugnisse, die mit dem Prüfgegenstand übereinstimmen. The issue of this certificate is based upon an evaluation in accordance with the Certification Program CERT FSP1 V1.0:2017 in its actual version, whose results are documented in Report No. 968/V 1169.01/21 dated 2021-06-11. This certificate is valid only for products, which are identical with the product tested.			
TÜV Rheinland Industrie Service GmbH Bereich Automation Funktionale Sicherheit		 Dipl.-Ing. (FH) Wolf Rückwart	
Köln, 2021-06-21		Certification Safety & Security für Maschinen & Grid	

www.fs-products.com
www.tuv.com

TÜVRheinland®
Precisely Right.
TÜV Rheinland Industrie Service GmbH, Am Grauen Stein, 51105 Köln / Germany
Tel.: +49 221 806-1790, Fax: +49 221 806-0538, E-Mail: industrie.service@de.tuv.com

10/22/12 12 E.A.4 • TÜV, TÜV and TÜV are registered trademarks. Utilization and application requires prior approval.

14106549.12 01/2024 EN/DE/FRIES

968/V 1169.01/21 - page 2

Holder: WIKA Alexander Wiegand SE & Co. KG
 Alexander-Wiegand-Straße 30
 63911 Klingenberg
 Germany

Product tested: Differential pressure gauge (DELTA-comb)
 Type DPGS40TA

Results of Assessment

Route of Assessment		$2_i / 1_o$
Type of Sub-system		Type A
Mode of Operation		Low / High Demand Mode
Hardware Fault Tolerance	HFT	0
Systematic Capability		SC 3

Safety Function

Opening of the electrical switching contact
 (micro switch)

Low demand mode (LDM)

Dangerous Failure Rate	λ_D	2.41 E-07 / h	241 FIT
Average Probability of Failure on Demand 1oo1	$PFD_{avg}(T_1)$	1.07 E-03	
Average Probability of Failure on Demand 1oo2	$PFD_{avg}(T_1)$	1.09 E-04	

Assumptions for the calculations above: DC = 0 %, $T_1 = 1$ year, MRT = 72 h, $\beta_{1oo2} = 10$ %

High demand mode (HDM)

B_{100}	[-]	259,835
Average Probability of Failure per Hour PFH_{1oo1}	[1/h]	9.62 E-08
MTTF _D	[a]	1,186
Average Probability of Failure per Hour PFH_{1oo2}	[1/h]	9.69 E-09
MTTF _D (1oo2)	[a]	11,784

Origin of failure rates

The stated failure rates for low demand are the result of an FMEDA with tailored failure rates for the design and manufacturing process. The failure rates for high demand mode are the result of B_{100} Tests.

Failure rates include failures that occur at a random point in time and are due to degradation mechanisms such as ageing.

The stated failure rates do not release the end-user from collecting and evaluating application-specific reliability data.

Periodic Tests and Maintenance

The given values require periodic tests and maintenance as described in the Safety Manual.

The operator is responsible for the consideration of specific external conditions (e.g. ensuring of required quality of media, max. temperature, time of impact), and adequate test cycles.



Bescheinigung

Dem Hersteller wird aufgrund eines Prüfberichts zur Bauteilprüfung folgendes Bauteilkennzeichen zuerkannt:

Kategorie Bauteilkennzeichen:	Strömungswächter/-begrenzer
Technische Überwachungsorganisation und Prüfbericht:	TÜV Rheinland von 2022-05-16
Hersteller/Inverkehrbringer:	WIKA Alexander Wiegand SE & Co. KG Alexander-Wiegand-Straße 30 63911 Klingenberg DEUTSCHLAND
Bauteilkennzeichen:	TÜV . SSW/SSB . 22 - 033
Bauart:	Differenzdruck-Aufnehmer mit elektrischem Schaltkontakt
Typ:	DPGS40TA.100-xSx (CrNi-Stahl 1.4571)
Die Zuerkennung erfolgt in Anwendung von:	<ul style="list-style-type: none"> - VdTÜV-Merkblatt Strömung 100, Ausgabe 2017-03-15, in Verbindung mit VdTÜV-Merkblatt Allgemeines 002, Ausgabe 2019-02-22 - wesentliche Sicherheitsanforderungen der Richtlinie 2014/68/EU vom 15.05.2014 (Druckgeräterichtlinie)

Gültig bis: 2027-05-31

Die Zuerkennung kann widerrufen werden. Die bisherige Bescheinigung wird hierdurch ersetzt.

Hinweis: Der Hersteller oder Importeur ist verpflichtet, den zuständigen Sachverständigen zu beauftragen, Bauteile aus der betreffenden Fertigung auf Übereinstimmung in dem Baumuster einmal jährlich stichprobenweise zu überprüfen.

TÜV-Verbande, V.
Friedrichstraße 135
10117 Berlin

Tel.: +49 30 760095-400
E-Mail: bauteile@tuev-verband.de

Ingo Blohm
2022.06.10 11:35:32 +02'00'

Geschäftsbereich Industrie und Anlagentechnik

www.tuev-verband.de



EU-Konformitätserklärung EU Declaration of Conformity

Dokument Nr.: 14098686.06
Document No.:

Wir erklären in alleiniger Verantwortung, dass die mit CE gekennzeichneten Produkte
We declare under our sole responsibility that the CE marked products

Typenbezeichnung: DPS40, DPGS40, DPGS40TA ⁽¹⁾
Type Designation:

Beschreibung: Differenzdruckmessgeräte mit Mikroschalter
Description: *Differential pressure gauges with micro switch*

gemäß gültigem Datenblatt:
according to the valid data sheet: Siehe Anhang
Refer to annex

mit den nachfolgenden relevanten Harmonisierungsvorschriften der
Union übereinstimmen:
*are in conformity with the following relevant Union harmonization
legislation:*

Angewandte harmonisierte Normen:
Applied harmonised standards:

2011/65/EU Gefährliche Stoffe (RoHS)
Hazardous substances (RoHS)

EN IEC 63000:2018

2014/35/EU Niederspannungsrichtlinie (NSR)
Low Voltage Directive (LVD)

EN 61010-1:2010 + A1:2019

2014/34/EU Explosionsschutz (ATEX) ⁽²⁾
Explosion protection (ATEX) ⁽²⁾

EN 60079-0 :2012 +A11:2013
EN 60079-11:2012



II 2G Ex ia IIC T4/T5/T6 Gb
II 2D Ex ia IIIB T135°C Db


Entspricht auch / *Also complies with:*
EN IEC 60079-0:2018


(1) Detaillierte Angaben siehe Anhang
Detailed information refer to Annex

(2) EG-Baumusterprüfbescheinigung BVS 15 ATEX E 073 X von DEKRA EXAM GmbH, D-44809 Bochum (Reg.-Nr. 0159).
EC type-examination certificate BVS 15 ATEX E 073 X from DEKRA EXAM GmbH, D-44809 Bochum (Reg. no. 0159)

Unterszeichnet für und im Namen von / *Signed for and on behalf of*

WIKAL Alexander Wiegand SE & Co. KG
Klingenberg, 2022-08-30


Alfred Häfner, Vice President
Process Instrumentation Pressure


Roland Stapf, Head of Quality Management
Process Instrumentation Corporate Quality

WIKAL Alexander Wiegand SE & Co. KG
Alexander-Wiegand-Strasse 30
63911 Klingenberg
Germany
WEEE-Reg.-Nr. DE 92770372

Tel. +49 9372 132-0
Fax +49 9372 132-406
E-Mail info@wika.de
www.wika.de

Kommanditgesellschaft: Sitz Klingenberg –
Amtsgericht Aschaffenburg HRA 1819

Komplementärin:
WIKAL International SE - Sitz Klingenberg -
Amtsgericht Aschaffenburg HRB 10505
Vorstand: Alexander Wiegand
Vorstand: Prof. Dr. Roderich C. Thümmel
21AR 04236



14098686.06, Anhang / Annex

Datenblatt Data sheet	Typenbezeichnung Type Designation	Anwendbare Richtlinien Applicable directives	
		2014/35/EU	2014/34/EU
PV 27.21	DPS40.100-E DPS40.100-D	✓	
PV 27.21	DPS40.100-F DPS40.100-G		✓
PV 27.20	DPGS40.100-E DPGS40.100-D	✓	
PV 27.20	DPGS40.100-F DPGS40.100-G		✓
PV 27.22	DPGS40TA.100-EZZ DPGS40TA.100-DZZ DPGS40TA.100-EZS DPGS40TA.100-DZS	✓	
PV 27.22	DPGS40TA.100-FZZ DPGS40TA.100-GZZ DPGS40TA.100-FZS DPGS40TA.100-GZS		✓

Siehe besondere Bedingungen für die sichere Anwendung und Installation in der Betriebsanleitung
Refer to specific conditions for safe use and installation information in the operating instructions



EU-Konformitätserklärung EU Declaration of Conformity

Dokument Nr.: 14563539.01
Document No.:

Wir erklären in alleiniger Verantwortung, dass die mit CE gekennzeichneten Produkte
We declare under our sole responsibility that the CE marked products

Typenbezeichnung: DPGS40TA.100-*S*(1)
Type Designation:

Beschreibung: Differenzdruckaufnehmer mit elektrischem Schaltkontakt als
Description: Strömungswächter /- begrenzer
Differential pressure switch gauge as Flow switch / -limiter

gemäß gültigem Datenblatt: Siehe Anhang
according to the valid data sheet: Refer to annex

mit den nachfolgenden relevanten Harmonisierungsvorschriften der Union übereinstimmen:
are in conformity with the following relevant Union harmonization legislation:

- 2011/65/EU Gefährliche Stoffe (RoHS)
Hazardous substances (RoHS)
- 2014/68/EU Druckgeräterichtlinie (DGRL) ⁽²⁾
Pressure Equipment Directive (PED) ⁽²⁾
- 2014/35/EU Niederspannungsrichtlinie (NSR)
Low Voltage Directive (LVD)
- 2014/34/EU Explosionsschutz (ATEX) ⁽³⁾
Explosion protection (ATEX) ⁽³⁾



II 2G Ex ia IIC T4/T5/T6 Gb
II 2D Ex ia IIIB T135°C Db

- (1) Detaillierte Angaben siehe Anhang
Detailed information refer to Annex
- (2) EU-Baumusterprüfbescheinigung 01 202 931/B-15-0027 01 von TÜV Rheinland Industrie Service GmbH, D-51105 Köln (reg. no. 0035), druckhaltendes Ausrüstungsteil mit Sicherheitsfunktion
EC type-examination certificate 01 202 931/B-15-0027 01 from TÜV Rheinland Industrie Service GmbH, D-51105 Köln (reg. no. 0035), safety accessory
- (3) EG-Baumusterprüfbescheinigung BVS 15 ATEX E 073 X von DEKRA EXAM GmbH, D-44809 Bochum (Reg.-Nr. 0158).
EC type-examination certificate BVS 15 ATEX E 073 X from DEKRA EXAM GmbH, D-44809 Bochum (Reg. no. 0158).

Angewandte harmonisierte Normen und sonstige technische Spezifikationen:
Applied harmonised standards or other technical specifications:

- EN IEC 63000:2018
- VdTÜV BP Strömung 100:2017-03
- EN 61010-1:2010 + A1:2019
- EN 60079-0 :2012 +A11:2013
- EN 60079-11:2012

Entspricht auch / Also complies with:
EN IEC 60079-0:2018

Unterzeichnet für und im Namen von / Signed for and on behalf of

WIKAI Alexander Wiegand SE & Co. KG
Klingenberg, 2022-08-30

Alfred Häfner, Vice President
Process Instrumentation Pressure

WIKAI Alexander Wiegand SE & Co. KG
Alexander-Wiegand-Strasse 30
63011 Klingenberg
Germany
WEEE-Reg.-Nr. DE 92170372

Tel. +49 9372 132-0
Fax. +49 9372 132-406
E-Mail: info@wika.de
www.wika.de

Kommanditgesellschaft: Sitz Klingenberg –
Amtsgericht Aschaffenburg HRA 1819

Roland Stapf, Head of Quality Management
Process Instrumentation Corporate Quality

Komplementär:
WIKAI International SE – Sitz Klingenberg –
Amtsgericht Aschaffenburg HRB 10905
Vorstand: Alexander Wiegand
Vorstandsvorsitzender des Aufsichtsrats: Prof. Dr. Roderich C. Thummler
21AR-04236



14563539.01, Anhang / Annex

Datenblatt Data sheet	Typenbezeichnung Type Designation	Anwendbare Richtlinien Applicable directives		
		2014/35/EU	2014/68/EU	2014/34/EU
PV 27.22	DPGS40TA.100-ESZ DPGS40TA.100-DSZ DPGS40TA.100-ESS DPGS40TA.100-DSS	✓	✓	
PV 27.22	DPGS40TA.100-FSZ DPGS40TA.100-GSZ DPGS40TA.100-FSS DPGS40TA.100-GSS		✓	✓

Siehe besondere Bedingungen für die sichere Anwendung und Installation in der Betriebsanleitung
Refer to specific conditions for safe use and installation information in the operating instructions

14106549.12 01/2024 EN/DE/FRIES

Wika Alexander Wiegand SE & Co. KG
 Alexander-Wiegand-Strasse 30
 63911 Klingenberg
 Germany
 VEEE-Reg.-Nr. DE 92770372

Tel. +49 9372 132-0
 Fax: +49 9372 132-406
 E-Mail: info@wika.de
 www.wika.de

Kommanditgesellschaft, Sitz Klingenberg –
 Amtsgericht Aschaffenburg HRA 1919

Komplementärin:
 Wika International SE - Sitz Klingenberg -
 Amtsgericht Aschaffenburg HRB 10505
 Vorstand: Alexander Wiegand
 Vorsitzender des Aufsichtsrats: Prof. Dr. Roderich C. Thummel
 21AR-04236

WIKA subsidiaries worldwide can be found online at www.wika.com.
WIKA-Niederlassungen weltweit finden Sie online unter www.wika.de.
La liste des filiales WIKA dans le monde se trouve sur www.wika.fr.
La lista de las sucursales WIKA en el mundo puede consultarse en www.wika.es.



Importer for UK
WIKA Instruments Ltd
Unit 6 and 7 Goya Business park
The Moor Road
Sevenoaks
Kent
TN14 5GY



WIKA Alexander Wiegand SE & Co. KG
Alexander-Wiegand-Straße 30
63911 Klingenberg • Germany
Tel. +49 9372 132-0
Fax +49 9372 132-406
info@wika.de
www.wika.de