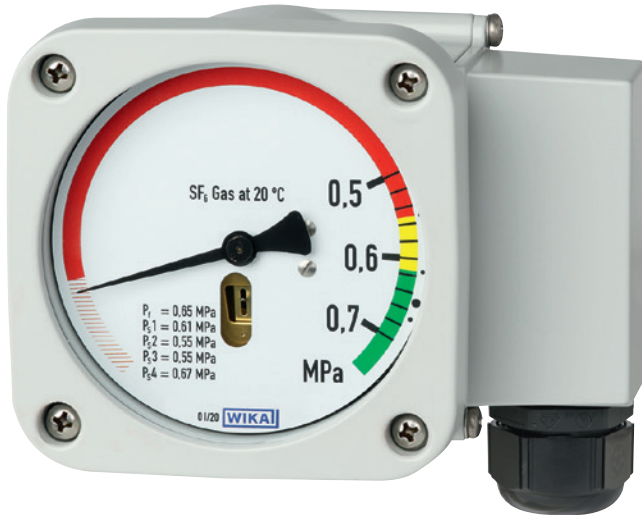


Gas density monitor with reference chamber, model GDM-RC-100 EN

Gasdichtewächter mit Referenzkammer, Typ GDM-RC-100 DE

Densimètre pour gaz avec chambre de référence, type GDM-RC-100 FR

Densímetro con cámara de referencia, modelo GDM-RC-100 ES



Gas density monitor with reference chamber

<b>EN</b>	<b>Operating instructions model GDM-RC-100</b>	<b>Page</b>	<b>3 - 28</b>
<b>DE</b>	<b>Betriebsanleitung Typ GDM-RC-100</b>	<b>Seite</b>	<b>29 - 54</b>
<b>FR</b>	<b>Mode d'emploi type GDM-RC-100</b>	<b>Page</b>	<b>55 - 80</b>
<b>ES</b>	<b>Manual de instrucciones modelo GDM-RC-100</b>	<b>Página</b>	<b>81 - 106</b>

© 04/2020 WIKA Alexander Wiegand SE & Co. KG  
All rights reserved. / Alle Rechte vorbehalten.

WIKA® is a registered trademark in various countries.  
WIKA® ist eine geschützte Marke in verschiedenen Ländern.

Prior to starting any work, read the operating instructions!  
Keep for later use!

Vor Beginn aller Arbeiten Betriebsanleitung lesen!  
Zum späteren Gebrauch aufbewahren!

Lire le mode d'emploi avant de commencer toute opération !  
A conserver pour une utilisation ultérieure !

¡Leer el manual de instrucciones antes de comenzar cualquier trabajo!  
¡Guardar el manual para una eventual consulta!

# Contents

<b>1. General information</b>	<b>4</b>
<b>2. Design and function</b>	<b>5</b>
<b>3. Safety</b>	<b>6</b>
<b>4. Transport, packaging and storage</b>	<b>11</b>
<b>5. Commissioning, operation</b>	<b>12</b>
<b>6. Faults</b>	<b>20</b>
<b>7. Maintenance, cleaning and recalibration</b>	<b>21</b>
<b>8. Dismounting, return and disposal</b>	<b>23</b>
<b>9. Specifications</b>	<b>24</b>

Declarations of conformity can be found online at [www.wika.com](http://www.wika.com).

## 1. General information

- The gas density monitor described in the operating instructions has been designed and manufactured using state-of-the-art technology. All components are subject to stringent quality and environmental criteria during production. Our management systems are certified to ISO 9001 and ISO 14001.
- These operating instructions contain important information on handling the instrument. Working safely requires that all safety instructions and work instructions are observed.
- Observe the relevant local accident prevention regulations and general safety regulations for the instrument's range of use.
- The operating instructions are part of the product and must be kept in the immediate vicinity of the instrument and readily accessible to skilled personnel at any time. Pass the operating instructions on to the next operator or owner of the instrument.
- Skilled personnel must have carefully read and understood the operating instructions prior to beginning any work.
- The general terms and conditions contained in the sales documentation shall apply.
- Subject to technical modifications.
- Further information:
  - Internet address: [www.wika.de](http://www.wika.de) / [www.wika.com](http://www.wika.com)
  - Relevant data sheet: SP 60.27
  - Application consultant: Tel.: +49 9372 132-0  
Fax: +49 9372 132-406  
[info@wika.com](mailto:info@wika.com)

### 2. Design and function

#### 2.1 Overview



- ① Electrical connection, cable socket
- ② Lasered product label
- ③ Process connection

#### 2.2 Description

The micro switch contacts permanently built into the gas density monitor act as change-over contacts and switch if compensated limiting pressure values have been set. The micro switch contacts are actuated by a bellows system integrated into the instrument when the gas density value drops and rises.

#### 2.3 Scope of delivery

Cross-check scope of delivery with delivery note.

### 3. Safety

#### 3.1 Explanation of symbols

EN



##### **WARNING!**

... indicates a potentially dangerous situation that can result in serious injury or death, if not avoided.



##### **CAUTION!**

... indicates a potentially dangerous situation that can result in light injuries or damage to property or the environment, if not avoided.



##### **Information**

... points out useful tips, recommendations and information for efficient and trouble-free operation.

#### 3.2 Intended use

The intended use of model GDM-RC-100 is to monitor the gas density of insulating gases.

Wherever the gas density of SF<sub>6</sub> gas has to be indicated locally and, at the same time, circuits need to be switched, the model GDM-RC-100 gas density monitor finds its use.

Gas density monitors are modified pressure measuring instruments with switch contacts, specially developed for the use of SF<sub>6</sub> gas and other insulating gases.

Temperature influences acting on the enclosed gas are compensated by a compensation system.

The gas density monitors are specially designed for the respective application in switchgear (pure SF<sub>6</sub> gas, gas mixtures, calibration pressure, switch points ...). Before use, check whether this instrument is suitable for the intended application.

The insulation values (air gaps and creepage distances) are sized for the following ambient conditions in accordance with EN 61010-1:2010:

- Altitude up to 2,000 m
- Overvoltage category II
- Pollution degree 2
- Relative humidity: 0 ... 95 % non-condensing (per DIN 40040)

Only use the instrument in applications that lie within its technical performance limits (e.g. max. ambient temperature, material compatibility, ...).

→ For performance limits, see chapter 9 “Specifications”.

This instrument is not permitted to be used in hazardous areas!

The instrument has been designed and built solely for the intended use described here, and may only be used accordingly.

The technical specifications contained in these operating instructions must be observed. Improper handling or operation of the instrument outside of its technical specifications requires the instrument to be taken out of service immediately and inspected by an authorised WIKA service engineer.

The manufacturer shall not be liable for claims of any type based on operation contrary to the intended use.

### 3.3 Improper use



#### **WARNING!**

#### **Injuries through improper use**

Improper use of the instrument can lead to hazardous situations and injuries.

- ▶ Refrain from unauthorised modifications to the instrument.
- ▶ Do not open the instrument while under voltage.
- ▶ Do not use the instrument within hazardous areas.

The instrument must not be subjected to any external loading (e.g. use as a climbing aid, support for objects).

Any use beyond or different to the intended use is considered as improper use.

### 3.4 Responsibility of the operator

The instrument is used in the industrial sector. The operator is therefore responsible for legal obligations regarding safety at work.

The safety instructions within these operating instructions, as well as the safety, accident prevention and environmental protection regulations for the application area must be maintained.

The operator is obliged to maintain the product label in a legible condition.

To ensure safe working on the instrument, the operating company must ensure

- that suitable first-aid equipment is available and aid is provided whenever required.
- that the operating personnel are regularly instructed in all topics regarding work safety, first aid and environmental protection and know the operating instructions and in particular, the safety instructions contained therein.
- that the instrument is suitable for the particular application in accordance with its intended use.
- that personal protective equipment is available.

### 3.5 Personnel qualification

EN



#### **WARNING!**

#### **Risk of injury should qualification be insufficient**

Improper handling can result in considerable injury and damage to property.

- ▶ The activities described in these operating instructions may only be carried out by skilled personnel who have the qualifications described below.

#### **Skilled personnel**

Skilled personnel, authorised by the operator, are understood to be personnel who, based on their technical training, knowledge of measurement and control technology and on their experience and knowledge of country-specific regulations, current standards and directives, are capable of carrying out the work described and independently recognising potential hazards.

#### **Specifically when using SF<sub>6</sub> gas**

The plant operator must ensure that the handling of SF<sub>6</sub> gas is only carried out by a qualified company or by qualified persons who have been specially trained in accordance with IEC 61634, section 4.3.1 or IEC 60480, section 10.3.1.

### 3.6 Personal protective equipment

The personal protective equipment is designed to protect the skilled personnel from hazards that could impair their safety or health during work. When carrying out the various tasks on and with the instrument, the skilled personnel must wear personal protective equipment.

#### **Follow the instructions displayed in the work area regarding personal protective equipment!**

The requisite personal protective equipment must be provided by the operating company.



#### **Safety goggles in accordance with EN 166, class 2, mechanical strength class S**

Safety goggles must be worn during the entire period when working on hoses or gas containers (e.g. gas cylinders, tanks).

The safety goggles protect the eyes from any flying particles, escaping gas and liquid splashes.



#### **Protective gloves against heat in accordance with EN ISO 13732-1 and against cold in accordance with EN ISO 13732-3**

The protective gloves must be worn over the entire period when working on hoses, gas containers (e.g. gas cylinders, tanks) or components which heat up to over 60 °C.



### 3.7 Handling of insulating gases and gas mixtures

SF<sub>6</sub> gas is a greenhouse gas which is listed in the Kyoto Protocol. SF<sub>6</sub> gas must not be released into the atmosphere, but must be collected in suitable containers.

#### Properties of insulating gases

- Colourless and odourless
- Chemically neutral
- Inert
- Not flammable
- Heavier than air
- No toxicity
- No damage to the ozone layer

Detailed information is given in IEC 60376 and IEC 61634.

#### Danger of suffocation caused by insulating gases and gas mixtures

High concentrations of gases can lead to asphyxiation, since breathable air is displaced from the lungs with the inhalation of gas.

Since SF<sub>6</sub> gas is heavier than air, it collects, especially, at ground level or lower-lying rooms below the reference level (e.g. cellars). This is particularly dangerous since SF<sub>6</sub> gas is colourless and odourless and thus may be imperceptible to people.

### 3.8 Danger caused by decomposition products

Insulating gas in electrical systems may contain decomposition products generated by electric arcs:

- Gaseous sulphur fluorides
- Sulphur hexafluorides
- Solid and atomized metal fluorides, metal sulphides, metal oxides
- Hydrogen fluoride
- Sulphur dioxide

Decomposition products can be harmful to health.

- They can cause poisoning by inhalation, ingestion or contact with the skin.
- They may be irritating to the eyes, the respiratory system or the skin and burn them.
- Inhalation of large quantities may damage the lungs.

Observe the following safety instructions in order to avoid danger from insulating gas:

- Wear personal protective equipment.
- Read the material safety data sheet of the gas supplier.
- With large leaks, evacuate the area quickly.
- Ensure good ventilation.
- Ensure the leak tightness of the equipment with a leak detector (e.g. model GIR-10).

## 3.9 Applicable standards and directives for installation, assembly, commissioning:

- BGI 753 (SF<sub>6</sub> plants and equipment in Germany)
- IEC 61634 (Handling of SF<sub>6</sub> gas)
- IEC 60376 (New SF<sub>6</sub> gas, technical grade SF<sub>6</sub> gas)
- IEC 60480 (Used SF<sub>6</sub> gas)
- CIGRE report 276, 2005 (Practical SF<sub>6</sub> gas handling instructions)

Leaks during operation:

- IEC 60376 (New SF<sub>6</sub> gas, technical grade SF<sub>6</sub> gas)
- IEC 60480 (Used SF<sub>6</sub> gas)
- CIGRE 2002 ("SF<sub>6</sub> gas in the electrical industry")

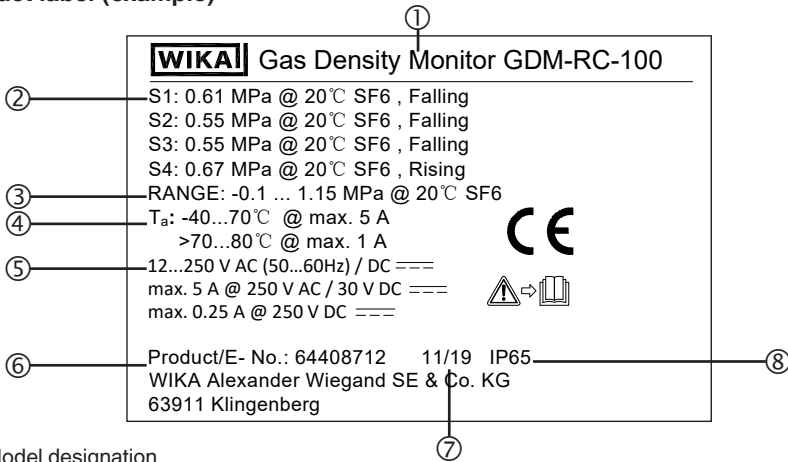


SF<sub>6</sub> is a colourless and odourless, chemically neutral, inert and non-flammable gas which is approx. five times heavier than air, non-toxic and not harmful to the ozone layer.

Detailed information is given in IEC 60376 and IEC 61634.

## 3.10 Labelling, safety marks

### Product label (example)



- ① Model designation
- ② Position and number of switch points
- ③ Measuring range
- ④ Permissible ambient temperature
- ⑤ Electrical characteristics
- ⑥ Article number
- ⑦ Date of manufacture
- ⑧ IP class



Before mounting and commissioning the instrument, ensure you read the operating instructions!

### 4. Transport, packaging and storage

#### 4.1 Transport

Check the gas density monitor for any damage that may have been caused by transport. Obvious damage must be reported immediately.



#### **CAUTION!**

##### **Damage through improper transport**

With improper transport, a high level of damage to property can occur.

- ▶ When unloading packed goods upon delivery as well as during internal transport, proceed carefully and observe the symbols on the packaging.
- ▶ With internal transport, observe the instructions in chapter 5.2 “Packaging and storage”.

#### 4.2 Packaging and storage

Do not remove packaging until just before mounting.

Keep the packaging as it will provide optimum protection during transport (e.g. change in installation site, sending for repair).



#### **WARNING!**

##### **Physical injuries and damage to property and the environment caused by hazardous decomposition products**

Before storing the instrument, any residual decomposition products must be removed.

- ▶ For cleaning, see chapter 7.2 “Cleaning”

#### **Permissible conditions at the place of storage:**

- Storage temperature (basic product): -50 ... +80 °C
- Humidity: ≤ 95 % r. h. (no condensation)

#### **Avoid exposure to the following factors:**

- Soot, vapour, dust and corrosive gases
- Hazardous environments, flammable atmospheres

Store the instrument in its original packaging in a location that fulfils the conditions listed above. If the original packaging is not available, pack and store the instrument as described below:

1. Place the instrument, along with the shock-absorbent material, in the packaging.
2. If stored for a prolonged period of time (more than 30 days), place a bag containing a desiccant inside the packaging.

### 5. Commissioning, operation

#### 5.1 Mechanical mounting

EN



#### **CAUTION!**

#### **Physical injuries and damage to property and the environment through faulty instrument**

Prior to commissioning, the instrument must be subjected to a visual inspection. Only use the instrument if it is in perfect condition with respect to safety.

#### 5.1.1 Requirements for the installation point

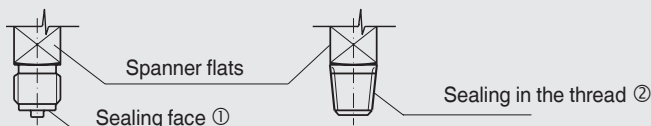
- For outdoor applications, the selected installation location has to be suitable for the specified ingress protection, so that the instrument is not exposed to impermissible weather conditions.
- The sealing faces at the instrument and at the measuring point have to be undamaged and clean.

#### 5.1.2 Installation

- With transport or storage, it can occur that gas density monitors warm up or cool down and this results in pointer movements. These pointer movements are caused by the compensation system. To make sure that the instruments have adapted sufficiently to ambient temperature, at least 2 hours at 20 °C must be allowed for adaptation to the temperature. Then, in the depressurised state, the pointer will sit within the tolerance bar.
- Corresponding to the general technical rules for pressure gauges (e.g. EN 837-2 “Selection and installation recommendations for pressure gauges”) when screwing in the instrument, the force required to do this must not be applied through the case, but only through the spanner flats provided for this purpose and using a suitable tool.
- When screwing in, do not tilt the threads.

For parallel threads, use flat gaskets, lens-type sealing rings or WIKA profile sealings at the sealing face ①. With tapered threads (e.g. NPT threads), sealing is made in the threads ②, using a suitable sealing material (EN 837-2).

The tightening torque depends on the sealing used. In order to orientate the measuring instrument so that it can be read as well as possible, a connection with LH-RH union or union nut should be used. When a blow-out device is fitted to an instrument, it must be protected against being blocked by debris and dirt.



### 5.1.3 Temperature load

The installation of the instrument should be made in such a way that the permissible operating temperature, also considering the effects of convection and thermal radiation, neither exceeds nor falls below the permissible limits.

The influence of temperature on the indication and measurement accuracy must be observed.

## 5.2 Electrical connection

### 5.2.1 Connection lead

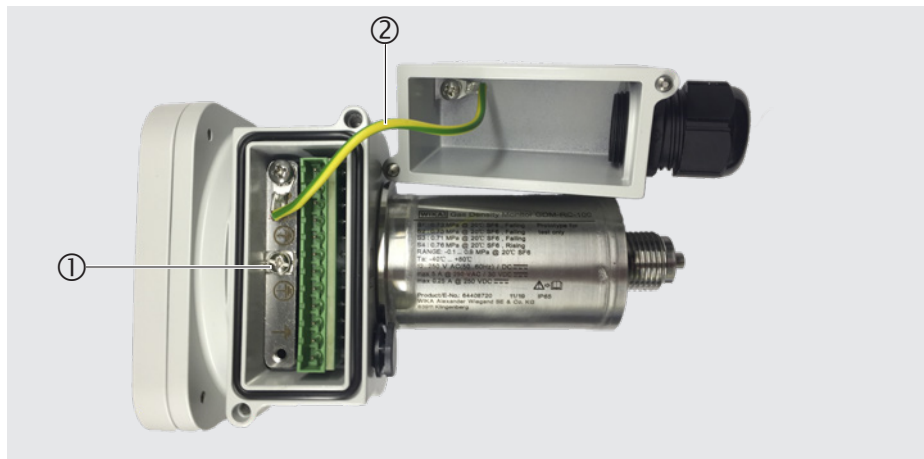
With the selection of connection leads, the following points must be noted:

- Conductor cross-section must be selected corresponding to the load current/overcurrent protection device.
- The sealing range of the supplied cable gland must fit the conductor diameter.
- The temperature range of the cable must correspond, as a minimum, to the operating temperature range of the instrument.

→ For specifications, see chapter 9 “Specifications”.

### 5.2.2 Grounding

- The main instrument must be grounded via the process connection.
- Fasten the protective conductor of the connecting cable for the switch contacts to the terminal (1) provided for this purpose as shown in the figure below.
- Never remove the protective conductor connection cable (2) between the main instrument and the counterpart of the cable socket. Otherwise, operational safety cannot be ensured.



## 5. Commissioning, operation

### 5.2.3 Connection terminals and wire preparation

The connection terminals are suitable for the following types of single conductor or cross-sections:

EN

Connection terminals and wire preparation		
	Connection terminals of the socket terminal strip	Connection terminals of the protective conductor
<b>Types of single conductors</b>	<ul style="list-style-type: none"> <li>■ Solid wire core</li> <li>■ Flexible strand</li> <li>■ Flexible strand with end splice</li> </ul>	<ul style="list-style-type: none"> <li>■ Solid wire core</li> <li>■ Flexible strand with end splice</li> </ul>
<b>Wire length</b>	≥ 90 mm	≥ 120 mm
<b>Maximum length of the bare wire end</b>	Max. 5.5 mm	Max. 8 mm
<b>Number of wires / Cross-sections</b>	1 x 0.5 mm <sup>2</sup> to 1 x 2.5 mm <sup>2</sup>	
<b>Recommended tightening torque</b>	0.5 Nm	1.2 Nm

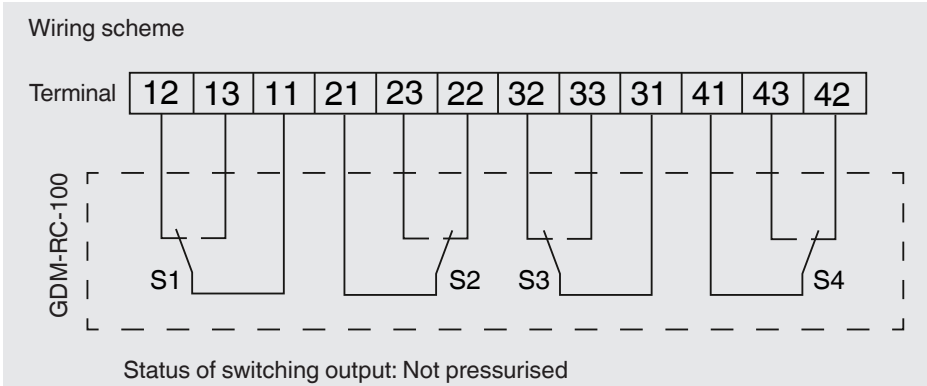
### 5.2.4 Switch contacts

- The position of the switch points and the switching functions are indicated on the product label.
- The assignment of the individual switching functions is marked on a sticker affixed to the mating connector at the terminal:

Wiring scheme	
<b>First digit</b>	<ul style="list-style-type: none"> <li>■ 1x – Switch contact S1</li> <li>■ 2x – Switch contact S2</li> <li>■ 3x – Switch contact S3</li> <li>■ 4x – Switch contact S4</li> </ul>
<b>Second digit</b>	<ul style="list-style-type: none"> <li>■ x1 – Common</li> <li>■ x2 – Normally closed</li> <li>■ x3 – Normally open</li> </ul>

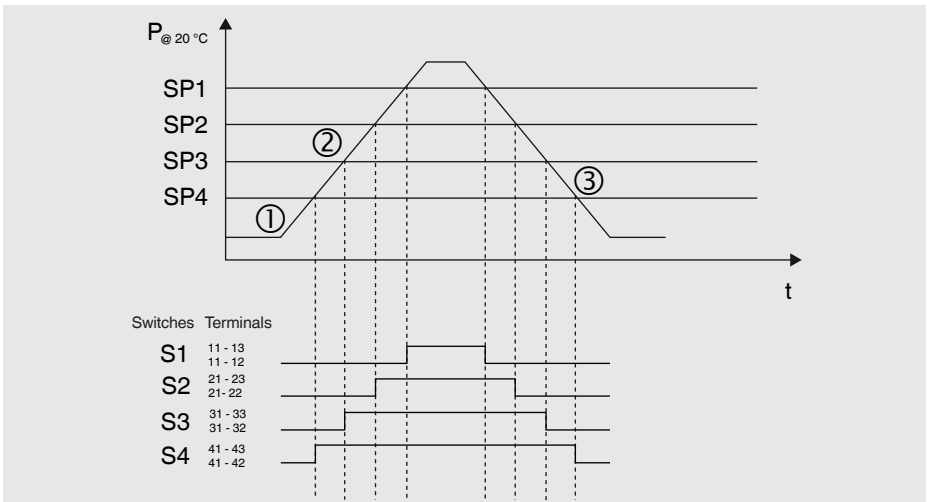
# 5. Commissioning, operation

## Wiring scheme



EN

Schematic diagram of the switch behaviour with rising or falling gas density over time:



The actual order of the switch points is customer-specific.

If the gas density monitor is not pressurised, all contacts are not actuated mechanically.  
Fourth switch point: Pin 41 is connected to pin 42 (1).

If the gas density monitor is pressurised, an overtravel of the switch point will switch the switch contact from pins 41-42 to pins 41-43.

The switch contact will not be switched back from pins 41-43 to pins 41-42 until the value drops below the switching threshold.

## 5. Commissioning, operation

Up to four switch contacts allow all desired switching functions to be completely covered. Depending on the application requirement, falling closing, falling opening, rising closing or rising opening can be switched.

The switch contacts are adjusted for either falling or rising density.

EN



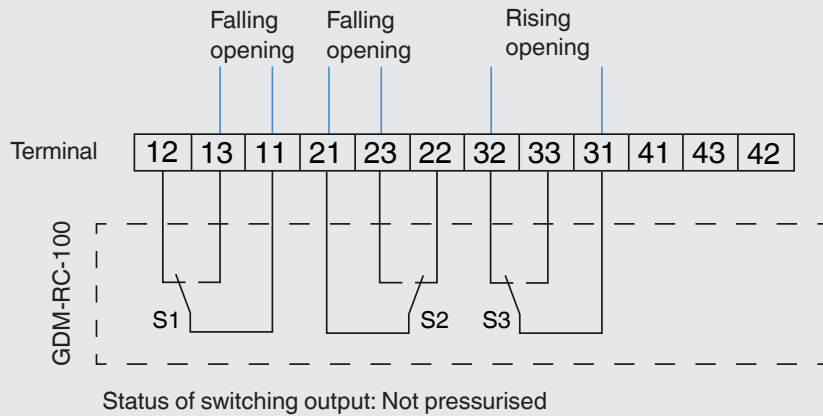
It is recommended to always switch only in the switching direction adjusted ex works, since otherwise the switch hysteresis of the switch contact also has to be taken into account.

→ Detailed information regarding hysteresis see data sheet SP 60.27

### Examples for switching functions in the application

1. Example with three contacts as normally closed: Contacts 1 and 2 should open when value drops below threshold, and contact 3 should open when threshold is exceeded:

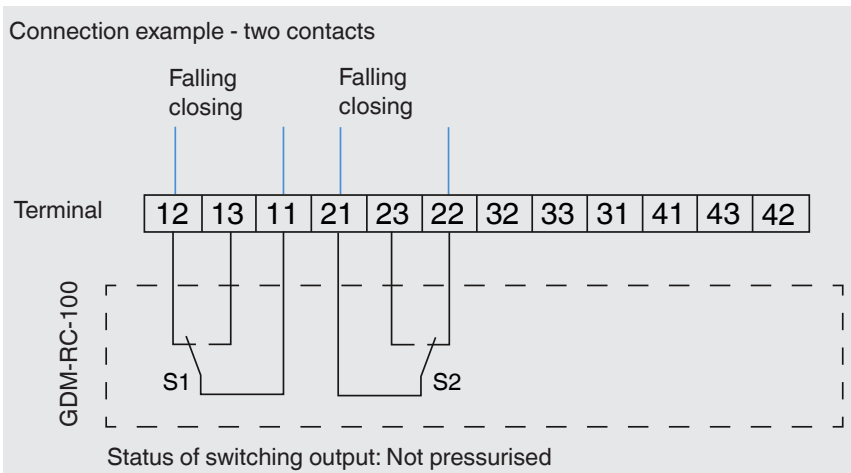
#### Connection example - three contacts





## 5. Commissioning, operation

2. Example with two contacts as normally open: Contacts 1 and 2 should close when values drops below threshold:



EN

### 5.2.5 Closing the cable socket

- Ensure that no moisture can enter at the cable end.
- For this, make sure that the cable gland of the assembled case cover fits the diameter of the cable used and that the cable gland is correctly seated.
- Make sure that the seals are present and undamaged.
- Tighten the cable gland with the torque specified in the specifications ( see chapter 9 “Specifications”) and check that the seal is correctly seated, in order to ensure the ingress protection.

### 5.2.6 Limit values for the contact load with resistive load

Do not exceed the limit values.

The switching current must not be less than 10 mA with low voltages (12 V) for switching reliability reasons.

### Overcurrent protectors

The instruments do not provide for incorporated overcurrent protectors. Therefore, overcurrent protection devices with the following nominal values must be used on the system side:

- Max. 5 A (at  $T_a$ : -40 ... +70 °C)
- Max. 1 A (at  $T_a$ : > 70 ... 80 °C)



If overcurrent protection devices in accordance with EN 60127-2 or equivalent are used, these must be selected with a high breaking capacity (e.g. H1500A).

## 5. Commissioning, operation

### 5.2.7 Contact protection measures

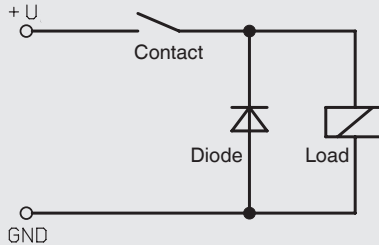
Mechanical contacts must not exceed the specified electrical values for switching current, switching voltage and switching power independent of each other, not even for a short time only.

**EN** For capacitive or inductive loads one of the following protective circuits is recommended:

#### Inductive load with DC voltage

With DC voltage the contact protection can be achieved via a free-wheeling diode, connected in parallel to the load. The polarity of the diode must be arranged so that it closes when the operating voltage is on.

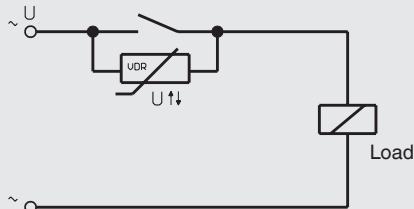
Example:  
Contact protection  
measure with free-  
wheeling diode



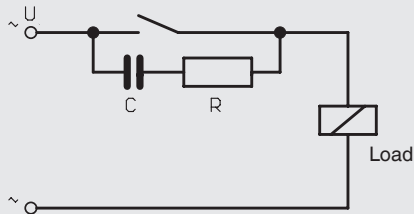
#### Inductive load with AC voltage

With AC voltage two protection measures are possible:

Example:  
Contact protection  
measure with voltage-  
dependent resistor VDR



Example:  
Contact protection  
measure with RC element

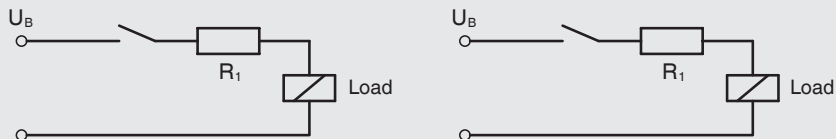


## 5. Commissioning, operation

### Capacitive load

With capacitive loads elevated switch-on currents arise. These can be reduced by series-connecting resistors in the supply line.

Examples: Contact protection measure with current-limiting resistor



EN

### 5.3 Switch point setting

The switch points have a fixed setting as standard and cannot be adjusted. Thus, an undesired adjustment of the switch points is excluded.

## 6. Faults

EN



### CAUTION!

#### Physical injuries and damage to property and the environment

If faults cannot be eliminated by means of the listed measures, the gas density monitor must be taken out of operation immediately.

- ▶ Ensure that pressure or signal is no longer present and protect against accidental commissioning.
- ▶ Contact the manufacturer.
- ▶ If a return is needed, please follow the instructions given in chapter 9.2 “Return”.



For contact details see chapter 1 “General information” or the back page of the operating instructions.

Faults	Causes	Measures
<b>Contact is no longer switching in accordance with the specification.</b>	Electrical connection is interrupted.	Carry out a continuity test on the electrical connection lines.
	Electrical load unsuitable for the switch contact model.	Maintain the permissible electrical loads for the switch contact model.
	Contact contaminated.	
<b>Switching status remains unchanged despite reaching the switch point/reset point.</b>	Contacts defective (e.g. fused contact zone).	Replace instrument. Before recommissioning the new instrument, provide a protective circuit for the contact.
<b>No pointer movement despite change in pressure.</b>	Movement blocked.	Replace instrument.
<b>Pointer movement, even though depressurised.</b>	Warming or cooling of the measuring instrument (no damage)	Let the instrument settle for 2 hours at 20 °C.

For claims, the serial and product numbers must be stated. The serial number is printed on the dial, the product number on the product label. With claims, the atmospheric pressure and the temperature during the measurement must be given, as well as the data on the reference standard (model, class).

### 7. Maintenance, cleaning and recalibration

#### 7.1 Maintenance

These gas density monitors are maintenance-free.

The indicator and switching function should be checked once or twice every year. For this the instrument must be disconnected from the gas compartment to check with a pressure testing device (e.g. WIKA BCS-10).

Repairs must only be carried out by the manufacturer.

The instruments must not be opened, since this can lead to indication and switch point errors.

#### 7.2 Cleaning



##### **CAUTION!**

##### **Physical injuries and damage to property and the environment**

Improper cleaning may lead to physical injuries and damage to property and the environment. Residual media in the dismantled instrument can result in a risk to persons, the environment and equipment.

► Carry out the cleaning process as described below.

1. Before cleaning, correctly disconnect the instrument from the pressure supply, switch it off and disconnect it from the mains.
2. Use the requisite protective equipment.
3. Clean the instrument with a moist cloth.  
Electrical connections must not come into contact with moisture!



##### **CAUTION!**

##### **Damage to the instrument**

Improper cleaning may lead to damage to the instrument!

- Do not use any aggressive cleaning agents.
- Do not use any hard or pointed objects for cleaning.

4. Wash or clean the dismantled instrument, in order to protect persons and the environment from exposure to residual media.



Information on returns can be found under the heading “Service” on our local website.

### 7.3 Calibration

The gas density monitor can be calibrated via a special calibration system for gas density measuring instruments (e.g. WIKA BCS-10).

EN

The gas density monitor with test connection and shut-off valve can be isolated from the gas compartment using the shut-off valve, without the gas density monitor needing to be dismantled. With gas density monitors that do not offer a test connection and shut-off valve, the gas density monitor must be dismantled professionally. In this case, it may be necessary to take the entire system temporarily out of service.

#### Calibration of the gas density monitor with test connection and shut-off valve (using the example of model GDM-100-CV)



#### CAUTION!

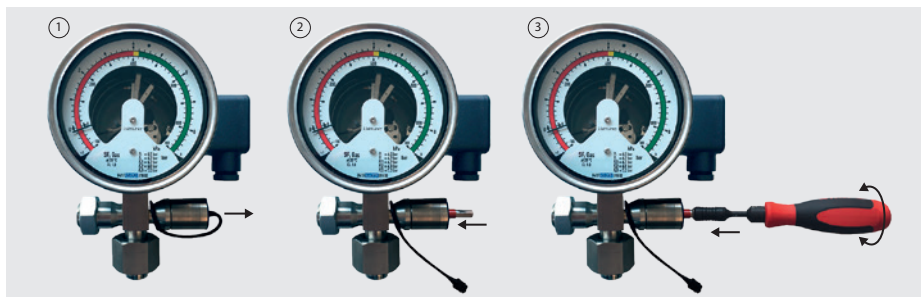
##### Discontinuity in the monitoring function

During calibration, the gas density monitor must be isolated from the gas compartment being monitored. In the event of a leakage, no alarm will be able to be given.

- ▶ After calibration, open the shut-off valve again.

Tightening torque shut-off valve: 1.2 Nm  $\pm$ 10 %

Tightening torque test connection: 60 Nm  $\pm$ 10 %



1. Pull out the plug for valve setting (1).
2. Insert the socket wrench insert into the valve setting (2).
3. Turn the valve setting to the "CLOSE" position (3) with the aid of the socket wrench.
  - Socket wrench insert can no longer be pulled out.
  - Gas density monitor is isolated from the gas compartment.
4. Connect the test gas and test standard with the test connection.
5. Make the calibration.
6. Isolate the test gas and test standard from the test connection.
7. Turn the valve setting to the "OPEN" position (3) with the aid of the socket wrench.
  - Socket wrench insert can now be pulled out again.
  - Gas density monitor is connected to the gas compartment.

### 8. Dismounting, return and disposal

#### 8.1 Dismounting



**WARNING!**

**Physical injuries and damage to property and the environment caused by hazardous decomposition products**

Upon contact with hazardous decomposition products, there is a danger of physical injuries and damage to property and the environment.

- ▶ Wear the requisite protective equipment (see chapter 3.6 “Personal protective equipment”).

#### 8.2 Return

**Strictly observe the following when shipping the instrument:**

All instruments delivered to WIKA must be free from any kind of hazardous substances (acids, bases, solutions, etc.) and must therefore be cleaned before being returned.

When returning the instrument, use the original packaging or a suitable transport packaging.

**To avoid damage:**

1. Place the instrument, along with the shock-absorbent material, in the packaging.  
Place shock-absorbent material evenly on all sides of the transport packaging.
3. If possible, place a bag containing a desiccant inside the packaging.



Information on returns can be found under the heading “Service” on our local website.

#### 8.3 Disposal

Incorrect disposal can put the environment at risk.

Dispose of instrument components and packaging materials in an environmentally compatible way and in accordance with the country-specific waste disposal regulations.



Do not dispose of with household waste. Ensure a proper disposal in accordance with national regulations.

## 9. Specifications

EN

General	
Measurement principle	Reference gas measurement
Measuring range	<ul style="list-style-type: none"> <li>■ 0 ... 10 bar abs. at 20 °C SF<sub>6</sub> gas</li> <li>■ 0 ... 12.5 bar abs. at 20 °C SF<sub>6</sub> gas</li> </ul>
Nominal size of the optical display	100 mm
Self-indication in case of malfunction	Integrated into the instrument, the switch contact is actuated in case of leakage in the reference chamber
Product label	Lasered onto the reference chamber, maximum weather resistance
Accessories	See model GLTC-CV

### Accuracy

#### Switching accuracy

-1 ... +5 bar at 20 °C	<ul style="list-style-type: none"> <li>■ ±70 mbar at calibration pressure at 20 °C, gaseous phase</li> <li>■ ±100 mbar at calibration pressure at -30 ... +50 °C, gaseous phase</li> </ul>
-1 ... +9 bar at 20 °C	<ul style="list-style-type: none"> <li>■ ±100 mbar at calibration pressure at 20 °C, gaseous phase</li> <li>■ ±150 mbar at calibration pressure at -30 ... +50 °C, gaseous phase</li> </ul>
-1 ... +11.5 bar at 20 °C	<ul style="list-style-type: none"> <li>■ ±150 mbar at calibration pressure at 20 °C, gaseous phase</li> <li>■ ±200 mbar at calibration pressure at -30 ... +50 °C, gaseous phase</li> </ul>

#### Indication accuracy on numbered scale

-1 ... +5 bar at 20 °C	<ul style="list-style-type: none"> <li>■ ±70 mbar at calibration pressure at 20 °C, gaseous phase</li> <li>■ ±100 mbar at calibration pressure at -30 ... +50 °C, gaseous phase</li> </ul>
-1 ... +9 bar at 20 °C	<ul style="list-style-type: none"> <li>■ ±100 mbar at calibration pressure at 20 °C, gaseous phase</li> <li>■ ±150 mbar at calibration pressure at -30 ... +50 °C, gaseous phase</li> </ul>
-1 ... +11.5 bar at 20 °C	<ul style="list-style-type: none"> <li>■ ±150 mbar at calibration pressure at 20 °C, gaseous phase</li> <li>■ ±200 mbar at calibration pressure at -30 ... +50 °C, gaseous phase</li> </ul>
	Calibration pressure established by means of reference isochore, generated by Prof. Bier



## 9. Specifications

EN

Dial	
<b>Scale range on dial</b>	<ul style="list-style-type: none"> <li>■ End of measuring range: 1.3 bar above the first switch point below the filling pressure</li> <li>■ Numbering: Terminates 900 mbar above the first switch point below the filling pressure</li> </ul> <p>Extended measuring range (at least 4 bar below and 1.3 bar above the first switch point)</p>
<b>Scale</b>	<ul style="list-style-type: none"> <li>■ Single scale (divided into sections of different colours)</li> <li>■ Double scale (divided into sections of different colours)</li> <li>■ Triple scale (divided into sections of different colours)</li> </ul>
<b>Material</b>	Aluminium

Switch contacts			
<b>Switch model</b>	Potential-free change-over contacts		
<b>Electrical connection</b>			
Electrical connection	12-pin TTI plug-in terminal		
Wire cross-section	<ul style="list-style-type: none"> <li>■ min. 0.25 mm<sup>2</sup></li> <li>■ max. 2.5 mm<sup>2</sup></li> </ul>		
Grounding	Grounding in cable socket available		
<b>Quantity</b>	<ul style="list-style-type: none"> <li>■ 1 switch contact</li> <li>■ 2 switch contacts</li> <li>■ 3 switch contacts</li> <li>■ 4 switch contacts</li> </ul> <p>Up to 4 switch contacts possible as change-over contact</p>		
<b>Switching directions</b>	<ul style="list-style-type: none"> <li>■ Falling density</li> <li>■ Rising density</li> </ul>		
<b>Switch points</b>	In accordance with customer specification, maximum difference of lowest to highest contact: 4 bar		
<b>Electrical characteristics</b>	<b>Switching voltage</b>	<b>Resistive load A</b>	<b>Inductive load A</b>
	≤ DC 30 V	5 <sup>1)</sup>	3 <sup>1)</sup>
	≤ DC 50 V	1	1
	≤ DC 75 V	0.75	0.75
	≤ DC 125 V	0.5	0.03
	≤ DC 250 V	0.25	0.03
	≤ AC 125 V	5 <sup>1)</sup>	2 <sup>1)</sup>
≤ AC 250 V	5 <sup>1)</sup>	2 <sup>1)</sup>	

14385258.02 06/2020 EN/DE/FR/ES

# 9. Specifications

EN

Switch contacts		
Minimum switching voltage and current	12 V, 10 mA	
Calibration pressure	First switch point below filling pressure	
Switching function	Change-over contact	
Circuits	Galvanically isolated	
Maximum number of cycles	10,000 mechanical and electrical	
Insulation resistance contact	> 100 MOhm	
Switch hysteresis	Measuring range	Hysteresis level
	-1 ... +5 bar at 20 °C	Typically < 90 mbar <sup>2)</sup>
	-1 ... +7.5 bar at 20 °C	Typically < 150 mbar <sup>2)</sup>
	-1 ... +11.5 bar at 20 °C	Typically < 220 mbar <sup>2)</sup>
Lower switch hysteresis on request		

1) Only up to 70 °C ambient temperature.

At 70 ... 80 °C ambient temperature, the contacts must be operated with a maximum of 1 A.

2) In accordance with BS 6134:1991, rate of pressure change 1 % of end value per second.

## Permissible ambient conditions

### Permissible ambient temperature

Operating temperature	-40 ... +80 °C [-40 ... +176 °F], gaseous phase
Storage temperature	-50 ... +80 °C [-58 ... 176 °F]
Ingress protection	IP65, IP67
Permissible air humidity	≤ 95 % r. h. (non-condensing) Compensating diaphragm against condensation
Shock resistance	<ul style="list-style-type: none"> <li>■ 50 g/11 ms: no contact bouncing at a distance of 200 mbar from the switch point</li> <li>■ 150 g: no damage in all axes and directions</li> </ul>
Vibration resistance	<ul style="list-style-type: none"> <li>■ 4 g at a distance of 50 mbar from the switch point, no contact bouncing (20 ... 100 Hz)</li> </ul>

### EMC tests

Dielectric strength	<ul style="list-style-type: none"> <li>■ 2 kV pin on grounding (case)</li> <li>■ 2 kV pin to pin (switch contact to switch contact)</li> <li>■ 1 kV pin on pin within switch contacts - 1 minute</li> </ul>
Lightning	7 kV x 1.2/50 µs

14385258.02 06/2020 EN/DE/FR/ES

## 9. Specifications

EN

### Leak tightness

Process connection	$\leq 1 \times 10^{-8}$ mbar x l/s
Bellows sealing	$\leq 1 \times 10^{-8}$ mbar x l/s

### Materials

#### Wetted materials

Reference chamber (pressure element)	Stainless steel, filling with reference gas
Process connection	G ½ B per EN 837, axial or radial, stainless steel, spanner flats 22 mm
	Other connections and connection locations on request

#### Non-wetted materials

Case and cover	Aluminium die-casting, powder-coated
Cable gland M25 x 1.5	Plastic, sealing range 5 ... 13 mm; (optional 8 ... 17 mm) Tightening torque: 8 Nm
Movement	Brass
Pointer	Aluminium, black
Window	Laminated safety glass
Dial	Aluminium

#### Maximum load

Minimum bursting strength	> 36 bar
Maximum overpressure	1.43 times the measuring range
Weight	< 1,250 g

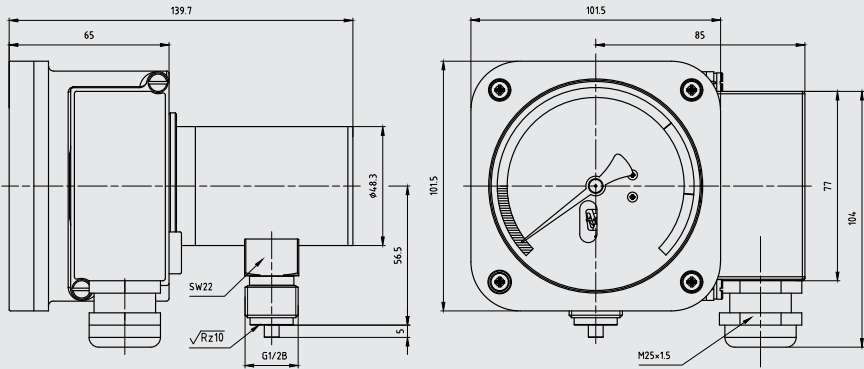
For further specifications see WIKA data sheet SP 60.27 and the order documentation.

# 9. Specifications

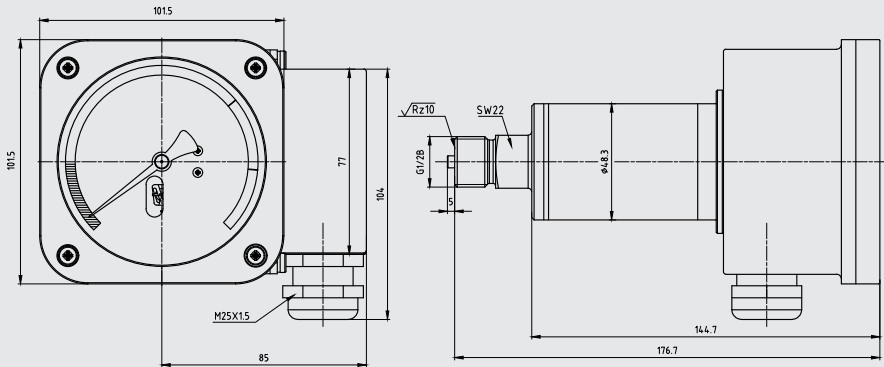
## Dimensions in mm

EN

### Vertical version



### Back mount version



# Inhalt

---

<b>1. Allgemeines</b>	<b>30</b>
<b>2. Aufbau und Funktion</b>	<b>31</b>
<b>3. Sicherheit</b>	<b>32</b>
<b>4. Transport, Verpackung und Lagerung</b>	<b>37</b>
<b>5. Inbetriebnahme, Betrieb</b>	<b>38</b>
<b>6. Störungen</b>	<b>46</b>
<b>7. Wartung, Reinigung and Rekalibrierung</b>	<b>47</b>
<b>8. Demontage, Rücksendung und Entsorgung</b>	<b>49</b>
<b>9. Technische Daten</b>	<b>50</b>

---

**DE**

Konformitätserklärungen finden Sie online unter [www.wika.de](http://www.wika.de).

## 1. Allgemeines

- Der in der Betriebsanleitung beschriebene Gasdichtewächter wird nach dem aktuellen Stand der Technik konstruiert und gefertigt. Alle Komponenten unterliegen während der Fertigung strengen Qualitäts- und Umweltkriterien. Unsere Managementsysteme sind nach ISO 9001 und ISO 14001 zertifiziert.
- Diese Betriebsanleitung gibt wichtige Hinweise zum Umgang mit dem Gerät. Voraussetzung für sicheres Arbeiten ist die Einhaltung aller angegebenen Sicherheitshinweise und Handlungsanweisungen.
- Die für den Einsatzbereich des Gerätes geltenden örtlichen Unfallverhütungsvorschriften und allgemeinen Sicherheitsbestimmungen einhalten.
- Die Betriebsanleitung ist Produktbestandteil und muss in unmittelbarer Nähe des Gerätes für das Fachpersonal jederzeit zugänglich aufbewahrt werden. Betriebsanleitung an nachfolgende Benutzer oder Besitzer des Gerätes weitergeben.
- Das Fachpersonal muss die Betriebsanleitung vor Beginn aller Arbeiten sorgfältig durchgelesen und verstanden haben.
- Es gelten die allgemeinen Geschäftsbedingungen in den Verkaufsunterlagen.
- Technische Änderungen vorbehalten.
- Weitere Informationen:
  - Internet-Adresse: [www.wika.de](http://www.wika.de) / [www.wika.com](http://www.wika.com)
  - Zugehöriges Datenblatt: SP 60.27
  - Anwendungsberater: Tel.: +49 9372 132-0  
Fax: +49 9372 132-406  
[info@wika.de](mailto:info@wika.de)

### 2. Aufbau und Funktion

#### 2.1 Überblick



DE

- ① Elektrischer Anschluss, Kabeldose
- ② Aufgelasertes Typenschild
- ③ Prozessanschluss

#### 2.2 Beschreibung

Die im Gasdichtewächter fest eingebauten Mikroschaltkontakte fungieren als Wechsler und schalten bei eingestellten kompensierten Grenzdruckwerten. Die Mikroschaltkontakte werden durch ein im Gerät integriertes Balgsystem beim Fallen sowie Steigen des Gasdichtewerts betätigt.

#### 2.3 Lieferumfang

Lieferumfang mit dem Lieferschein abgleichen.

### 3. Sicherheit

#### 3.1 Symbolerklärung

DE



##### **WARNUNG!**

... weist auf eine möglicherweise gefährliche Situation hin, die zum Tod oder zu schweren Verletzungen führen kann, wenn sie nicht gemieden wird.



##### **VORSICHT!**

... weist auf eine möglicherweise gefährliche Situation hin, die zu geringfügigen oder leichten Verletzungen bzw. Sach- und Umweltschäden führen kann, wenn sie nicht gemieden wird.



##### **Information**

... hebt nützliche Tipps und Empfehlungen sowie Informationen für einen effizienten und störungsfreien Betrieb hervor.

#### 3.2 Bestimmungsgemäße Verwendung

Die bestimmungsgemäße Verwendung des Typ GDM-RC-100 ist die Überwachung der Gasdichte von Isoliergasen.

Überall dort, wo die Gasdichte von SF<sub>6</sub>-Gas vor Ort angezeigt werden muss und gleichzeitig Stromkreise geschaltet werden sollen, findet der Gasdichtewächter Typ GDM-RC-100 seinen Einsatz.

Gasdichtewächter sind abgewandelte Druckmessgeräte mit Schaltkontakten, die speziell für die Verwendung von SF<sub>6</sub>-Gas und anderen Isoliergasen entwickelt wurden. Temperatureinflüsse die auf das eingeschlossene Gas wirken, werden durch ein Kompensationssystem ausgeglichen.

Die Gasdichtewächter sind speziell für den jeweiligen Einsatzfall in der Schaltanlage ausgelegt (reines SF<sub>6</sub>-Gas, Gasgemische, Eichdruck, Schaltpunkte...). Vor der Verwendung überprüfen, ob das vorliegende Gerät für den vorgesehenen Einsatzfall geeignet ist.

Die Isolationswerte (Luft - und Kriechstrecken) sind gemäß EN 61010-1:2010 für folgende Umgebungsbedingungen bemessen:

- Höhenlage bis 2.000 m
- Überspannungskategorie II
- Verschmutzungsgrad 2
- Relative Feuchte: 0 ... 95 % nicht betauend (nach DIN 40040)

Das Gerät nur in Anwendungen verwenden, die innerhalb seiner technischen Leistungsgrenzen liegen (z. B. max. Umgebungstemperatur, Materialverträglichkeit, ...).

→ Leistungsgrenzen siehe Kapitel 9 „Technische Daten“.

Dieses Gerät ist nicht für den Einsatz in explosionsgefährdeten Bereichen zugelassen!



Das Gerät ist ausschließlich für den hier beschriebenen bestimmungsgemäßen Verwendungszweck konzipiert und konstruiert und darf nur dementsprechend verwendet werden.

Die technischen Spezifikationen in dieser Betriebsanleitung sind einzuhalten. Eine unsachgemäße Handhabung oder ein Betreiben des Gerätes außerhalb der technischen Spezifikationen macht die sofortige Stilllegung und Überprüfung durch einen autorisierten WIKA-Service Mitarbeiter erforderlich.

Ansprüche jeglicher Art aufgrund von nicht bestimmungsgemäßer Verwendung sind ausgeschlossen.

### 3.3 Fehlgebrauch



#### **WARNUNG!**

#### **Verletzungen durch Fehlgebrauch**

Fehlgebrauch des Gerätes kann zu gefährlichen Situationen und Verletzungen führen.

- ▶ Eigenmächtige Umbauten am Gerät unterlassen.
- ▶ Gerät nicht unter Spannung öffnen.
- ▶ Gerät nicht in explosionsgefährdeten Bereichen einsetzen.

Das Gerät darf von außen keinerlei Belastungen ausgesetzt werden (z. B. Nutzung als Steighilfe, Ablage von Gegenständen).

Jede über die bestimmungsgemäße Verwendung hinausgehende oder andersartige Benutzung gilt als Fehlgebrauch.

### 3.4 Verantwortung des Betreibers

Das Gerät wird im gewerblichen Bereich eingesetzt. Der Betreiber unterliegt daher den gesetzlichen Pflichten zur Arbeitssicherheit.

Die Sicherheitshinweise dieser Betriebsanleitung, sowie die für den Einsatzbereich des Gerätes gültigen Sicherheits-, Unfallverhütungs- und Umweltschutzvorschriften einhalten.

Der Betreiber ist verpflichtet das Typenschild lesbar zu halten.

Für ein sicheres Arbeiten am Gerät muss der Betreiber sicherstellen,

- dass eine entsprechende Erste-Hilfe-Ausrüstung vorhanden ist und bei Bedarf jederzeit Hilfe zur Stelle ist.
- dass das Bedienpersonal regelmäßig in allen zutreffenden Fragen von Arbeitssicherheit, Erste Hilfe und Umweltschutz unterwiesen wird, sowie die Betriebsanleitung und insbesondere die darin enthaltenen Sicherheitshinweise kennt.
- dass das Gerät gemäß der bestimmungsgemäßen Verwendung für den Anwendungsfall geeignet ist.
- dass die persönliche Schutzausrüstung verfügbar ist.

### 3.5 Personalqualifikation



#### **WARNUNG!**

#### **Verletzungsgefahr bei unzureichender Qualifikation**

Unsachgemäßer Umgang kann zu erheblichen Personen- und Sachschäden führen.

- ▶ Die in dieser Betriebsanleitung beschriebenen Tätigkeiten nur durch Fachpersonal nachfolgend beschriebener Qualifikation durchführen lassen.

DE

#### **Fachpersonal**

Das vom Betreiber autorisierte Fachpersonal ist aufgrund seiner fachlichen Ausbildung, seiner Kenntnisse der Mess- und Regelungstechnik und seiner Erfahrungen sowie Kenntnis der landesspezifischen Vorschriften, geltenden Normen und Richtlinien in der Lage, die beschriebenen Arbeiten auszuführen und mögliche Gefahren selbstständig zu erkennen.

#### **Speziell beim Einsatz von SF<sub>6</sub>-Gas**

Der Betreiber muss sicherstellen, dass die Handhabung von SF<sub>6</sub>-Gas durch ein hierzu qualifiziertes Unternehmen oder von gemäß IEC 61634 Abschnitt 4.3.1 bzw. IEC 60480 Abschnitt 10.3.1 geschulten Mitarbeitern durchgeführt wird.

### 3.6 Persönliche Schutzausrüstung

Die persönliche Schutzausrüstung dient dazu, das Fachpersonal gegen Gefahren zu schützen, die dessen Sicherheit oder Gesundheit bei der Arbeit beeinträchtigen könnten. Beim Ausführen der verschiedenen Arbeiten an und mit dem Gerät muss das Fachpersonal persönliche Schutzausrüstung tragen.

#### **Im Arbeitsbereich angebrachte Hinweise zur persönlichen Schutzausrüstung befolgen!**

Die erforderliche persönliche Schutzausrüstung muss vom Betreiber zur Verfügung gestellt werden.



#### **Schutzbrille nach EN 166 Klasse 2, mechanische Festigkeit Klasse S**

Die Schutzbrille muss bei Arbeiten an Schläuchen oder Gasbehältern (z. B. Gaszylinder, Tanks) über die gesamte Dauer hinweg getragen werden. Die Schutzbrille schützt die Augen vor umherfliegenden Teilen, austretendem Gas und Flüssigkeitsspritzern.



#### **Schutzhandschuhe gegen Wärme nach EN ISO 13732-1 und gegen Kälte nach EN ISO 13732-3**

Die Schutzhandschuhe müssen bei Arbeiten an Schläuchen, Gasbehältern (z. B. Gaszylinder, Tanks) oder Teilen die sich auf über 60 °C erwärmen über die gesamte Dauer hinweg getragen werden.

### 3.7 Umgang mit Isoliergasen und Gasgemischen

SF<sub>6</sub>-Gas ist ein Treibhausgas, das im Kyoto-Protokoll gelistet ist. Das SF<sub>6</sub>-Gas darf nicht in die Atmosphäre gelangen, sondern muss in geeigneten Behältern gesammelt werden.

#### Eigenschaften von Isoliergasen

- Farb- und geruchlos
- Chemisch neutral
- Inert
- Nicht entflammbar
- Schwerer als Luft
- Keine Toxizität
- Nicht ozonschädigend

Detaillierte Angaben befinden sich in der IEC 60376 und IEC 61634.

#### Erstickungsgefahr durch Isoliergase und Gasgemische

Hohe Konzentrationen von Gasen können zur Erstickung führen, da beim Einatmen von Gas die Atemluft aus den Lungen verdrängt wird.

Da SF<sub>6</sub>-Gas schwerer ist als Luft, sammelt es sich insbesondere in Bodennähe oder tiefer gelegenen Räumen unterhalb des Bezugsniveaus an (z. B. Kellerräume). Dies ist besonders gefährlich, da SF<sub>6</sub>-Gas farb- und geruchlos ist und somit vom Menschen nicht wahrgenommen wird.

### 3.8 Gefährdung durch Zersetzungsprodukte

Isoliergas in elektrischen Anlagen kann durch Lichtbogeneinwirkung

Zersetzungsprodukte enthalten:

- Gasförmige Schwefelfluoride
- Schwefeloxyfluoride
- Feste staubförmige Metallfluoride, -sulfide und -oxide
- Fluorwasserstoff
- Schwefeldioxid

Zersetzungsprodukte können gesundheitsschädlich sein.

- Durch Einatmen, Verschlucken oder Hautberührung kann es zu einer Vergiftung kommen.
- Augen, Atmungsorgane oder die Haut kann gereizt und verätzt werden.
- Durch Einatmen größerer Mengen kann die Lunge geschädigt werden.

Folgende Sicherheitshinweise beachten, um Gefahren durch Isoliergas zu vermeiden:

- Persönliche Schutzausrüstung tragen.
- Das Sicherheitsdatenblatt des Gaslieferanten lesen.
- Bei großen Leckagen schnell den Ort verlassen.
- Für gute Belüftung sorgen.
- Dichtigkeit der Betriebsmittel mit Lecksuchgerät sicherstellen (z. B. Typ GIR-10).

## 3.9 Geltende Normen und Richtlinien, Installation, Errichtung, Inbetriebnahme:

- BGI 753 (SF<sub>6</sub>-Anlagen und Betriebsmittel in Deutschland)
- IEC 61634 (Handhabung von SF<sub>6</sub>-Gas)
- IEC 60376 (neues SF<sub>6</sub>-Gas, technisches SF<sub>6</sub>-Gas)
- IEC 60480 (gebrauchtes SF<sub>6</sub>-Gas)
- CIGRE report 276, 2005 (Practical SF<sub>6</sub> gas handling instructions)

DE

Leckagen während des Betriebs:

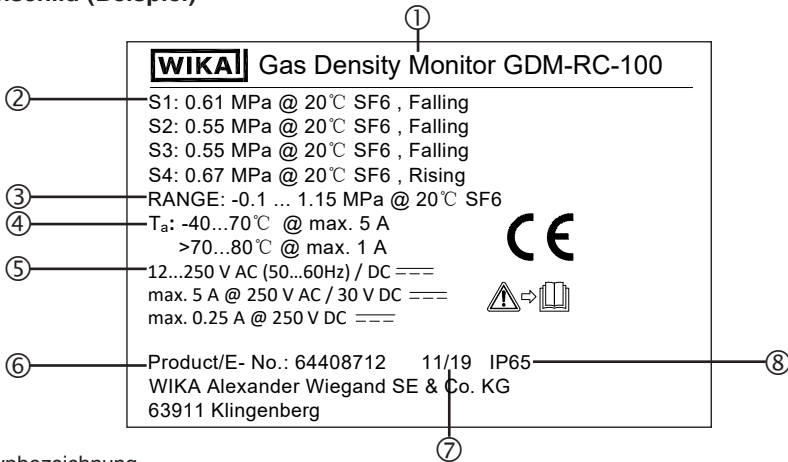
- IEC 60376 (neues SF<sub>6</sub>-Gas, technisches SF<sub>6</sub>-Gas)
- IEC 60480 (gebrauchtes SF<sub>6</sub>-Gas)
- CIGRE 2002 („SF<sub>6</sub> gas in the electrical industry“)



SF<sub>6</sub>-Gas ist farb- und geruchlos, chemisch neutral, inert, nicht entflammbar und etwa fünfmal schwerer als Luft, nicht toxisch und nicht ozonschädigend. Detaillierte Angaben befinden sich in der IEC 60376 und IEC 61634.

## 3.10 Beschilderung, Sicherheitskennzeichnungen

### Typenschild (Beispiel)



- ① Typbezeichnung
- ② Position und Anzahl der Schaltpunkte
- ③ Messbereich
- ④ Zulässige Umgebungstemperatur
- ⑤ Elektrische Kennwerte
- ⑥ Artikelnummer
- ⑦ Herstelldatum
- ⑧ IP-Klasse



Vor Montage und Inbetriebnahme des Gerätes unbedingt die Betriebsanleitung lesen!

### 4. Transport, Verpackung und Lagerung

#### 4.1 Transport

Gasdichtewächter auf eventuell vorhandene Transportschäden untersuchen.  
Offensichtliche Schäden unverzüglich mitteilen.



#### **VORSICHT!**

##### **Beschädigungen durch unsachgemäßen Transport**

Bei unsachgemäßem Transport können Sachschäden in erheblicher Höhe entstehen.

- ▶ Beim Abladen der Packstücke bei Anlieferung sowie innerbetrieblichem Transport vorsichtig vorgehen und die Symbole auf der Verpackung beachten.
- ▶ Bei innerbetrieblichem Transport die Hinweise unter Kapitel 5.2 „Verpackung und Lagerung“ beachten.

DE

#### 4.2 Verpackung und Lagerung

Verpackung erst unmittelbar vor der Montage entfernen.

Die Verpackung aufbewahren, denn diese bietet bei einem Transport einen optimalen Schutz (z. B. wechselnder Einbauort, Reparatursendung).



#### **WARNUNG!**

##### **Körperverletzungen, Sach- und Umweltschäden durch gefährliche Zersetzungsprodukte**

Vor der Einlagerung müssen alle anhaftenden Zersetzungsprodukte entfernt werden.

- ▶ Reinigung siehe Kapitel 7.2 „Reinigung“

#### **Zulässige Bedingungen am Lagerort:**

- Lagertemperatur (Basisprodukt): -50 ... +80 °C
- Feuchte: ≤ 95 % r. F. (nicht kondensierend)

#### **Folgende Einflüsse vermeiden:**

- Ruß, Dampf, Staub und korrosive Gase
- Explosionsgefährdete Umgebung, entzündliche Atmosphären

Das Gerät in der Originalverpackung an einem Ort lagern, der die oben gelisteten Bedingungen erfüllt. Wenn die Originalverpackung nicht vorhanden ist, dann das Gerät wie folgt verpacken und lagern:

1. Das Gerät mit dem Dämmmaterial in der Verpackung platzieren.
2. Bei längerer Einlagerung (mehr als 30 Tage) einen Beutel mit Trocknungsmittel der Verpackung beilegen.

### 5. Inbetriebnahme, Betrieb

#### 5.1 Mechanische Montage



**VORSICHT!**  
**Körperverletzungen, Sach- und Umweltschäden durch defektes Gerät**

Vor der Inbetriebnahme das Gerät optisch prüfen. Das Gerät nur in sicherheitstechnisch einwandfreiem Zustand einsetzen.

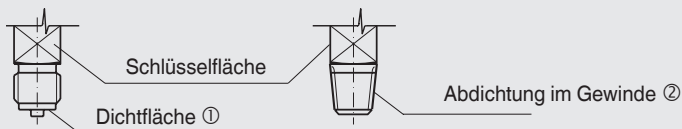
#### 5.1.1 Anforderungen an die Einbaustelle

- Bei Anwendungen im Freien ist ein für die angegebene Schutzart geeigneter Aufstellort zu wählen, damit das Gerät keinen unzulässigen Witterungseinflüssen ausgesetzt ist.
- Dichtflächen am Gerät und an der Messstelle müssen unbeschädigt und frei von Verschmutzungen sein.

#### 5.1.2 Installation

- Beim Transport oder der Lagerung kann es vorkommen, dass sich Gasdichtewächter erwärmen oder abkühlen und dies in Zeigerbewegungen resultiert. Diese Zeigerbewegungen werden durch das Kompensationssystem hervorgerufen. Um sicherzustellen, dass sich die Geräte ausreichend der Umgebungstemperatur angepasst haben, müssen sie min. 2 Std. bei 20 °C temperiert werden. Danach steht der Zeiger im drucklosen Zustand innerhalb des Toleranzbalkens.
- Entsprechend den allgemeinen technischen Regeln für Manometer (z.B. EN 837-2 „Auswahl und Einbauempfehlungen für Druckmessgeräte“) darf beim Einschrauben des Gerätes die dazu erforderliche Kraft nicht über das Gehäuse aufgebracht werden, sondern nur mit geeignetem Werkzeug über die dafür vorgesehene Schlüsselfläche.
- Beim Einschrauben die Gewindgänge nicht verkanten.

Für zylindrische Gewinde sind an der Dichtfläche ① Flachdichtungen, Dichtlinsen oder WIKA-Profilabdichtungen einzusetzen. Bei kegeligen Gewinden (z. B. NPT-Gewinde) erfolgt die Abdichtung im Gewinde ②, mit geeignetem Dichtungswerkstoff (EN 837-2). Das Anzugsdrehmoment ist von der eingesetzten Dichtung abhängig. Um das Messgerät in die Stellung zu bringen, in der es sich am besten ablesen lässt, ist ein Anschluss mit Spannmuffe oder Überwurfmutter zu empfehlen. Sofern ein Gerät eine Entlastungsöffnung besitzt, muss diese vor Blockierung durch Geräteteile oder Schmutz geschützt sein.



### 5.1.3 Temperaturbelastung

Die Anbringung des Gerätes ist so auszuführen, dass die zulässige Betriebstemperatur, auch unter Berücksichtigung des Einflusses von Konvektion und Wärmestrahlung, weder unterschritten noch überschritten wird.

Der Temperatureinfluss auf die Anzeige- bzw. Messgenauigkeit ist zu beachten.

## 5.2 Elektrischer Anschluss

### 5.2.1 Anschlussleitung

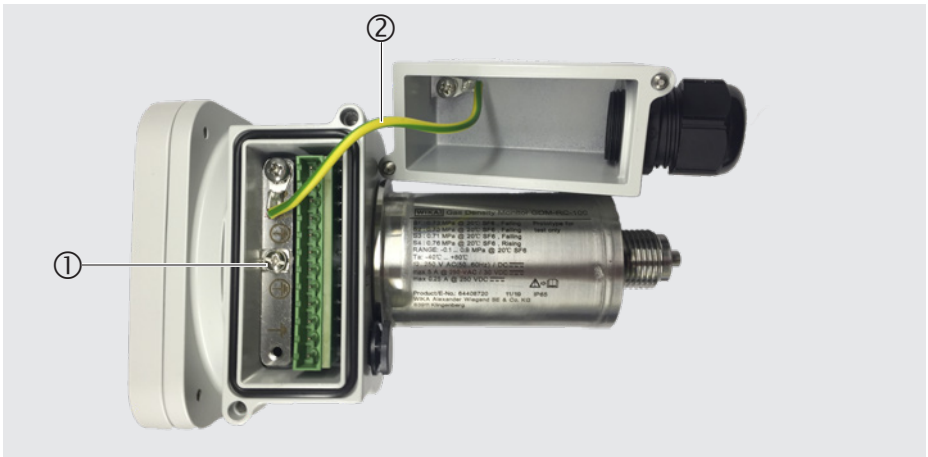
Bei der Auswahl der Anschlussleitung sind folgende Punkte zwingend zu beachten:

- Leitungsquerschnitt ist entsprechend des Laststromes/Überstromschutzorganes zu wählen.
- Dichtbereich der mitgelieferten Kabelverschraubung muss zum Leitungsdurchmesser passen.
- Der Temperaturbereich der Leitung muss mindestens dem Betriebstemperaturbereich des Gerätes entsprechen.

→ Technische Details siehe Kapitel 9 „Technische Daten“.

### 5.2.2 Erdung

- Das Hauptgerät über den Prozessanschluss erden.
- Der Schutzleiter des Anschlusskabels für die Schaltkontakte entsprechend der unten dargestellten Abbildung an der dafür vorgesehenen Klemme (1) befestigen.
- Die interne Schutzleiter-Verbindungsleitung (2) zwischen Hauptgerät und Kabeldosengegenstück niemals entfernen. Andernfalls ist die Betriebssicherheit nicht gewährleistet.



## 5. Inbetriebnahme, Betrieb

### 5.2.3 Anschlussklemmen und Adervorbereitungen

Die Anschlussklemmen sind für folgende Arten von Einzeladern bzw. Querschnitte geeignet:

Anschlussklemmen und Adervorbereitungen		
	Anschlussklemmen der Buchsenleiste	Anschlussklemme des Schutzleiters
Arten von Einzeladern	<ul style="list-style-type: none"><li>■ Massivdrahtader</li><li>■ Flexible Litze</li><li>■ Flexible Litze mit Aderendhülse</li></ul>	<ul style="list-style-type: none"><li>■ Massivdrahtader</li><li>■ Flexible Litze mit Aderendhülse</li></ul>
Aderlänge	≥ 90 mm	≥ 120 mm
Max. Länge des blanken Aderendes	Max. 5,5 mm	Max. 8 mm
Aderanzahl / Querschnitte	1 x 0,5 mm <sup>2</sup> bis 1 x 2,5 mm <sup>2</sup>	
Empfohlenes Anzugsdrehmoment	0,5 Nm	1,2 Nm

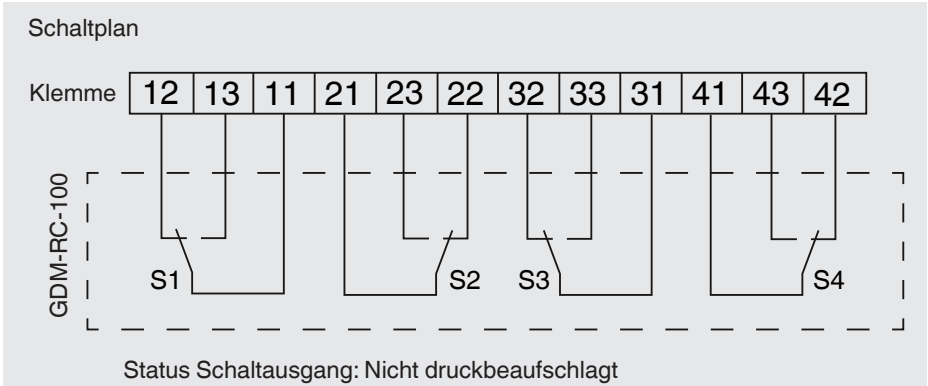
### 5.2.4 Schaltkontakte

- Die Position der Schaltpunkte sowie die Schaltfunktionen sind auf dem Typenschild angegeben.
- Auf dem Gegenstecker am Terminal ist die Belegung der einzelnen Schaltfunktionen auf einem Aufkleber gekennzeichnet:

Schaltplan	
Erste Ziffer	<ul style="list-style-type: none"><li>■ 1x – Schaltkontakt S1</li><li>■ 2x – Schaltkontakt S2</li><li>■ 3x – Schaltkontakt S3</li><li>■ 4x – Schaltkontakt S4</li></ul>
Zweite Ziffer	<ul style="list-style-type: none"><li>■ x1 – Common</li><li>■ x2 – Normally Closed</li><li>■ x3 – Normally Open</li></ul>

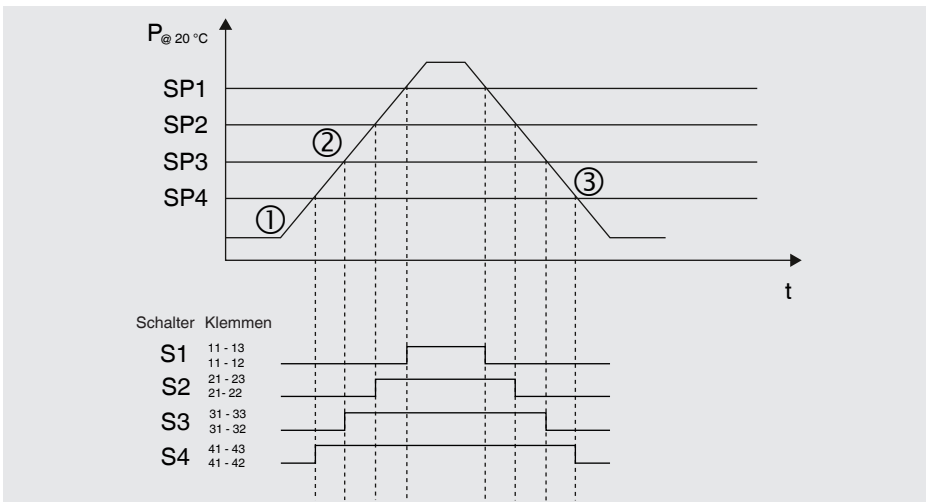


## Schaltplan



DE

Schematische Darstellung des Schaltverhaltens mit ansteigendem bzw. fallender Gasdichte über Zeit:



Die tatsächliche Reihenfolge der Schaltpunkte ist kundenspezifisch.

Ist der Gasdichtewächter nicht druckbeaufschlagt, sind alle Kontakte mechanisch unbetätigt.

Vierter Schaltpunkt: Pin 41 ist mit Pin 42 verbunden (1).

Wird der Gasdichtewächter druckbeaufschlagt und der Schaltpunkt überfahren, schaltet der Schaltkontakt von Pin 41-42 auf Pin 41-43 um.

## 5. Inbetriebnahme, Betrieb

Erst bei Unterschreiten der Schaltschwelle schaltet der Schaltkontakt von Pin 41-43 wieder auf Pin 41-42 um.

Bis zu vier Schaltkontakte ermöglichen das vollständige Abdecken aller gewünschten Schaltfunktionen. Es kann je nach Applikationsanforderung fallend schließend, fallend öffnend, steigend öffnend oder steigend schließend geschaltet werden.

Die Schaltkontakte werden entweder für fallende oder steigende Dichte justiert.

DE



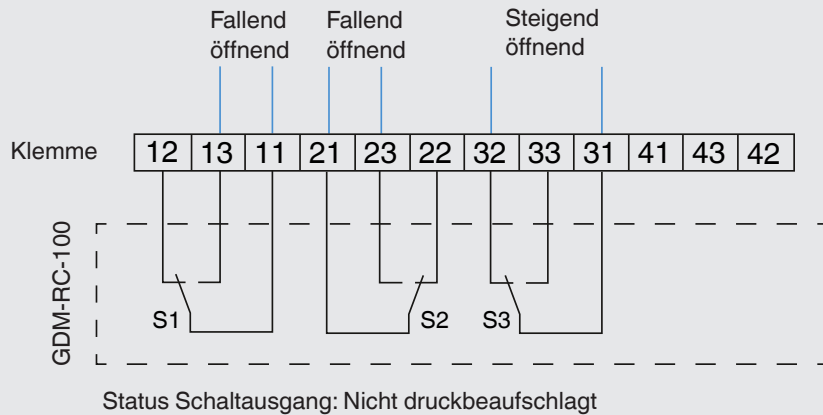
Es wird empfohlen, immer nur in der ab Werk justierten Schaltrichtung zu schalten, da ansonsten die Schalthysterese des Schaltkontaktes mitberücksichtigt werden muss.

→ Genaue Angaben zur Hysterese siehe Datenblatt SP 60.27

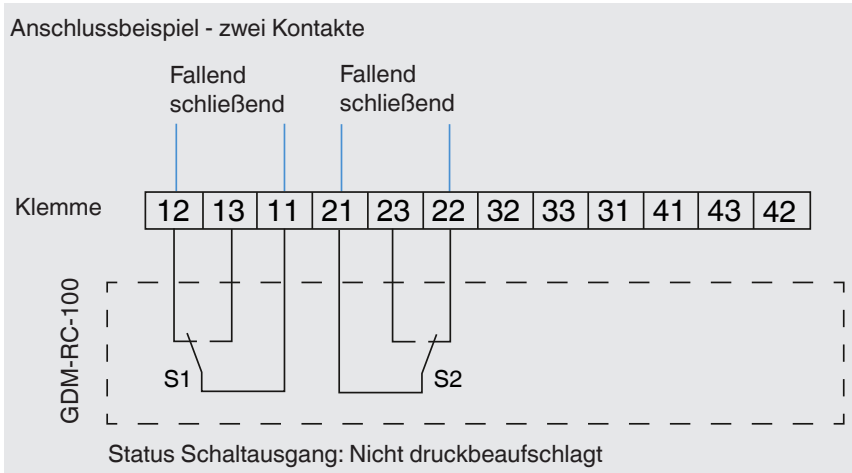
### Beispiele zur möglichen Schaltfunktion in der Applikation

1. Beispiel mit drei Kontakten als Öffner: Kontakt 1 und 2 sollen beim Unterschreiten öffnen, Kontakt 3 soll beim Überschreiten öffnen:

Anschlussbeispiel - drei Kontakte



2. Beispiel mit zwei Kontakten als Schließer: Kontakt 1 und 2 sollen beim Unterschreiten schließen:



### 5.2.5 Kabeldose verschließen

- Sicherstellen, dass keine Feuchte in das Kabelende eindringen kann.
- Darauf achten, dass die Kabelverschraubung des montierten Gehäusedeckels zum Durchmesser der verwendeten Leitung passt und dass die Kabelverschraubung korrekt sitzt.
- Darauf achten, dass die Dichtungen vorhanden und nicht beschädigt sind.
- Die Kabelverschraubung mit dem in den Technischen Daten (→ siehe Kapitel 9 „Technische Daten“) spezifizierten Drehmoment festziehen und den korrekten Sitz der Dichtungen überprüfen, um die Schutzart zu gewährleisten.

### 5.2.6 Grenzwerte für die Kontaktbelastung bei ohmscher Belastung

Die Grenzwerte nicht überschreiten.

Bei niedrigen Spannungen (12 V) darf der Schaltstrom aus Gründen der Schaltsicherheit nicht kleiner als 10 mA sein.

### Überstrom-Schutzeinrichtungen

In den Geräten sind keine Überstrom-Schutzeinrichtungen eingebaut. Daher sind anlagenseitig Überstrom-Schutzeinrichtungen mit folgenden Nennwerten zu verwenden:

- Max. 5 A (bei  $T_a$ : -40 ... +70 °C)
- Max. 1 A (bei  $T_a$ : > 70 ... 80 °C)



Werden Überstromschutzeinrichtungen nach EN 60127-2 oder gleichwertig verwendet sind dies mit hohem Ausschaltvermögen (z.B. H1500A) auszuwählen.

## 5.2.7 Kontaktschutzmaßnahmen

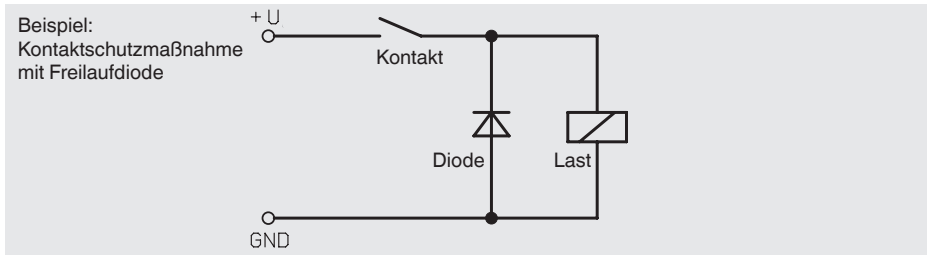
Mechanische Kontakte dürfen die angegebenen elektrischen Werte für Schaltstrom, Schaltspannung und Schaltleistung unabhängig voneinander, auch kurzzeitig, nicht überschreiten.

Für kapazitive oder induktive Lasten wird eine der folgenden Schutzbeschaltungen empfohlen:

DE

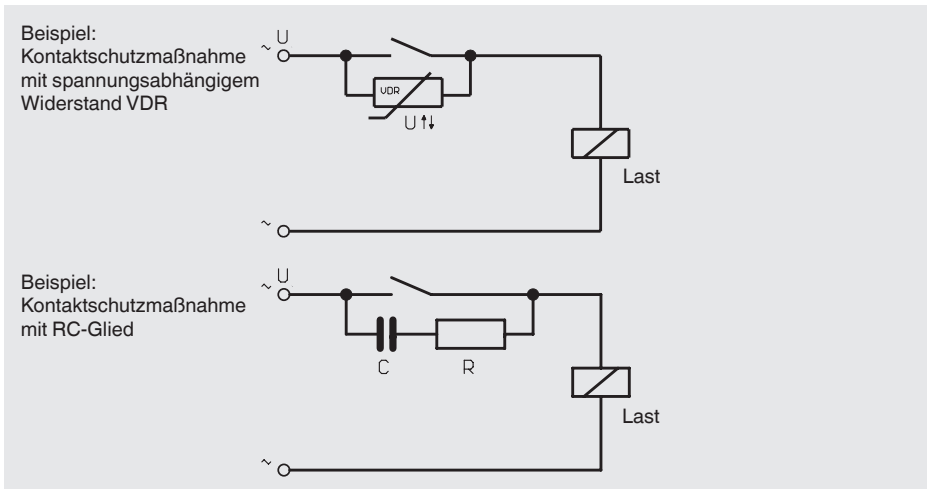
### Induktive Last bei Gleichspannung

Bei Gleichspannung kann der Kontaktschutz durch eine parallel zur Last geschalteten Freilaufdiode erzielt werden. Die Polung der Diode muss so erfolgen, dass sie bei angelegter Betriebsspannung sperrt.



### Induktive Last bei Wechselspannung

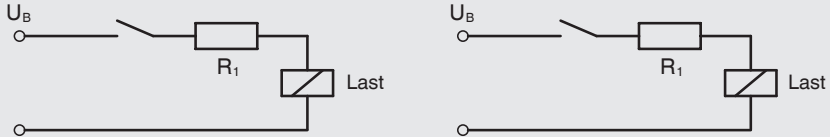
Bei Wechselspannung gibt es zwei mögliche Schutzmaßnahmen:



### Kapazitive Last

Bei kapazitiven Lasten treten erhöhte Einschaltströme auf. Diese können durch Reihenschalten von Widerständen in der Zuleitung verringert werden.

Beispiele: Kontaktschutzmaßnahme mit Widerstand zur Strombegrenzung



DE

### 5.3 Schaltpunkteinstellung

Die Schaltpunkte sind standardmäßig fest eingestellt und können nicht verstellt werden. Somit ist ein ungewolltes Verstellen der Schaltpunkte ausgeschlossen.

## 6. Störungen



### VORSICHT!

#### Körperverletzungen, Sach- und Umweltschäden

Können Störungen mit Hilfe der aufgeführten Maßnahmen nicht beseitigt werden, Gasdichtewächter unverzüglich außer Betrieb setzen.

- ▶ Sicherstellen, dass kein Druck bzw. Signal mehr anliegt und gegen versehentliche Inbetriebnahme schützen.
- ▶ Kontakt mit dem Hersteller aufnehmen.
- ▶ Bei notwendiger Rücksendung die Hinweise unter Kapitel 9.2 „Rücksendung“ beachten.

DE



Kontaktaten siehe Kapitel 1 „Allgemeines“ oder Rückseite der Betriebsanleitung.

Störungen	Ursachen	Maßnahmen
<b>Kontakt schaltet nicht mehr gemäß Spezifikation.</b>	Elektrische Verbindung ist unterbrochen.	Durchgangsprüfung der elektrischen Verbindungsleitungen durchführen.
	Elektrische Last für den Schaltkontakt-Typ ungeeignet.	Zulässige elektrische Lasten des Schaltkontakt-Typs einhalten.
	Kontakt verunreinigt.	
<b>Schaltzustand bleibt trotz Erreichen des Schaltpunktes/ Rückschaltpunktes unverändert.</b>	Kontakte defekt (z. B. Kontaktzone verschmolzen).	Gerät austauschen. Vor erneuter Inbetriebnahme des neuen Gerätes Schutzbeschaltung für den Kontakt vorsehen.
<b>Keine Zeigerbewegung trotz Druckänderung.</b>	Messwerk blockiert.	Gerät austauschen.
<b>Zeigerbewegung obwohl drucklos.</b>	Erwärmung oder Abkühlung des Messgerätes (keine Störung)	Gerät 2 Stunden bei 20 °C temperieren.

Bei Reklamationen sind die Fertigungs- und Erzeugnisnummern anzugeben. Die Fertigungsnummer ist auf dem Ziffernblatt angebracht, die Erzeugnisnummer auf dem Typenschild. Bei Reklamationen ist stets der Luftdruck und die Temperatur während der Messung anzugeben, ebenso die Daten des Vergleichsnormals (Typ, Klasse).

### 7. Wartung, Reinigung und Rekalibrierung

#### 7.1 Wartung

Diese Gasdichtewächter sind wartungsfrei.

Eine Überprüfung der Anzeige und der Schaltfunktion sollte etwa 1- bis 2-mal pro Jahr erfolgen. Dazu ist das Gerät vom Gasraum zu trennen und mit einer Druckprüfvorrichtung zu kontrollieren (z. B. WIKA BCS-10).

Reparaturen sind ausschließlich vom Hersteller durchzuführen.

Die Geräte dürfen nicht geöffnet werden, da dadurch Anzeige- und Schaltpunktfehler entstehen.

#### 7.2 Reinigung



##### **VORSICHT!**

##### **Körperverletzungen, Sach- und Umweltschäden**

Eine unsachgemäße Reinigung führt zu Körperverletzungen, Sach- und Umweltschäden. Messstoffreste im ausgebauten Gerät können zur Gefährdung von Personen, Umwelt und Einrichtung führen.

► Reinigungsvorgang wie folgt beschrieben durchführen.

1. Vor der Reinigung das Gerät ordnungsgemäß von der Druckversorgung trennen, ausschalten und vom Netz trennen.
2. Notwendige Schutzausrüstung verwenden.
3. Das Gerät mit einem feuchten Tuch reinigen.  
Elektrische Anschlüsse nicht mit Feuchte in Berührung bringen!



##### **VORSICHT!**

##### **Beschädigung des Gerätes**

Eine unsachgemäße Reinigung führt zur Beschädigung des Gerätes!

- Keine aggressiven Reinigungsmittel verwenden.
- Keine harten und spitzen Gegenstände zur Reinigung verwenden.

4. Ausgebautes Gerät spülen bzw. säubern, um Personen und Umwelt vor Gefährdung durch anhaftende Messstoffreste zu schützen.



Hinweise zur Rücksendung befinden sich in der Rubrik „Service“ auf unserer lokalen Internetseite.

### 7.3 Kalibrierung

Der Gasdichtewächter kann über ein spezielles Kalibriersystem für Gasdichtemessgeräte (z. B. WIKA BCS-10) kalibriert werden.

Der Gasdichtewächter mit Prüfanschluss und Absperrventil kann über das Absperrventil vom Gasraum getrennt werden, ohne den Gasdichtewächter demontieren zu müssen.

Bei Gasdichtewächtern, die nicht über einen Prüfanschluss und Absperrventil verfügen, muss der Gasdichtewächter fachgerecht demontiert werden. Hierbei kann es nötig sein, die gesamte Anlage vorübergehend außer Betrieb zu nehmen.

DE

#### Kalibrierung von Gasdichtewächter mit Prüfanschluss und Absperrventil (am Beispiel des Typ GDM-100-CV)



#### VORSICHT!

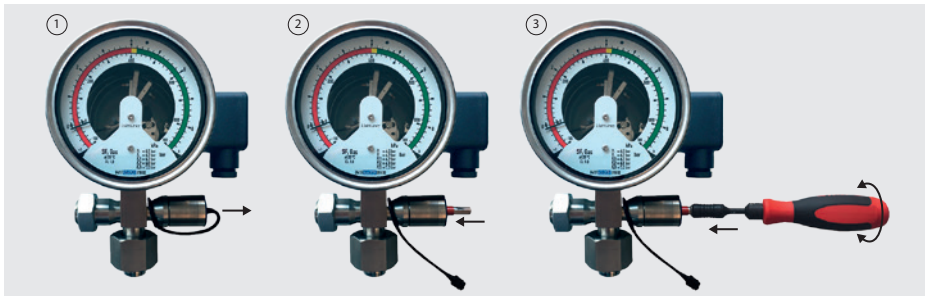
#### Unterbrechung der Überwachungsfunktion

Während der Kalibrierung ist der Gasdichtewächter vom zu überwachenden Gasraum getrennt. Im Falle einer Leckage kann kein Alarm ausgegeben werden.

- ▶ Nach der Kalibrierung das Absperrventil wieder öffnen.

Anzugsdrehmoment Absperrventil: 1,2 Nm  $\pm$ 10 %

Anzugsdrehmoment Prüfanschluss: 60 Nm  $\pm$ 10 %



1. Stopfen von Ventileinstellung ziehen (1).
2. Steckschlüsseinsatz in Ventileinstellung stecken (2).
3. Ventileinstellung mit Hilfe des Steckschlüssels auf Position „CLOSE“ drehen (3).
  - Steckschlüsseinsatz lässt sich nicht mehr herausziehen.
  - Gasdichtewächter ist vom Gasraum getrennt.
4. Prüfgas und Prüfnorm mit Prüfanschluss verbinden.
5. Kalibrierung vornehmen.
6. Prüfgas und Prüfnorm vom Prüfanschluss trennen.
7. Ventileinstellung mit Hilfe des Steckschlüssels auf Position „OPEN“ drehen (3).
  - Steckschlüsseinsatz lässt sich wieder herausziehen.
  - Gasdichtewächter ist mit Gasraum verbunden.



### 8. Demontage, Rücksendung und Entsorgung

#### 8.1 Demontage



##### **WARNUNG!**

##### **Körperverletzungen, Sach- und Umweltschäden durch gefährliche Zersetzungsprodukte**

Bei Kontakt mit gefährlichen Zersetzungsprodukten besteht die Gefahr von Körperverletzungen, Sach- und Umweltschäden.

- ▶ Notwendige Schutzausrüstung tragen (siehe Kapitel 3.6 „Persönliche Schutzausrüstung“).

DE

#### 8.2 Rücksendung

##### **Beim Versand des Gerätes unbedingt beachten:**

Alle an WIKA gelieferten Geräte müssen frei von Gefahrstoffen (Säuren, Laugen, Lösungen, etc.) sein und sind daher vor der Rücksendung zu reinigen.

Zur Rücksendung des Gerätes die Originalverpackung oder eine geeignete Transportverpackung verwenden.

##### **Um Schäden zu vermeiden:**

1. Das Gerät mit dem Dämmmaterial in der Verpackung platzieren.  
Zu allen Seiten der Transportverpackung gleichmäßig dämmen.
3. Wenn möglich einen Beutel mit Trocknungsmittel der Verpackung beifügen.



Hinweise zur Rücksendung befinden sich in der Rubrik „Service“ auf unserer lokalen Internetseite.

#### 8.3 Entsorgung

Durch falsche Entsorgung können Gefahren für die Umwelt entstehen.

Gerätekomponenten und Verpackungsmaterialien entsprechend den landesspezifischen Abfallbehandlungs- und Entsorgungsvorschriften umweltgerecht entsorgen.



Nicht mit dem Hausmüll entsorgen. Für eine geordnete Entsorgung gemäß nationaler Vorgaben sorgen.

## 9. Technische Daten

Allgemein	
Messprinzip	Referenzgasmessung
Messbereich	<ul style="list-style-type: none"> <li>■ 0 ... 10 bar abs. bei 20 °C SF<sub>6</sub>-Gas</li> <li>■ 0 ... 12,5 bar abs. bei 20 °C SF<sub>6</sub>-Gas</li> </ul>
Nenngröße der optischen Anzeige	100 mm
Selbstindikation bei Fehlverhalten	Im Gerät integriert, erster Schaltkontakt wird bei Leckage der Referenzkammer betätigt
Typenschild	Aufgelasert auf Referenzkammer, höchste Witterungsbeständigkeit
Zubehör	Siehe Typ GLTC-CV

Genauigkeit	
<b>Schaltgenauigkeit</b>	
-1 ... +5 bar bei 20 °C	<ul style="list-style-type: none"> <li>■ ±70 mbar am Eichdruck bei 20 °C, Gasphase</li> <li>■ ±100 mbar am Eichdruck bei -30 ... +50 °C, Gasphase</li> </ul>
-1 ... +9 bar bei 20 °C	<ul style="list-style-type: none"> <li>■ ±100 mbar am Eichdruck bei 20 °C, Gasphase</li> <li>■ ±150 mbar am Eichdruck bei -30 ... +50 °C, Gasphase</li> </ul>
-1 ... +11,5 bar bei 20 °C	<ul style="list-style-type: none"> <li>■ ±150 mbar am Eichdruck bei 20 °C, Gasphase</li> <li>■ ±200 mbar am Eichdruck bei -30 ... +50 °C, Gasphase</li> </ul>
<b>Anzeige­genauigkeit auf bezifferter Skala</b>	
-1 ... +5 bar bei 20 °C	<ul style="list-style-type: none"> <li>■ ±70 mbar am Eichdruck bei 20 °C, Gasphase</li> <li>■ ±100 mbar am Eichdruck bei -30 ... +50 °C, Gasphase</li> </ul>
-1 ... +9 bar bei 20 °C	<ul style="list-style-type: none"> <li>■ ±100 mbar am Eichdruck bei 20 °C, Gasphase</li> <li>■ ±150 mbar am Eichdruck bei -30 ... +50 °C, Gasphase</li> </ul>
-1 ... +11,5 bar bei 20 °C	<ul style="list-style-type: none"> <li>■ ±150 mbar am Eichdruck bei 20 °C, Gasphase</li> <li>■ ±200 mbar am Eichdruck bei -30 ... +50 °C, Gasphase</li> </ul>
	Eichdruck nach Referenzisochore, erstellt von Prof. Bier

# 9. Technische Daten

DE

Zifferblatt	
<b>Anzeigebereich auf Ziffernblatt</b>	<ul style="list-style-type: none"> <li>■ Messbereichsende: 1,3 bar oberhalb des ersten Schaltpunktes unterhalb des Fülldruckes</li> <li>■ Bezifferung: Endet 900 mbar oberhalb des ersten Schaltpunktes unterhalb des Fülldruckes</li> </ul> <p>Vergößerter Messbereich (minimal 4 bar unterhalb und 1,3 bar oberhalb des ersten Schaltpunktes)</p>
<b>Skala</b>	<ul style="list-style-type: none"> <li>■ Einfachskala (farblich unterteilt)</li> <li>■ Doppelskala (farblich unterteilt)</li> <li>■ Dreifachskala (farblich unterteilt)</li> </ul>
<b>Werkstoff</b>	Aluminium

Schaltkontakte			
<b>Schaltertyp</b>	Potentialfreie Wechsler		
<b>Elektrischer Anschluss</b>			
Elektrischer Anschluss	12 Pin TTI Steckterminal		
Aderquerschnitt	<ul style="list-style-type: none"> <li>■ min. 0,25 mm<sup>2</sup></li> <li>■ max. 2,5 mm<sup>2</sup></li> </ul>		
Erdung	Erdung in Kabeldose vorhanden		
<b>Anzahl</b>	<ul style="list-style-type: none"> <li>■ 1 Schaltkontakt</li> <li>■ 2 Schaltkontakte</li> <li>■ 3 Schaltkontakte</li> <li>■ 4 Schaltkontakte</li> </ul> <p>Bis zu 4 Schaltkontakte als Wechsler möglich</p>		
<b>Schalrichtungen</b>	<ul style="list-style-type: none"> <li>■ Fallende Dichte</li> <li>■ Steigende Dichte</li> </ul>		
<b>Schaltpunkte</b>	Nach Kundenspezifikation, maximale Differenz von niedrigstem zu höchstem Kontakt: 4 bar		
<b>Elektrische Kennwerte</b>	<b>Schaltspannung</b>	<b>Ohmsche Last A</b>	<b>Induktive Last A</b>
	≤ DC 30 V	5 <sup>1)</sup>	3 <sup>1)</sup>
	≤ DC 50 V	1	1
	≤ DC 75 V	0,75	0,75
	≤ DC 125 V	0,5	0,03
	≤ DC 250 V	0,25	0,03
	≤ AC 125 V	5 <sup>1)</sup>	2 <sup>1)</sup>
	≤ AC 250 V	5 <sup>1)</sup>	2 <sup>1)</sup>

14385258.02 06/2020 EN/DE/FR/ES

## 9. Technische Daten

### Schaltkontakte

<b>Minimale Schaltspannung und Strom</b>	12 V, 10 mA	
<b>Eichdruck</b>	Erster Schaltpunkt unterhalb des Fülldruckes	
<b>Schaltfunktion</b>	Wechsler	
<b>Stromkreise</b>	Galvanisch getrennt	
<b>Maximale Schaltspiele</b>	10.000 mechanisch und elektrisch	
<b>Isolationswiderstand Kontakt</b>	> 100 MOhm	
<b>Schalthysterese</b>	<b>Messbereich</b>	<b>Höhe der Hysterese</b>
	-1 ... +5 bar bei 20 °C	Typisch < 90 mbar <sup>2)</sup>
	-1 ... +7,5 bar bei 20 °C	Typisch < 150 mbar <sup>2)</sup>
	-1 ... +11,5 bar bei 20 °C	Typisch < 220 mbar <sup>2)</sup>
	Geringere Schalthysterese auf Anfrage	

1) Nur bis 70 °C Umgebungstemperatur.

Bei 70 ... 80 °C Umgebungstemperatur dürfen die Kontakte mit maximal 1 A betrieben werden.

2) Nach BS 6134:1991, Druckänderungsgeschwindigkeit 1 % vom Endwert pro Sekunde.

### Zulässige Umgebungsbedingungen

#### Zulässige Umgebungstemperatur

<b>Betriebstemperatur</b>	-40 ... +80 °C [-40 ... +176 °F], Gasphase
<b>Lagertemperatur</b>	-50 ... +80 °C [-58 ... 176 °F]
<b>Schutzart</b>	IP65, IP67
<b>Zulässige Luftfeuchte</b>	≤ 95 % r. F. (nicht kondensierend) Ausgleichsmembrane gegen Betauung
<b>Schockfestigkeit</b>	<ul style="list-style-type: none"> <li>■ 50 g/11 ms kein Kontaktprellen mit 200 mbar Abstand zum Schaltpunkt</li> <li>■ 150 g ohne Beschädigung in allen Achsen und Richtungen</li> </ul>
<b>Vibrationsbeständigkeit</b>	<ul style="list-style-type: none"> <li>■ 4 g bei 50 mbar Abstand zum Schaltpunkt, kein Kontaktprellen (20 ... 100 Hz)</li> </ul>

## 9. Technische Daten

### EMV-Prüfungen

<b>Durchschlagsfestigkeit</b>	<ul style="list-style-type: none"><li>■ 2 kV Pin auf Erdung (Gehäuse)</li><li>■ 2 kV Pin auf Pin (Schaltkontakt auf Schaltkontakt)</li><li>■ 1 kV Pin auf Pin innerhalb der Schaltkontakte – 1 Minute</li></ul>
<b>Blitzschlag</b>	7 kV x 1,2/50 µs

### Dichtheit

<b>Prozessanschluss</b>	$\leq 1 \times 10^{-8}$ mbar x l/s
<b>Faltenbalg</b>	$\leq 1 \times 10^{-8}$ mbar x l/s

### Werkstoffe

#### Werkstoffe messstoffberührt

Referenzkammer (Messglied)	CrNi-Stahl, Füllung mit Referenzgas
Prozessanschluss	G ½ B nach EN 837, axial oder radial, CrNi-Stahl, Schlüsselfläche 22 mm Weitere Anschlüsse und Anschlusslagen auf Anfrage

#### Werkstoffe nicht-messstoffberührt

Gehäuse und Deckel	Alu-Druckguss, pulverbeschichtet
Kabelverschraubung M25 x 1,5	Kunststoff, Dichtbereich 5 ... 13 mm; (optional 8 ... 17 mm) Anzugsdrehmoment: 8 Nm
Messwerk	Messing
Zeiger	Aluminium, schwarz
Sichtscheibe	Mehrschichten-Sicherheitsglas
Zifferblatt	Aluminium

#### Maximalbelastung

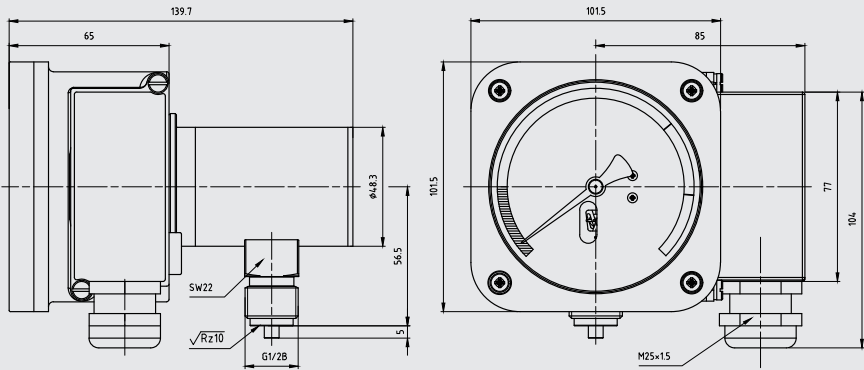
Minimale Berstfestigkeit	> 36 bar
Maximaler Überdruck	1,43-fach des Messbereiches
Gewicht	< 1.250 g

DE

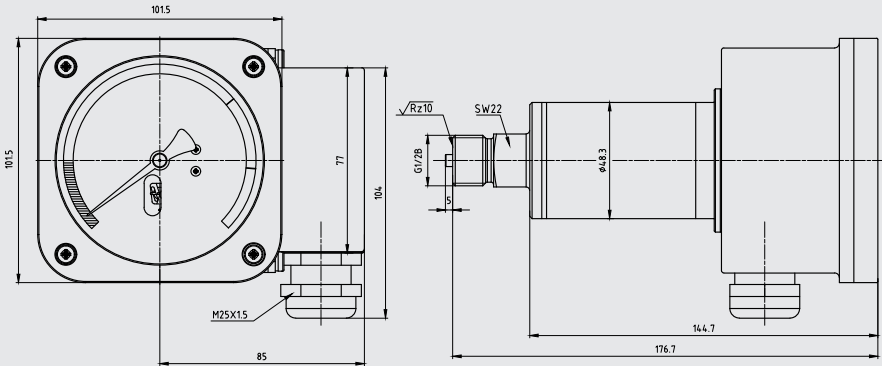
Weitere technische Daten siehe WIKA-Datenblatt SP 60.27 und Bestellunterlagen.

## Abmessungen in mm

### Vertikale Ausführung



### Rückseitige Ausführung



DE

# Sommaire

<b>1. Généralités</b>	<b>56</b>
<b>2. Conception et fonction</b>	<b>57</b>
<b>3. Sécurité</b>	<b>58</b>
<b>4. Transport, emballage et stockage</b>	<b>64</b>
<b>5. Mise en service, utilisation</b>	<b>65</b>
<b>6. Dysfonctionnements</b>	<b>73</b>
<b>7. Entretien, nettoyage et réétalonnage</b>	<b>74</b>
<b>8. Démontage, retour et mise au rebut</b>	<b>76</b>
<b>9. Spécifications</b>	<b>77</b>

Déclarations de conformité disponibles sur [www.wika.fr](http://www.wika.fr).

## 1. Généralités

- Le densimètre pour gaz décrit dans le mode d'emploi est conçu et fabriqué selon les dernières technologies en vigueur. Tous les composants sont soumis à des exigences environnementales et de qualité strictes durant la fabrication. Nos systèmes de gestion sont certifiés selon ISO 9001 et ISO 14001.
- Ce mode d'emploi donne des indications importantes concernant l'utilisation de l'instrument. Il est possible de travailler en toute sécurité avec ce produit en respectant toutes les consignes de sécurité et d'utilisation.
- Respecter les prescriptions locales de prévention contre les accidents et les prescriptions générales de sécurité en vigueur pour le domaine d'application de l'instrument.
- Le mode d'emploi fait partie de l'instrument et doit être conservé à proximité immédiate de l'instrument et accessible à tout moment pour le personnel qualifié. Confier le mode d'emploi à l'utilisateur ou propriétaire ultérieur de l'instrument.
- Le personnel qualifié doit, avant de commencer toute opération, avoir lu soigneusement et compris le mode d'emploi.
- Les conditions générales de vente mentionnées dans les documents de vente s'appliquent.
- Sous réserve de modifications techniques.
- Pour obtenir d'autres informations :
  - Consulter notre site Internet : [www.wika.de](http://www.wika.de) / [www.wika.com](http://www.wika.com)
  - Fiche technique correspondante : SP 60,27
  - Conseiller applications : Tél. : +33 1 787049-46  
Fax : 0 891 035 891 (0,35 €/mn)  
[info@wika.fr](mailto:info@wika.fr)



### 2. Conception et fonction

#### 2.1 Vue générale



FR

- ① Raccordement électrique, prise de câble
- ② Plaque signalétique gravée au laser
- ③ Raccord process

#### 2.2 Description

Les microrupteurs intégrés dans le densimètre agissent comme contacts inverseurs et commutent si les valeurs de pression limites compensées ont été réglées. Les microrupteurs sont actionnés par un système de soufflet intégré dans l'instrument lors que la valeur de densité de gaz baisse ou monte.

#### 2.3 Détail de la livraison

Comparer le détail de la livraison avec le bordereau de livraison.

### 3. Sécurité

#### 3.1 Explication des symboles



##### **AVERTISSEMENT !**

... indique une situation présentant des risques susceptibles de provoquer la mort ou des blessures graves si elle n'est pas évitée.



##### **ATTENTION !**

... indique une situation potentiellement dangereuse et susceptible de provoquer de légères blessures ou des dommages matériels et pour l'environnement si elle n'est pas évitée.



##### **Information**

... met en exergue des conseils et recommandations utiles de même que des informations permettant d'assurer un fonctionnement efficace et normal.

#### 3.2 Utilisation conforme à l'usage prévu

L'usage prévu du modèle GDM-RC-100 est de surveiller la densité de gaz isolants. Le densimètre GDM-RC-100 peut être utilisé partout où la densité de gaz SF<sub>6</sub> doit être affichée localement et où il est nécessaire en même temps de commuter des circuits électriques.

Les densimètres sont des instruments de mesure de pression modifiés munis de contacts électriques développés spécialement pour l'utilisation du gaz SF<sub>6</sub> et d'autres gaz isolants. Les influences de la température sur le gaz confiné sont compensées par un système de compensation.

Les densimètres sont conçus spécialement pour les applications concernées liées aux disjoncteurs (gaz SF<sub>6</sub> pur, mélanges de gaz, pression d'étalonnage, points de seuil ...). Avant l'utilisation, vérifier si cet instrument est adapté à l'application prévue.

Conformément à la norme EN 61010-1:2010, les valeurs d'isolement (distances d'isolement dans l'air et lignes de fuite) doivent permettre une utilisation dans les conditions ambiantes suivantes :

- Altitude jusqu'à 2.000 m
- Catégorie de surtension II
- Niveau de colmatage 2
- Humidité relative : 0 ... 95 % sans condensation (selon DIN 40040)

Utiliser l'instrument uniquement dans des applications qui se trouvent dans les limites de ses performances techniques (par exemple température ambiante maximale, compatibilité de matériau, ...).

→ Pour les limites de performance voir chapitre 9 "Specifications".

L'instrument ne doit pas être utilisé en zones explosives !

L'instrument est conçu et construit exclusivement pour une utilisation conforme à l'usage prévu décrit ici et ne doit être utilisé qu'en conséquence.

Les spécifications techniques mentionnées dans ce mode d'emploi doivent être respectées. En cas d'utilisation non conforme ou de fonctionnement de l'instrument en dehors des spécifications techniques, un arrêt et contrôle doivent être immédiatement effectués par un collaborateur autorisé du service de WIKA.

Aucune réclamation ne peut être recevable en cas d'utilisation non conforme à l'usage prévu.

### 3.3 Utilisation inappropriée



#### **AVERTISSEMENT !**

#### **Blessures à cause d'une utilisation inappropriée**

Une utilisation inappropriée peut conduire à des situations dangereuses et à des blessures.

- ▶ S'abstenir de modifications non autorisées sur l'instrument
- ▶ Ne pas ouvrir l'instrument tant qu'il est sous tension.
- ▶ Ne pas utiliser l'instrument en zone explosive.

L'instrument ne doit pas être soumis à une quelconque contrainte extérieure (par exemple être utilisé comme aide pour grimper, comme support pour des objets).

Toute utilisation différente ou au-delà de l'utilisation prévue est considérée comme inappropriée.

### 3.4 Responsabilité de l'opérateur

L'instrument est prévu pour un usage dans le domaine industriel. L'opérateur est de ce fait responsable des obligations légales en matière de sécurité du travail.

Les instructions de sécurité de ce mode d'emploi comme les réglementations liées à la sécurité, à la prévention de accidents et à la protection de l'environnement pour la zone d'application doivent être respectées.

L'opérateur doit s'assurer que l'étiquette du produit reste lisible.

Afin de travailler en toute sécurité sur l'instrument, la société exploitante doit s'assurer

- qu'un équipement de premier secours adapté est disponible et que les premiers soins peuvent être dispensés sur place à tout moment en cas de besoin.
- que le personnel de service soit formé à intervalles réguliers sur tous les sujets concernant la sécurité du travail, les premiers secours et la protection de l'environnement et qu'il connaît le mode d'emploi et particulièrement les consignes de sécurité contenues dans celui-ci.
- que l'instrument est adapté à l'application en respect de l'usage prévu de l'instrument.
- qu'un équipement de protection individuelle est disponible.

### 3.5 Qualification du personnel



#### **AVERTISSEMENT !**

#### **Danger de blessure en cas de qualification insuffisante**

Une utilisation non conforme peut entraîner d'importants dommages corporels et matériels.

- ▶ Les opérations décrites dans ce mode d'emploi ne doivent être effectuées que par un personnel ayant la qualification décrite ci-après.

FR

#### **Personnel qualifié**

Le personnel qualifié, autorisé par l'opérateur, est, en raison de sa formation spécialisée, de ses connaissances dans le domaine de l'instrumentation de mesure et de régulation et de son expérience, de même que de sa connaissance des réglementations nationales et des normes en vigueur, en mesure d'effectuer les travaux décrits et d'identifier de façon autonome les dangers potentiels.

#### **En particulier lors de l'utilisation de gaz SF<sub>6</sub>**

L'opérateur des installations doit s'assurer que la manipulation du gaz SF<sub>6</sub> est effectuée seulement par une entreprise qualifiée ou par du personnel qualifié ayant suivi une formation spéciale conformément à la norme CEI 61634, section 4.3.1 ou CEI 60480, section 10.3.1.

### 3.6 Equipement de protection individuelle

L'équipement de protection individuelle sert à protéger le personnel qualifié contre les dangers pouvant entraver la sécurité et la santé de ce dernier durant le travail. Le personnel qualifié doit porter l'équipement de protection individuelle lors de l'exécution des différents travaux sur et avec l'instrument.

#### **Respecter les indications concernant l'équipement de protection individuelle dans la zone de travail !**

L'équipement de protection individuelle requis doit être mis à disposition par l'utilisateur.



#### **Lunettes de sécurité en conformité avec EN 166, classe 2, résistance mécanique classe S**

Les lunettes de sécurité doivent être portées sur toute la période de travail sur les flexibles et les conteneurs de gaz (par exemple exemple bouteilles de gaz, réservoirs).

Les lunettes de sécurité protègent les yeux de toutes les particules volantes, le gaz qui s'échapperait et les éclaboussures.



#### **Gants de protection contre la chaleur en conformité avec EN ISO 13732-1 et contre le froid en conformité avec EN ISO 13732-3**

Les gants de protection doivent être portés sur toute la période de travail sur les flexibles et les conteneurs de gaz (par exemple bouteilles de gaz, cuves) ou sur les composants qui dépassent 60 °C.

### 3.7 Manipulation de gaz isolants et de mélanges gazeux

Le gaz SF<sub>6</sub> est un gaz à effet de serre figurant dans le Protocole de Kyoto. Le gaz SF<sub>6</sub> ne doit pas s'échapper dans l'atmosphère, mais doit être récupéré dans des containers adéquats.

#### Propriétés des gaz isolants

- Sans odeur et sans couleur
- Neutre chimiquement
- Inerte
- Ininflammable
- Plus lourds que l'air
- Non-toxiques
- Ils n'endommagent pas la couche d'ozone

Voir des informations détaillées dans les normes CEI 60376 et CEI 61634.

#### Danger de suffocation causé par des gaz isolants et des mélanges de gaz

De hautes concentrations de gaz peuvent provoquer une asphyxie, car l'air respirable est déplacé depuis les poumons lorsqu'on inhale du gaz.

Comme le gaz SF<sub>6</sub> est plus lourd que l'air, il est collecté, en particulier, au niveau du sol ou de pièces situées à un niveau bas en-dessous du niveau de référence (par exemple des caves). Ceci est particulièrement dangereux, car le gaz SF<sub>6</sub> est incolore et inodore et peut ainsi être imperceptible pour les gens.

### 3.8 Danger causé par des produits de décomposition

Le gaz isolant présent dans des systèmes électriques peut contenir des produits de décomposition générés par les arcs électriques.

- Fluorures de soufre gazeux
- Hexafluorures de soufre
- Fluorures de métaux solides et atomisés, sulfures de métal, oxydes de métal
- Fluorure d'hydrogène
- Dioxyde de soufre

Les produits de décomposition peuvent être nocifs pour la santé.

- Ils peuvent provoquer un empoisonnement par inhalation, ingestion ou contact avec la peau.
- Ils peuvent être irritants pour les yeux, le système respiratoire ou la peau et les brûler.
- L'inhalation de grandes quantités peut endommager les poumons.

Respecter les instructions de sécurité suivantes pour éviter tout danger provenant du gaz isolant :

- Porter un équipement de protection individuelle.
- lire la fiche technique de sécurité concernant le matériau éditée par le fournisseur de gaz.
- Dans le cas de fuites importantes, évacuer rapidement la zone.
- Assurer une bonne ventilation.
- Assurez-vous que l'équipement est étanche au moyen d'un détecteur de fuites (par exemple type GIR-10).

### 3.9 Normes et directives applicables pour l'installation, l'assemblage et la mise en service :

- BGI 753 (installations et équipements SF<sub>6</sub> en Allemagne)
- CEI 61634 (manipulation du gaz SF<sub>6</sub>)
- CEI 60376 (nouveau gaz SF<sub>6</sub>, gaz SF<sub>6</sub> technique)
- CEI 60480 (gaz SF<sub>6</sub> utilisé)
- Rapport CIGRE 276, 2005 (Instructions pratiques pour la manipulation de gaz SF<sub>6</sub>)

Fuites survenant pendant le travail :

- CEI 60376 (nouveau gaz SF<sub>6</sub>, gaz SF<sub>6</sub> technique)
- CEI 60480 (gaz SF<sub>6</sub> utilisé)
- CIGRE 2002 ("Le gaz SF<sub>6</sub> dans l'industrie électrique")

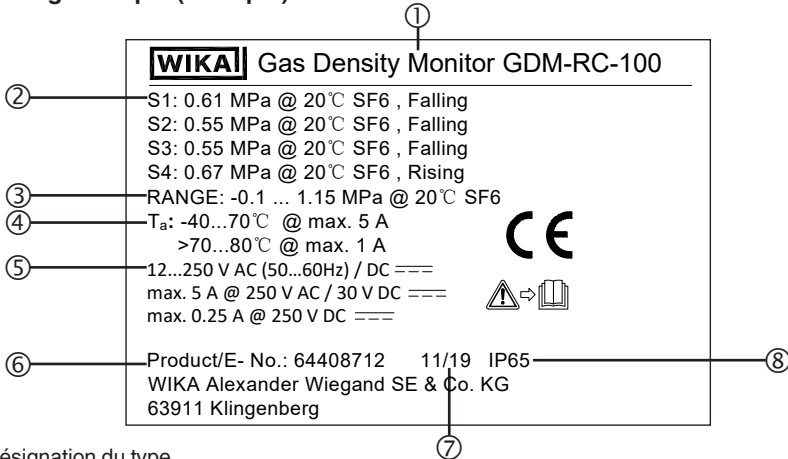


Le SF<sub>6</sub> est un gaz incolore et inodore, chimiquement neutre, inerte et non inflammable qui est approximativement cinq fois plus lourd que l'air, non toxique et qui ne nuit pas à la couche d'ozone.

Voir des informations détaillées dans les normes CEI 60376 et CEI 61634.

### 3.10 Etiquetage, marquages de sécurité

#### Plaque signalétique (exemple)



- ① Désignation du type
- ② Position et nombre de points de seuil
- ③ Etendue de mesure
- ④ Température ambiante admissible
- ⑤ Caractéristiques électriques
- ⑥ Numéro d'article
- ⑦ Date de fabrication
- ⑧ Classe IP



Lire impérativement le mode d'emploi avant le montage et la mise en service de l'instrument !

### 4. Transport, emballage et stockage

#### 4.1 Transport

Vérifier s'il existe des dégâts sur le densimètre qui pourraient être liés au transport. Communiquer immédiatement les dégâts constatés.



#### **ATTENTION !**

##### **Dommages liés à un transport inapproprié**

Un transport inapproprié peut donner lieu à des dommages importants.

- ▶ Lors du déchargement des colis à la livraison comme lors du transport des colis en interne après réception, il faut procéder avec soin et observer les consignes liées aux symboles figurant sur les emballages.
- ▶ Lors du transport en interne après réception, observer les instructions du chapitre 5.2 "Emballage et stockage".

FR

#### 4.2 Emballage et stockage

N'enlever l'emballage qu'avant le montage.

Conserver l'emballage, celui-ci offre, lors d'un transport, une protection optimale (par ex. changement de lieu d'utilisation, renvoi pour réparation).



#### **AVERTISSEMENT !**

##### **Blessures physiques et dommages aux équipements et à l'environnement causés par les produits de décomposition dangereux**

Enlever tous les produits de décomposition résiduels avant l'entreposage de l'instrument.

- ▶ Pour le nettoyage, voir chapitre 7.2 "Cleaning"

#### **Conditions admissibles sur le lieu de stockage :**

- Température de stockage (produit de base) : -50 ... +80 °C
- Humidité : ≤ 95 % h. r. (sans condensation)

#### **Eviter les influences suivantes :**

- Suie, vapeur, poussière et gaz corrosifs
- Environnements dangereux, atmosphères inflammables

Conserver l'instrument dans l'emballage original dans un endroit qui satisfait aux conditions susmentionnées. Si l'emballage d'origine n'est pas disponible, emballer et stocker l'instrument comme suit :

1. Placer l'instrument avec le matériau isolant dans l'emballage.
2. En cas d'entreposage pour une longue période (plus de 30 jours), mettre également un sachet absorbant d'humidité dans l'emballage.

### 5. Mise en service, utilisation

#### 5.1 Montage mécanique



#### ATTENTION !

#### Blessures physiques et dommages aux équipements et à l'environnement liés à un instrument défectueux

Avant la mise en service, l'instrument doit être soumis à un contrôle visuel. L'instrument ne doit être utilisé qu'en parfait état de sécurité technique.

FR

#### 5.1.1 Exigences relatives au point de montage

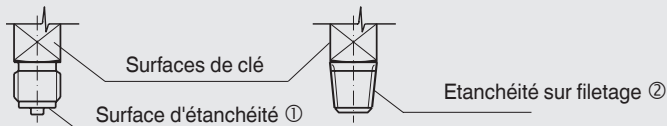
- Pour les applications en extérieur, l'emplacement sélectionné de l'installation doit être adapté à l'indice de protection spécifié, de sorte que l'instrument ne soit pas exposé à des conditions météorologiques inadmissibles.
- Les surfaces d'étanchéité sur l'instrument et au point de mesure doivent être non-endommagées et propres.

#### 5.1.2 Installation

- Avec le transport et le stockage, il peut arriver que les densimètres se réchauffent ou se refroidissent et que cela provoque des mouvements de l'aiguille. Ces mouvements d'aiguille sont causés par le système de compensation. Pour assurer que les instruments ont été suffisamment adaptés à la température ambiante, il faut consacrer au moins 2 heures à 20 °C d'acclimatation. Alors, en état dépressurisé, l'aiguille résidera dans les limites de la barre de tolérance.
- En correspondance avec les réglementations techniques générales pour les manomètres (par exemple EN 837-2 "Recommandations pour la sélection et l'installation de manomètres"), lors du vissage de l'instrument, le couple de serrage ne doit pas être appliqué sur le boîtier mais seulement sur le carré prévu à cet effet et ce avec un outil approprié.
- Lorsque vous vissez, ne pas abîmer les filetages.

Pour les filetages parallèles, utiliser des joints d'étanchéité plats, des bagues d'étanchéité de type lentille ou des joints à écrasement WIKA sur la face d'étanchéité ①. Pour des filetages coniques (par exemple des filetages NPT), l'étanchéité doit se faire sur les filetages ② en utilisant un matériau d'étanchéité approprié (EN 837-2).

Le couple de serrage dépend du joint d'étanchéité utilisé. Pour orienter l'instrument de mesure de sorte qu'il puisse être consulté aussi bien que possible, un raccordement avec un manchon de serrage ou un écrou-chapeau doit être utilisé. Au cas où un instrument est équipé d'une paroi arrière éjectable, celle-ci doit être protégée contre un blocage par des pièces d'appareil et contre la crasse.





### 5.1.3 Charge de température

L'installation de l'instrument doit être faite de telle sorte que la température de fonctionnement admissible, compte tenu également des effets de convection et de rayonnement thermique, ne dépasse ni ne tombe au-dessous des limites admissibles. L'influence de la température sur la précision de l'indication et de la mesure doit être considérée.

## 5.2 Raccordement électrique

### 5.2.1 Ligne de raccordement

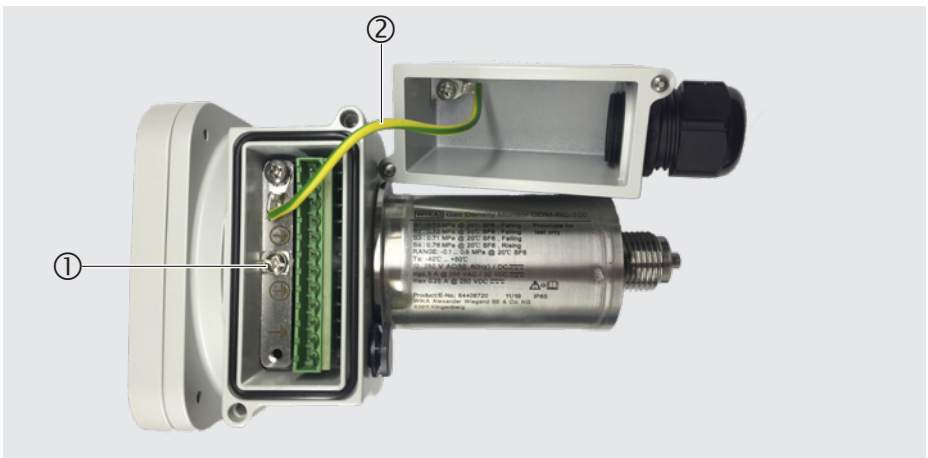
En ce qui concerne le choix des lignes de raccordement, il faut noter les points suivants :

- La section transversale du conducteur doit être choisie en fonction du dispositif de protection contre le courant de charge ou la surintensité.
- La plage d'étanchéité du presse-étoupe fourni doit s'adapter au diamètre du conducteur.
- La plage de température du câble doit correspondre, au minimum, à la plage de température d'exploitation de l'instrument.

→ Pour les spécifications, voir chapitre 9 "Spécifications".

### 5.2.2 Mise à la terre

- L'instrument principal doit être mis à la terre par le raccord process.
- Fixer le conducteur de protection de câble de raccordement pour les contacts électriques à la borne (1) prévue à cet effet comme le montre la figure ci-dessous.
- Ne jamais retirer le câble du conducteur de protection (2) entre l'instrument principal et la contrepièce du boîtier de raccordement. Sinon, aucune sécurité de fonctionnement ne pourra être assurée.



## 5. Mise en service, utilisation

### 5.2.3 Bornes de raccordement et préparation des fils

Les bornes de raccordement conviennent pour les types suivants de conducteur simple ou de sections transversales :

#### Bornes de raccordement et préparation des fils

	Bornes de raccordement du bornier de fiches femelles	Bornes de raccordement du conducteur de protection
<b>Types de conducteurs simples</b>	<ul style="list-style-type: none"><li>■ Fil conducteur massif</li><li>■ Toron flexible</li><li>■ Toron flexible avec raccord d'extrémité</li></ul>	<ul style="list-style-type: none"><li>■ Fil conducteur massif</li><li>■ Toron flexible avec raccord d'extrémité</li></ul>
<b>Longueur du fil</b>	≥ 90 mm	≥ 120 mm
<b>Longueur maximale de l'extrémité dénudée du fil</b>	Max. 5,5 mm	Max. 8 mm
<b>Nombre de fils / Sections transversales</b>	De 1 x 0,5 mm <sup>2</sup> à 1 x 2,5 mm <sup>2</sup>	
<b>Couple de serrage recommandé</b>	0,5 Nm	1,2 Nm

### 5.2.4 Contacts électriques

- La position des points de seuil et les fonctions de commutation sont indiquées sur la plaque signalétique.
- L'affectation des fonctions de commutation individuelles est indiquée sur une étiquette adhésif apposée sur le contre-connecteur du bornier :

#### Schéma de câblage

<b>Premier chiffre</b>	<ul style="list-style-type: none"><li>■ 1x – Contact électrique S1</li><li>■ 2x – Contact électrique S2</li><li>■ 3x – Contact électrique S3</li><li>■ 4x – Contact électrique S4</li></ul>
<b>Deuxième chiffre</b>	<ul style="list-style-type: none"><li>■ x1 – Commun</li><li>■ x2 – Normalement fermé</li><li>■ x3 – Normalement ouvert</li></ul>

## Schéma de câblage

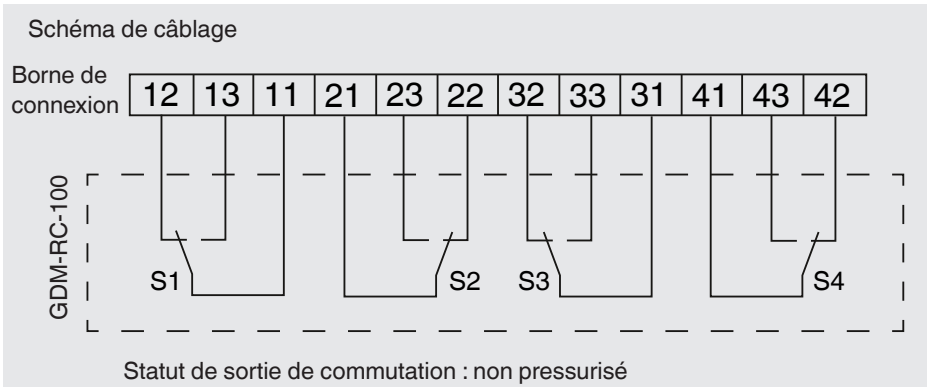
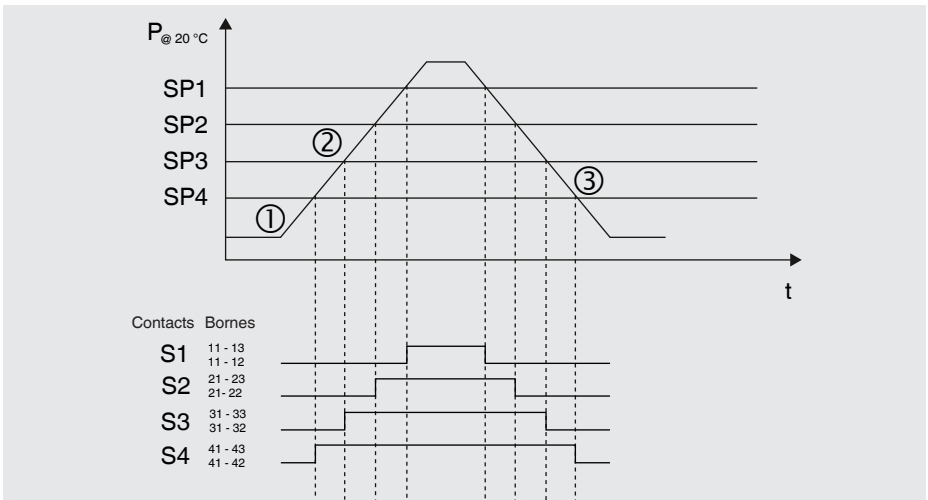


Diagramme schématisique du comportement de commutation avec une densité montante ou descendante dans la durée :



Le véritable ordre des points de seuil est spécifique au client.

Si le densimètre de gaz n'est pas sous pression, tous les contacts ne sont pas actionnés mécaniquement.

Quatrième point de commutation : la borne 41 est reliée à la borne 42 (1).

Si le densimètre de gaz est sous pression, un déplacement trop important du point de commutation va déclencher le contact électrique des bornes 41-42 aux bornes 41-43.

## 5. Mise en service, utilisation

Le contact électrique ne sera pas commuté en retour des bornes 41-43 aux bornes 41-42 avant que la valeur descende en-dessous du seuil de commutation.

Jusqu'à quatre contacts électriques permettent de couvrir complètement toutes les fonctions de commutation désirées. En fonction des exigences de l'application, il est possible de commuter entre fermeture descendante, ouverture descendante, fermeture montante ou ouverture montante.

Les contacts électriques sont réglés pour une densité soit montante soit descendante.

FR



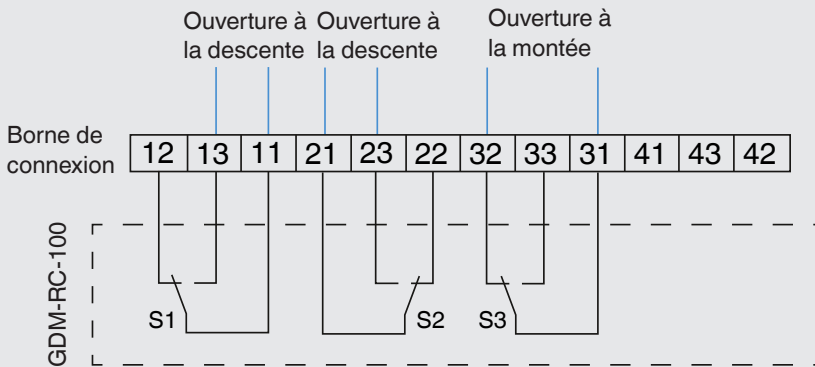
Il est recommandé de toujours commuter seulement dans la direction de commutation qui a été réglée à la sortie de l'usine, car sinon l'écart fixe du contact électrique doit être également pris en compte.

→ Informations détaillées concernant l'écart fixe : voir fiche technique SP 60.27

### Exemples de fonctions de commutation dans l'application

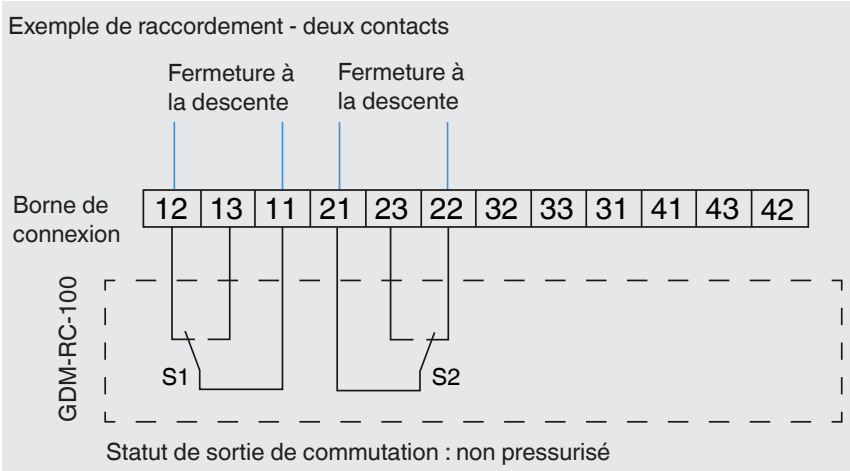
1. Exemple avec trois contacts normalement fermés : les contacts 1 et 2 doivent s'ouvrir lorsque la valeur descend en-dessous du seuil, et le contact 3 doit s'ouvrir lorsque le seuil est dépassé :

#### Exemple de raccordement - trois contacts



Statut de sortie de commutation : non pressurisé

2. Exemple avec deux contacts normalement fermés : les contacts 1 et 2 doivent se fermer lorsque les valeurs descendent en-dessous du seuil :



### 5.2.5 Fermeture du boîtier de raccordement

- Assurez-vous qu'aucune humidité ne peut pénétrer à l'extrémité du câble.
- Pour cela, assurez-vous que le presse-étoupe du couvercle du boîtier installé est adapté au diamètre du câble utilisé et que le presse-étoupe est posé correctement.
- Veiller à ce que les joints d'étanchéité soient présents et intacts.
- Serrer le presse-étoupe avec le couple indiqué dans les spécifications (→ voir chapitre 9 "Spécifications") et vérifier que le joint est bien fixé pour que l'indice de protection soit assuré.

### 5.2.6 Valeurs limites pour le pouvoir de coupure avec charge résistive

Ne pas dépasser les valeurs limites.

Le courant de commutation ne doit, pour des raisons de fiabilité de commutation, pas être inférieur à 10 mA pour les basses tensions (12 V).

### Dispositif de protection de surtension

Aucun dispositif de protection de surtension n'est installé dans les instruments. Les dispositifs de protection contre la surintensité avec les valeurs nominales suivantes doivent être utilisés sur le côté système :

- Max. 5 A (à  $T_a$  : -40 ... +70 °C)
- Max. 1 A (à  $T_a$  : > 70 ... 80 °C)



Si les dispositifs de protection contre la surintensité en conformité avec EN 60127-2 ou équivalente sont utilisés, ils peuvent être choisis avec un haut pouvoir de coupure (par exemple H1500A).

## 5. Mise en service, utilisation

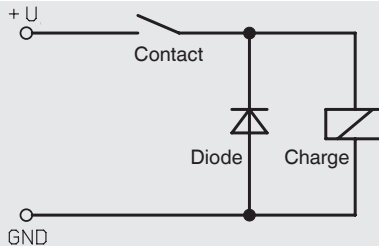
### 5.2.7 Dispositifs de protection pour contact

Les contacts mécaniques ne doivent pas dépasser les valeurs électriques indiquées pour le courant de commutation, la tension de commutation et la puissance de commutation indépendants les uns des autres, même pour une durée brève. Pour les charges capacitatives ou inductives, nous recommandons l'un des circuits de protection suivants :

#### Charge inductive sous tension continue

En cas de tension continue, la protection par contact peut être obtenue par une diode de récupération de self-induction parallèlement à la charge. La polarité de la diode doit garantir qu'elle bloque lorsque la tension de service est appliquée.

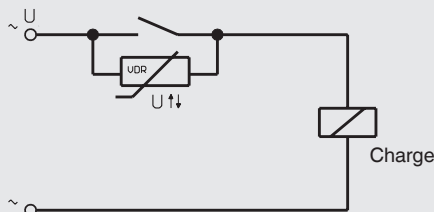
Exemple :  
dispositif de protection  
avec diode de  
récupération de self-  
induction



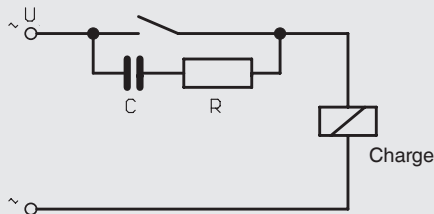
#### Charge inductive sous tension alternative

En cas de tension alternative, il existe deux dispositifs de protection :

Exemple :  
dispositif de protection  
avec une varistance VDR



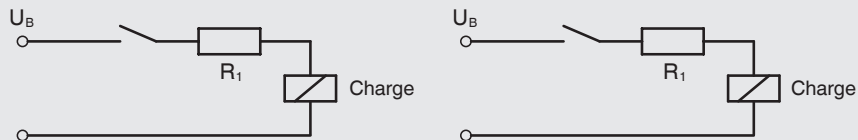
Exemple :  
Dispositif de protection  
avec élément RC



### Charge capacitive

En cas de charges capacitives, des courants de démarrage plus importants apparaissent. Ils peuvent être réduits par la commutation en série de résistances dans le câble d'alimentation.

Exemples : dispositif de protection avec résistance pour limiter le courant



FR

### 5.3 Réglage du point de seuil

Les points de seuil ont un réglage fixe en standard et ne peuvent pas être réglés. Ainsi, un réglage intempestif des points de seuil est exclu.

### 6. Dysfonctionnements



#### ATTENTION !

#### Blessures physiques et dommages aux équipements et à l'environnement

Si les défauts ne peuvent pas être éliminés au moyen des mesures listées, le densimètre de gaz doit être mis hors service immédiatement.

- ▶ S'assurer que la pression ou le signal n'est plus présent et protéger contre une mise en service accidentelle.
- ▶ Contacter le fabricant.
- ▶ S'il est nécessaire de retourner l'instrument au fabricant, respecter les indications mentionnées au chapitre 9.2 "Retour".

FR



Pour le détail des contacts, merci de consulter le chapitre 1 "Généralités" ou le dos du mode d'emploi.

Dysfonctionnements	Raisons	Mesures
<b>Le contact ne commute plus en conformité avec la spécification.</b>	Le raccordement électrique est interrompu.	Effectuer un test de continuité sur les lignes de raccordement électrique.
	L'alimentation ne convient pas pour le type de contact électrique.	Vérifier l'alimentation admissible pour ce type de contact électrique.
	Contact contaminé.	
<b>L'état de commutation demeure inchangé bien que le point de seuil ou de réinitialisation ait été atteint.</b>	Contacts défectueux (par exemple zone de contact fondue).	Remplacer l'instrument. Avant de mettre en service le nouvel instrument, installer un circuit de protection pour le contact.
<b>L'aiguille ne bouge pas malgré un changement au niveau de la pression.</b>	Mouvement bloqué.	Remplacer l'instrument.
<b>L'aiguille bouge, même si l'instrument est hors pression.</b>	Réchauffement ou refroidissement de l'instrument de mesure (aucun dommage)	Laisser reposer l'instrument pendant 2 heures à 20 °C.

Pour des réclamations, il faudra fournir les numéros de série et de produit. Le numéro de série est imprimé sur le cadran, le numéro de produit se trouve sur la plaque signalétique. Lors d'une réclamation, il faudra indiquer la pression atmosphérique et la température pendant la mesure ainsi que les données concernant l'étalon de référence (type, classe).



### 7. Entretien, nettoyage et réétalonnage

#### 7.1 Entretien

Ces densimètres ne nécessitent pas d'entretien.

Un contrôle de l'affichage et de la fonction de commutation est recommandé 1 à 2 fois/an. Pour ce faire, l'appareil doit être déconnecté du compartiment de gaz pour vérification à l'aide d'un dispositif de test de pression (par exemple WIKA BCS-10). Les réparations ne doivent être effectuées que par le fabricant.

Les instruments ne doivent pas être ouverts, car cela peut conduire à des erreurs d'affichage et de point de seuil.

FR

#### 7.2 Nettoyage



##### **ATTENTION !**

##### **Blessures physiques et dommages aux équipements et à l'environnement**

Un nettoyage inapproprié peut conduire à des blessures physiques et à des dommages aux équipements ou à l'environnement. Les restes de fluides se trouvant dans les instruments démontés peuvent mettre en danger les personnes, l'environnement ainsi que l'installation.

► Effectuer la procédure de nettoyage comme décrit ci-dessous.

1. Avant le nettoyage, débrancher correctement l'instrument de l'alimentation, l'éteindre et le déconnecter du secteur.
2. Utiliser l'équipement de protection requis.
3. Nettoyer l'instrument avec un chiffon humide.  
Eviter tout contact des raccordements électriques avec l'humidité !



##### **ATTENTION !**

##### **Dommages à l'instrument**

Un nettoyage inapproprié peut endommager l'instrument !

- Ne pas utiliser de détergents agressifs.
- Ne pas utiliser d'objets pointus ou durs pour le nettoyage.

4. Laver et décontaminer l'instrument démonté afin de protéger les personnes et l'environnement contre le danger lié aux résidus de fluides.



Des informations relatives à la procédure de retour sont disponibles sur notre site Internet à la rubrique "Services".

### 7.3 Etalonnage

Le densimètre peut être étalonné au moyen d'un système d'étalonnage spécial pour les instruments de mesure de densité de gaz (par exemple WIKA BCS-10).

Le densimètre avec raccord pour test et vanne de fermeture peut être isolé du compartiment de gaz au moyen de la vanne de fermeture, sans qu'on ait besoin de démonter le densimètre. Avec les densimètres qui ne sont pas munis d'un raccord pour test et d'une vanne de fermeture, le densimètre doit être démonté par un professionnel. Dans ce cas, il peut s'avérer nécessaire de mettre temporairement hors service le système tout entier.

FR

#### Étalonnage du densimètre avec raccord pour test et vanne de fermeture (d'après l'exemple du type GDM-100-CV)



#### ATTENTION !

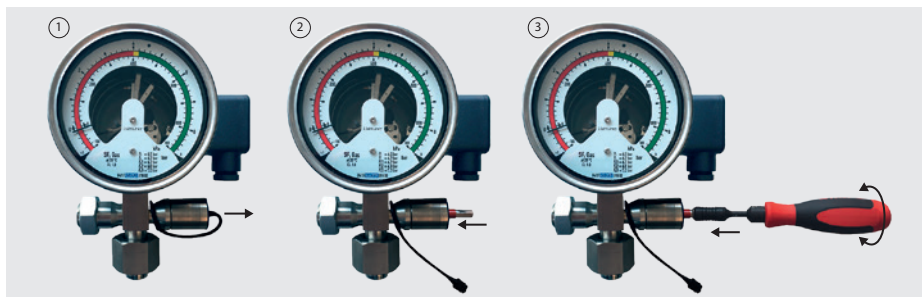
#### Discontinuité dans la fonction d'affichage

Lors de l'étalonnage, le densimètre doit être isolé du compartiment de gaz qui est en train d'être contrôlé. En cas de fuite, on ne pourra donner aucune alerte.

► Après l'étalonnage, ouvrir à nouveau la vanne de fermeture.

Couple de serrage de la vanne de fermeture : 1,2 Nm  $\pm$ 10 %

Couple de serrage du raccord pour test : 60 Nm  $\pm$ 10 %



1. Débrancher le connecteur pour régler la vanne (1).
2. Placer l'insert de clé à douille dans le réglage de vanne (2).
3. Mettre le réglage de vanne dans la position "CLOSE" (fermer) (3) à l'aide de la clé à douille.
  - L'insert de clé à douille ne peut plus être retiré.
  - Le densimètre est isolé du compartiment de gaz.
4. Relier le gaz de test et l'étalon de test avec le raccord pour test.
5. Effectuer l'étalonnage.
6. Isoler le gaz de test et l'étalon de test du raccord pour test.
7. Mettre le réglage de vanne dans la position "OPEN" (ouvrir) (3) à l'aide de la clé à douille.
  - L'insert de clé à douille peut maintenant être retiré.
  - Le densimètre est relié au compartiment de gaz.

### 8. Démontage, retour et mise au rebut

#### 8.1 Démontage



##### **AVERTISSEMENT !**

**Blessures physiques et dommages aux équipements et à l'environnement causés par les produits de décomposition dangereux**

Lors du contact avec des produits de décomposition dangereux, il y a un risque de blessures physiques et de dommages aux équipements et à l'environnement.

- ▶ Porter l'équipement de protection requis (voir chapitre 3.6 "Équipement de protection individuelle").

#### 8.2 Retour

##### **En cas d'envoi de l'instrument, il faut respecter impérativement ceci :**

Tous les instruments livrés à WIKA doivent être exempts de substances dangereuses (acides, bases, solutions, etc.) et doivent donc être nettoyés avant d'être retournés.

Pour retourner l'instrument, utiliser l'emballage original ou un emballage adapté pour le transport.

##### **Pour éviter des dommages :**

1. Placer l'instrument avec le matériau isolant dans l'emballage.  
Isoler de manière uniforme tous les côtés de l'emballage de transport.
3. Mettre si possible un sachet absorbant d'humidité dans l'emballage.



Des informations relatives à la procédure de retour sont disponibles sur notre site Internet à la rubrique "Services".

#### 8.3 Mise au rebut

Une mise au rebut inadéquate peut entraîner des dangers pour l'environnement. Éliminer les composants des instruments et les matériaux d'emballage conformément aux prescriptions nationales pour le traitement et l'élimination des déchets et aux lois de protection de l'environnement en vigueur.



Ne pas mettre au rebut avec les ordures ménagères. Assurer une mise au rebut correcte en conformité avec les réglementations nationales.

## 9. Spécifications

### Généralités

<b>Principe de mesure</b>	Mesure de gaz de référence
<b>Etendue de mesure</b>	<ul style="list-style-type: none"> <li>■ 0 ... 10 bar abs. à 20 °C gaz SF<sub>6</sub></li> <li>■ 0 ... 12,5 bar abs. à 20 °C gaz SF<sub>6</sub></li> </ul>
<b>Diamètre de l'affichage optique</b>	100 mm
<b>Auto-affichage en cas de dysfonctionnement</b>	Intégré dans l'instrument, le contact électrique est activé en cas de fuite dans la chambre de référence
<b>Plaque signalétique</b>	Gravée au laser sur la chambre de référence, résistance maximale aux intempéries
<b>Accessoires</b>	Voir type GLTC-CV

### Incertitude

#### Précision de commutation

-1 ... +5 bar à 20 °C	<ul style="list-style-type: none"> <li>■ ±70 mbar à une pression d'étalonnage à 20 °C, phase gazeuse</li> <li>■ ±100 mbar à une pression d'étalonnage à -30 ... +50 °C, phase gazeuse</li> </ul>
-1 ... +9 bar à 20 °C	<ul style="list-style-type: none"> <li>■ ±100 mbar à une pression d'étalonnage à 20 °C, phase gazeuse</li> <li>■ ±150 mbar à une pression d'étalonnage à -30 ... +50 °C, phase gazeuse</li> </ul>
-1 ... +11,5 bar à 20 °C	<ul style="list-style-type: none"> <li>■ ±150 mbar à une pression d'étalonnage à 20 °C, phase gazeuse</li> <li>■ ±200 mbar à une pression d'étalonnage à -30 ... +50 °C, phase gazeuse</li> </ul>

#### Précision d'indication sur échelle numérotée

-1 ... +5 bar à 20 °C	<ul style="list-style-type: none"> <li>■ ±70 mbar à une pression d'étalonnage à 20 °C, phase gazeuse</li> <li>■ ±100 mbar à une pression d'étalonnage à -30 ... +50 °C, phase gazeuse</li> </ul>
-1 ... +9 bar à 20 °C	<ul style="list-style-type: none"> <li>■ ±100 mbar à une pression d'étalonnage à 20 °C, phase gazeuse</li> <li>■ ±150 mbar à une pression d'étalonnage à -30 ... +50 °C, phase gazeuse</li> </ul>
-1 ... +11,5 bar à 20 °C	<ul style="list-style-type: none"> <li>■ ±150 mbar à une pression d'étalonnage à 20 °C, phase gazeuse</li> <li>■ ±200 mbar à une pression d'étalonnage à -30 ... +50 °C, phase gazeuse</li> </ul>
Pression d'étalonnage établie au moyen d'un isochore de référence, créé par le Professeur Bier	

## 9. Spécifications

FR

Cadran	
<b>Echelle de mesure sur cadran</b>	<ul style="list-style-type: none"> <li>■ Fin de l'étendue de mesure : 1,3 bar au-dessus du premier point de commutation en-dessous de la pression de remplissage</li> <li>■ Numérotation : se termine 900 mbar au-dessus du premier point de commutation en-dessous de la pression de remplissage</li> </ul> <p>Etendue de mesure agrandie : (au moins 4 bar en-dessous et 1,3 bar au-dessus du premier point de commutation)</p>
<b>Balance</b>	<ul style="list-style-type: none"> <li>■ Echelle unique (divisée en sections de couleurs différentes)</li> <li>■ Echelle double (divisée en sections de couleurs différentes)</li> <li>■ Echelle triple (divisée en sections de couleurs différentes)</li> </ul>
<b>Matériau</b>	Aluminium

Contacts électriques			
<b>Type de contact</b>	Contacts inverseurs libres de potentiel		
<b>Raccordement électrique</b>	Bornier enfichable TTI 12 broches		
Raccordement électrique	Bornier enfichable TTI 12 broches		
Section de conducteur	<ul style="list-style-type: none"> <li>■ min. 0,25 mm<sup>2</sup></li> <li>■ max. 2,5 mm<sup>2</sup></li> </ul>		
Mise à la terre	Mise à la terre disponible dans une prise de terre		
<b>Quantité</b>	<ul style="list-style-type: none"> <li>■ 1 contact électrique</li> <li>■ 2 contacts électriques</li> <li>■ 3 contacts électriques</li> <li>■ 4 contacts électriques</li> </ul> <p>Jusqu'à 4 contacts électriques possibles comme contact inverseur</p>		
<b>Directions de commutation</b>	<ul style="list-style-type: none"> <li>■ Densité en baisse</li> <li>■ Densité en hausse</li> </ul>		
<b>Points de seuil</b>	Selon la spécification du client, différence maximale du contact le plus bas au contact le plus haut : 4 bar		
<b>Caractéristiques électriques</b>	<b>Tension de commutation</b>	<b>Charge résistive A</b>	<b>Charge inductive A</b>
	≤ 30 VDC	5 <sup>1)</sup>	3 <sup>1)</sup>
	≤ 50 VDC	1	1
	≤ 75 VDC	0,75	0,75
	≤ 125 VDC	0,5	0,03
	≤ 250 VDC	0,25	0,03
	≤ 125 VAC	5 <sup>1)</sup>	2 <sup>1)</sup>
≤ 250 VAC	5 <sup>1)</sup>	2 <sup>1)</sup>	

14385258.02 06/2020 EN/DE/FR/ES

## 9. Spécifications

### Contacts électriques

<b>Tension et courant de commutation minimum</b>	12 V, 10 mA	
<b>Pression d'étalonnage</b>	Premier point de commutation en-dessous de la pression de remplissage	
<b>Fonction de commutation</b>	Contact inverseur	
<b>Circuits</b>	Isolation galvanique	
<b>Nombre maximum de cycles</b>	10.000 cycles mécaniques et électriques	
<b>Contact de résistance d'isolement</b>	> 100 MOhm	
<b>Ecart</b>	<b>Etendue de mesure</b>	<b>Niveau d'hystérésis (écart)</b>
	-1 ... +5 bar à 20 °C	Typiquement < 90 mbar <sup>2)</sup>
	-1 ... +7,5 bar à 20 °C	Typiquement < 150 mbar <sup>2)</sup>
	-1 ... +11,5 bar à 20 °C	Typiquement < 220 mbar <sup>2)</sup>
	Ecart fixe plus faible sur demande	

- 1) Seulement jusqu'à une température ambiante de 70 °C.  
A une température ambiante de 70 ... 80 °C, les contacts doivent être utilisés avec un maximum de 1 A.
- 2) Conformément à BS 6134:1991, taux de changement de pression de 1 % de la valeur pleine échelle par seconde.

### Conditions ambiantes admissibles

<b>Température ambiante admissible</b>	
Température d'utilisation	-40 ... +80 °C [-40 ... +176 °F], phase gazeuse
Température de stockage	-50 ... +80 °C [-58 ... 176 °F]
<b>Indice de protection</b>	IP65, IP67
<b>Humidité de l'air admissible</b>	≤ 95 % h. r. (sans condensation) Compensation de membrane contre la condensation
<b>Résistance aux chocs</b>	<ul style="list-style-type: none"> <li>■ 50 g/11 ms : aucun rebondissement de contact à une distance de 200 mbar du point de commutation</li> <li>■ 150 g : aucun dommage dans tous les axes et toutes les directions</li> </ul>
<b>Résistance aux vibrations</b>	■ 4 g à une distance de 50 mbar du point de commutation, pas de rebondissement de contact (20 ... 100 Hz)

### Tests EMC

<b>Rigidité diélectrique</b>	<ul style="list-style-type: none"> <li>■ 2 kV borne sur mise à la terre (boîtier)</li> <li>■ 2 kV borne sur borne (contact électrique sur contact électrique)</li> <li>■ 1 kV borne sur borne au sein des contacts électriques - 1 minute</li> </ul>
<b>Foudre</b>	7 kV x 1,2/50 µs

## 9. Spécifications

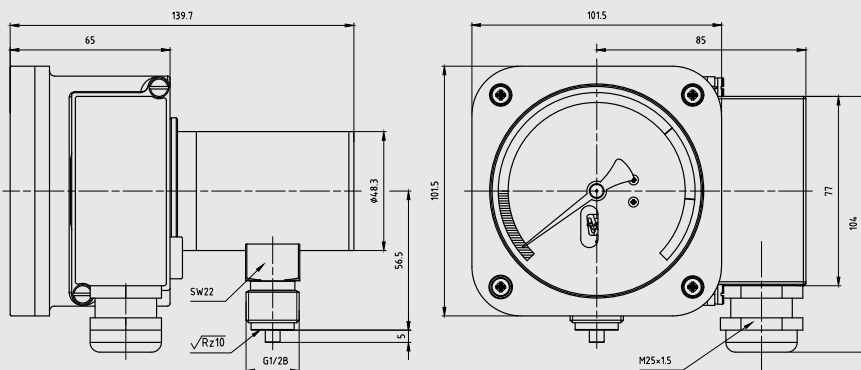
Étanchéité aux fuites	
Raccord process	$\leq 1 \times 10^{-8}$ mbar x l/s
Étanchéité des soufflets	$\leq 1 \times 10^{-8}$ mbar x l/s

Matériaux	
Matériaux en contact avec le fluide	
Chambre de référence (élément de pression)	Acier inox, remplissage avec gaz de référence
Raccord process	G ½ B selon EN 837, axial ou radial, acier inox, méplats de clé 22 mm
	Autres raccords et position de raccord sur demande
Matériaux non en contact avec le fluide	
Boîtier et couvercle	Aluminium moulé, recouvert de poudre
Presse-étoupe M25 x 1,5	Plastique, plage d'étanchéité 5 ... 13 mm ; (en option 8 ... 17 mm) Couple de serrage : 8 Nm
Mouvement	Laiton
Aiguille	Aluminium, noir
Voyant	Verre de sécurité feuilleté
Cadran	Aluminium
Charge maximale	
Résistance maximale à l'éclatement	> 36 bar
Surpression maximale	1,43 fois l'étendue de mesure
Poids	< 1.250 g

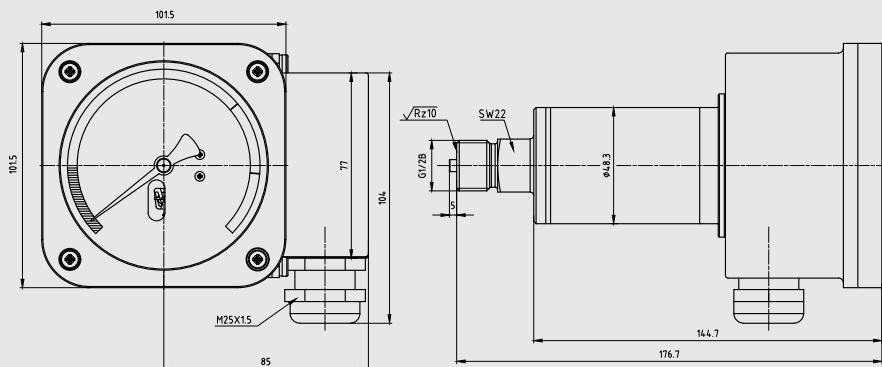
Pour de plus amples spécifications, voir la fiche technique WIKA SP 60.27 et la documentation de commande.

## Dimensions en mm

### Version verticale



### Version à plongeur arrière



FR



# Contenido

---

<b>1. Información general</b>	<b>84</b>
<b>2. Diseño y función</b>	<b>85</b>
<b>3. Seguridad</b>	<b>86</b>
<b>4. Transporte, embalaje y almacenamiento</b>	<b>89</b>
<b>5. Puesta en servicio, funcionamiento</b>	<b>90</b>
<b>6. Errores</b>	<b>98</b>
<b>7. Mantenimiento, limpieza y recalibración</b>	<b>99</b>
<b>8. Desmontaje, devolución y eliminación de residuos</b>	<b>101</b>
<b>9. Datos técnicos</b>	<b>102</b>

---

**ES**

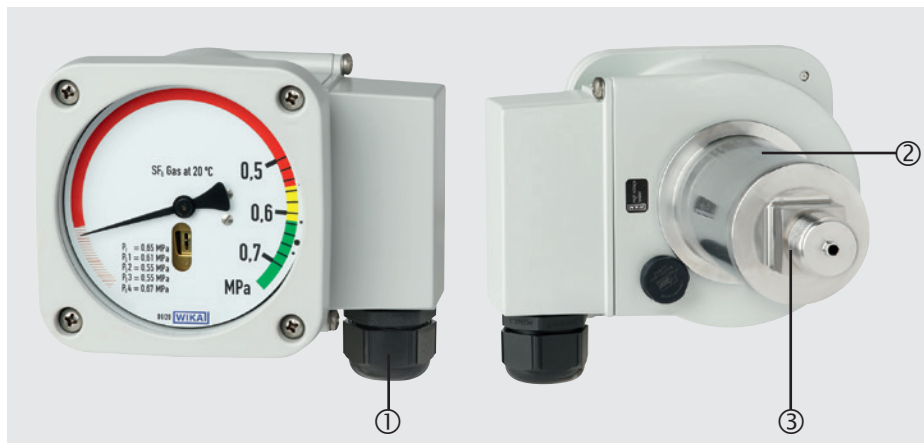
Declaraciones de conformidad puede encontrar en [www.wika.es](http://www.wika.es).

## 1. Información general

- El densímetro descrito en el manual de instrucciones está diseñado y fabricado según la tecnología más moderna. Todos los componentes están sometidos durante su fabricación a estrictos criterios de calidad y medioambientales. Nuestros sistemas de gestión están certificados según ISO 9001 e ISO 14001.
- Este manual de instrucciones proporciona indicaciones importantes acerca del manejo del instrumento. Para un trabajo seguro, es imprescindible cumplir con todas las instrucciones de seguridad y manejo indicadas.
- Cumplir siempre las normativas sobre la prevención de accidentes y las normas de seguridad en vigor en el lugar de utilización del instrumento.
- El manual de instrucciones es una parte integrante del instrumento y debe guardarse en la proximidad del mismo para que el personal especializado pueda consultarlo en cualquier momento. Entregar el manual de instrucciones al usuario o propietario siguiente del instrumento.
- El personal especializado debe haber leído y entendido el manual de instrucciones antes de comenzar cualquier trabajo.
- Se aplican las condiciones generales de venta incluidas en la documentación de venta.
- Modificaciones técnicas reservadas.
- Para obtener más información consultar:
  - Página web: [www.wika.es](http://www.wika.es) / [www.wika.com](http://www.wika.com)
  - Hoja técnica correspondiente: SP 60.27
  - Servicio técnico: Tel.: +49 9372 132-0  
Fax: +49 9372 132-406  
[info@wika.es](mailto:info@wika.es)

### 2. Diseño y función

#### 2.1 Resumen



ES

- ① Conexión eléctrica, conector hembra
- ② Placa de identificación con láser
- ③ Conexión a proceso

#### 2.2 Descripción

Los contactos del microinterruptor siempre incorporados en el densímetro actúan como contactos de conmutación y conmutan si se han establecido valores de presión límite compensados. Los contactos del microinterruptor son accionados por un sistema de fuelle integrado en el instrumento cuando el valor de la densidad del gas asciende o desciende.

#### 2.3 Alcance del suministro

Comparar mediante el albarán si se han entregado todas las piezas.

### 3. Seguridad

#### 3.1 Explicación de símbolos



##### **¡ADVERTENCIA!**

... señala una situación probablemente peligrosa que puede causar la muerte o lesiones graves si no se evita.



##### **¡CUIDADO!**

... señala una situación probablemente peligrosa que puede causar lesiones leves o medianas o daños materiales y del medio ambiente si no se evita.



##### **Información**

... destaca consejos y recomendaciones útiles así como informaciones para una utilización eficiente y libre de errores.

#### 3.2 Uso conforme a lo previsto

El uso previsto del modelo GDM-RC-100 es monitorizar la densidad del gas de gases aislantes.

El densímetro modelo GDM-RC-100 es óptimo para monitorizar, dondequiera que sea necesario, la densidad del gas SF<sub>6</sub> in situ y que, al mismo tiempo, se precise conmutar los circuitos eléctricos.

Los densímetros son instrumentos de medición de presión de contacto modificados, especialmente desarrollados para ser usados con gas SF<sub>6</sub> y otros gases aislantes. La influencia de las fluctuaciones de temperatura sobre el gas SF<sub>6</sub> se compensan mediante un sistema de compensación.

Los densímetros son óptimos para aplicaciones habituales en celdas aisladas en gas (gas SF<sub>6</sub> puro, mezclas de gases, presión de calibración, puntos de conmutación...). Antes del uso, comprobar la idoneidad del dispositivo para la aplicación prevista.

Los valores de aislamiento (espacios de aire y líneas de fuga) están especificados según EN 61010-1:2010 para las siguientes condiciones ambientales:

- Altitud hasta 2.000 m
- Categoría de sobretensión II
- Grado de suciedad 2
- Humedad relativa: 0 ... 95 % no condensable (según DIN 40040)

Utilizar el instrumento únicamente en aplicaciones que están dentro de sus límites de rendimiento técnicos (por ej. temperatura ambiente máxima, compatibilidad de materiales, ...).

→ Para límites de rendimiento véase el capítulo 9 “Specifications”.

¡Este dispositivo no está homologado para aplicaciones en zonas potencialmente explosivas!

El instrumento ha sido diseñado y construido únicamente para la finalidad aquí descrita y debe utilizarse en conformidad a la misma.

Cumplir las especificaciones técnicas de este manual de instrucciones. Un manejo no apropiado o una utilización del instrumento no conforme a las especificaciones técnicas requiere la inmediata puesta fuera de servicio y la comprobación por parte de un técnico autorizado por WIKA.

No se admite ninguna reclamación debido a un manejo no adecuado.

### 3.3 Uso incorrecto



#### ¡ADVERTENCIA!

#### Lesiones por uso incorrecto

El uso incorrecto del dispositivo puede causar lesiones graves o la muerte.

- ▶ Abstenerse de realizar modificaciones no autorizadas del dispositivo.
- ▶ No abrir bajo tensión.
- ▶ No utilizar el dispositivo en zonas potencialmente explosivas.

El instrumento no debe estar expuesto a cargas externas (p. ej., uso como ayuda para trepar, apoyo de objetos).

Cualquier uso que no sea el previsto para este dispositivo es considerado como uso incorrecto.

### 3.4 Responsabilidad del usuario

El dispositivo se utiliza en el sector industrial. Por lo tanto, el usuario está sujeto a las responsabilidades legales para la seguridad en el trabajo.

Se debe cumplir las notas de seguridad en este manual de instrucciones, así como la validez de las normas de seguridad de la unidad, de prevención de accidentes y protección del medio ambiente.

El usuario está obligado a mantener la placa de identificación bien legible.

Para realizar un trabajo seguro en el instrumento el usuario ha de asegurarse de que,

- disponer de un kit de primeros auxilios adecuado y de que se preste ayuda siempre que sea necesario.
- los operadores reciban periódicamente instrucciones, sobre todos los temas referidos a seguridad de trabajo, primeros auxilios y protección del medio ambiente, y conozcan además el manual de instrucciones y en particular las instrucciones de seguridad del mismo.
- el instrumento sea adecuado de acuerdo con el uso previsto para la aplicación.
- que el equipo de protección personal esté disponible.

### 3.5 Cualificación del personal



#### ¡ADVERTENCIA!

#### Riesgo de lesiones debido a una insuficiente cualificación

Un manejo no adecuado puede causar considerables daños personales y materiales.

- ▶ Las actividades descritas en este manual de instrucciones deben realizarse únicamente por personal especializado con la consiguiente cualificación.

#### Personal especializado

Debido a su formación profesional, a sus conocimientos de la técnica de regulación y medición así como a su experiencia y su conocimiento de las normativas, normas y directivas vigentes en el país de utilización el personal especializado autorizado por el usuario es capaz de ejecutar los trabajos descritos y reconocer posibles peligros por sí solo.

#### Especial para aplicaciones con gas SF<sub>6</sub>

El propietario debe asegurar que la manipulación del gas SF<sub>6</sub> esté a cargo de una empresa calificada para ello o de personal capacitado conforme a IEC 61634, sección 4.3.1 o IEC 60480, sección 10.3.1.

### 3.6 Equipo de protección individual

El equipo de protección individual protege al personal especializado contra peligros que puedan perjudicar la seguridad y salud del mismo durante el trabajo. El personal especializado debe llevar un equipo de protección individual durante los trabajos diferentes en y con el instrumento.

#### ¡Cumplir las indicaciones acerca del equipo de protección individual en el área de trabajo!

El usuario debe proporcionar el equipo de protección individual.



#### Gafas de protección según EN 166 clase 2, resistencia mecánica clase S

Las gafas protectoras deben llevarse todo el tiempo mientras se trabaja con los flexibles o con los depósitos de gas (p. ej. cilindros de gas, depósitos). Las gafas de protección protegen los ojos de piezas desplazadas por el aire, escapes de gas y salpicaduras de líquidos.



#### Guantes de protección contra el calor según EN ISO 13732-1 y contra el frío según EN ISO 13732-3

Los guantes de protección deben usarse durante toda la duración de los trabajos en las mangueras o depósitos de gas (p. ej. cilindros de gas, depósitos) o en piezas que se calienten por encima de 60 °C.

### 3.7 Manipulación de gases aislantes y mezclas de gases

El gas SF<sub>6</sub> es un gas de efecto invernadero listado en el protocolo de Kyoto. El gas SF<sub>6</sub> no se debe descargar a la atmósfera, debe recogerse en recipientes adecuados.

#### Características de los gases aislantes

- Incoloros e inodoros
- Químicamente neutrales
- Inertes
- No inflamables
- Más pesados que el aire
- Sin toxicidad
- No dañan el ozono

Los datos detallados se encuentran en el IEC 60376 y e IEC 61634.

ES

#### Peligro de asfixia debido a gases aislantes y mezclas de gases

Elevadas concentraciones de gases pueden producir asfixia, ya que la inhalación del gas expulsa el aire de respiración de los pulmones.

Dado que el gas SF<sub>6</sub> es más pesado que el aire, se acumula sobre todo en las proximidades del piso o en recintos situados debajo del nivel de referencia (p. ej. sótanos). Esto es particularmente peligroso, ya que el gas SF<sub>6</sub> es incoloro e inodoro, por lo cual no es percibido por los seres humanos.

### 3.8 Peligro debido a productos de descomposición

Debido a la acción de arcos eléctricos, el gas aislante en instalaciones eléctricas puede contener productos de descomposición:

- Fluoruro de azufre gaseoso
- Oxifluoruros de azufre
- Fluoruros metálicos sólidos y atomizados, sulfuros metálicos, óxidos metálicos
- Fluoruro de hidrógeno
- Dióxido de azufre

Los productos de descomposición pueden ser nocivos para la salud.

- La inhalación, la ingestión o el contacto con la piel pueden producir una intoxicación.
- Los ojos, los órganos respiratorios o la piel pueden sufrir irritaciones y lesiones cáusticas.
- La inhalación de grandes cantidades puede dañar los pulmones.

Observar las siguientes indicaciones de seguridad para evitar peligros provenientes los gases aislantes:

- Usar equipo de protección individual.
- Leer la hoja de datos de seguridad del proveedor de gas.
- En caso de fugas mayores abandonar de inmediato el lugar.
- Procurar una buena ventilación.
- Asegurar la estanqueidad de los equipos mediante un detector de fugas (p. ej. modelo GIR-10).

## 3.9 Estándares y directivas aplicables para la instalación, el montaje, la puesta en servicio:

- BGI 753 (Instalaciones y equipos de SF<sub>6</sub> en Alemania)
- IEC 61634 (manipulación de gas SF<sub>6</sub>)
- IEC 60376 (gas SF<sub>6</sub> nuevo, gas SF<sub>6</sub> técnico)
- IEC 60480 (gas SF<sub>6</sub> usado)
- CIGRE report 276, 2005 (Practical SF<sub>6</sub> gas handling instructions)

### Fugas durante el funcionamiento:

- IEC 60376 (gas SF<sub>6</sub> nuevo, gas SF<sub>6</sub> técnico)
- IEC 60480 (gas SF<sub>6</sub> usado)
- CIGRE 2002 („SF<sub>6</sub> gas in the electrical industry“)

ES

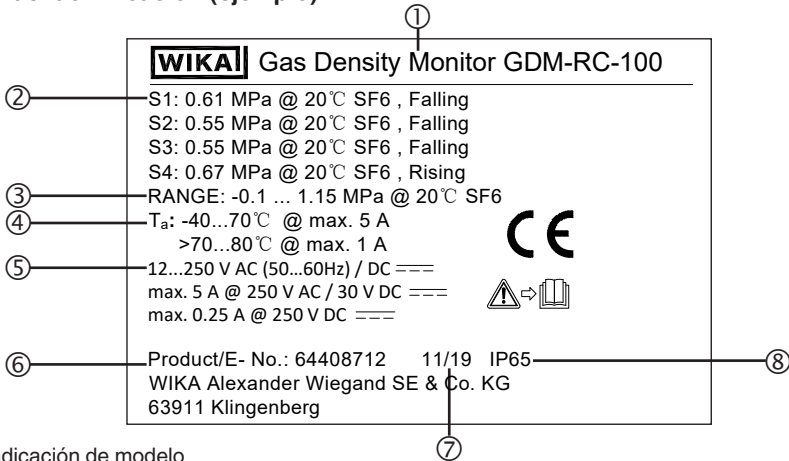


El gas SF<sub>6</sub> es incoloro e inodoro, químicamente neutro, inerte, no inflamable, y cerca de cinco veces más pesado que el aire; no es tóxico y no daña el ozono.

Los datos detallados se encuentran en el IEC 60376 y e IEC 61634.

## 3.10 Rótulos, marcas de seguridad

### Placa de identificación (ejemplo)



- ① Indicación de modelo
- ② Posición y número de puntos de conmutación
- ③ Rango de medición
- ④ Temperatura ambiente admisible
- ⑤ Características eléctricas
- ⑥ Código
- ⑦ Fecha de fabricación
- ⑧ Clase IP



¡Es absolutamente necesario leer el manual de instrucciones antes del montaje y la puesta en servicio del instrumento!



### 4. Transporte, embalaje y almacenamiento

#### 4.1 Transporte

Comprobar si el densímetro presenta eventuales daños causados durante el transporte. Notificar daños obvios de forma inmediata.



#### **¡CUIDADO!**

##### **Daños debidos a un transporte inadecuado**

Un transporte inadecuado puede causar daños materiales considerables.

- ▶ Tener cuidado al descargar los paquetes durante la entrega o el transporte dentro de la compañía y respetar los símbolos en el embalaje.
- ▶ Observar las instrucciones en el capítulo 5.2 “Embalaje y almacenamiento” en el transporte dentro de la compañía.

ES

#### 4.2 Embalaje y almacenamiento

No quitar el embalaje hasta justo antes del montaje.

Guardar el embalaje ya que es la protección ideal durante el transporte (por. ej. si el lugar de instalación cambia o si se envía el instrumento para posibles reparaciones).



#### **¡ADVERTENCIA!**

##### **Lesiones corporales, daños materiales y del medio ambiente causados por productos de descomposición peligrosos**

Todos los productos de descomposición adheridos deben retirarse antes del almacenamiento.

- ▶ Para limpieza, véase el capítulo 7.2 “Cleaning”

#### **Condiciones admisibles en el lugar de almacenamiento:**

- Temperatura de almacenamiento (producto básico): -50 ... +80 °C
- Humedad: ≤ 95 % h. r. (sin rocío)

#### **Evitar lo siguiente:**

- Hollín, vapor, polvo y gases corrosivos
- Entorno potencialmente explosivo, atmósferas inflamables

Almacenar el instrumento en su embalaje original en un lugar que cumple las condiciones arriba mencionadas. Si no se dispone del embalaje original, empaquetar y almacenar el instrumento como sigue:

1. Colocar el instrumento junto con el material aislante en el embalaje.
2. Para un almacenamiento prolongado (más de 30 días) meter una bolsa con un secante en el embalaje.

### 5. Puesta en servicio, funcionamiento

#### 5.1 Montaje mecánico



#### ¡CUIDADO!

#### Lesiones corporales, daños materiales y del medio ambiente debido a un dispositivo defectuoso

Inspeccionar visualmente el instrumento antes de utilizarlo. Utilizar el dispositivo sólo si encuentra en condiciones de funcionamiento absolutamente seguras.

ES

#### 5.1.1 Requerimientos en el lugar de instalación

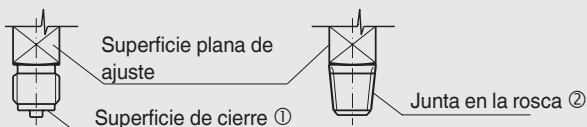
- En caso de aplicación al aire libre, se debe seleccionar un lugar de instalación adecuado para el tipo de protección indicado para que el instrumento no sea sometido a influencias atmosféricas inadmisibles.
- Las superficies de sellado en el instrumento y en el punto de medición deben estar libres de suciedad.

#### 5.1.2 Instalación

- Durante el transporte o el almacenamiento, los densímetros pueden calentarse o enfriarse, lo que provoca movimientos del indicador. Estos movimientos del indicador son causados por el sistema de compensación. Para garantizar que los dispositivos se han adaptado suficientemente a la temperatura ambiente, deberán mantenerse a 20 °C durante al menos 2 horas. Entonces, el indicador permanece sin presión dentro de la barra de tolerancia.
- De acuerdo con las normas técnicas generales para manómetros (p. ej. EN 837-2 “Recomendaciones de selección e instalación para manómetros”), no se debe aplicar fuerza sobre la carcasa al atornillar el instrumento, sino únicamente con una herramienta adecuada sobre la superficie para llave prevista.
- No bloquear las vueltas de la rosca al enroscar.

Para roscas cilíndricas deben emplearse juntas planas, arandelas de sellado o juntas perfiladas WIKA en la superficie de sellado ①. Para roscas cónicas (p. ej., roscas NPT) el sellado se realiza en la rosca ②, con material de sellado apropiado (EN 837-2).

El par de apriete depende del tipo de sellado utilizado. Para poner el instrumento de medición en la posición que proporcionará la mejor lectura, se recomienda una conexión con un manguito tensor o tuerca tapón. Si un instrumento está dotado de un dispositivo de expulsión, es necesario protegerlo de bloqueos por piezas de aparatos o suciedad.



## 5. Puesta en servicio, funcionamiento

### 5.1.3 Carga de temperatura

La colocación del instrumento debe realizarse de tal forma que no se supere la temperatura de servicio admisible pero tampoco se sitúe por debajo de ella, aún teniendo en cuenta la influencia de convección y radiación térmica.

Hay que vigilar los efectos de la temperatura sobre la precisión del indicador o de la medición.

## 5.2 Conexión eléctrica

### 5.2.1 Cable de conexión

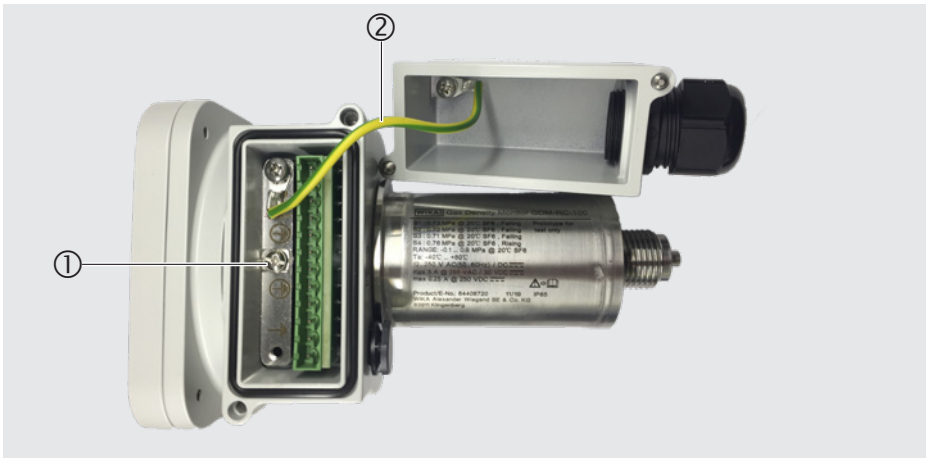
En la selección de los cables de conexión, hay que tener en cuenta los siguientes puntos:

- Se debe seleccionar la sección transversal del conductor correspondiente al dispositivo de seguridad contra sobrecorriente.
- El rango de sellado del prensaestopas suministrado debe ajustarse al diámetro del conductor.
- El rango de temperatura del cable debe corresponder, como mínimo, al rango de temperatura de servicio del instrumento.

→ Para los datos técnicos, véase el capítulo 9 “Datos técnicos”.

### 5.2.2 Puesta a tierra

- Puesta a tierra del instrumento principal a través de la conexión a proceso.
- Fijar el conductor de protección del cable de conexión de los contactos eléctricos al terminal (1) previsto para ello, tal y como se muestra en la siguiente figura.
- No retirar nunca el cable de conexión del conductor de protección (2) entre el instrumento principal y la contraparte del enchufe del cable. De lo contrario, no se puede garantizar la seguridad operacional.



## 5. Puesta en servicio, funcionamiento

### 5.2.3 Bornes de conexión y preparación del cable

Los bornes de conexión son adecuados para los siguientes tipos de conductor simple o secciones transversales:

#### Bornes de conexión y preparación del cable

	Bornes de conexión del conector hembra	Bornes de conexión del conductor de protección
<b>Tipos de conductores simples</b>	<ul style="list-style-type: none"><li>■ Núcleo de alambre sólido</li><li>■ Flexible</li><li>■ Flexible con virola</li></ul>	<ul style="list-style-type: none"><li>■ Núcleo de alambre sólido</li><li>■ Flexible con virola</li></ul>
<b>Longitud del cable</b>	≥ 90 mm	≥ 120 mm
<b>Longitud máxima del extremo del cable pelado</b>	Máx. 5,5 mm	Máx. 8 mm
<b>Número de cables / secciones transversales</b>	1 x 0,5 mm <sup>2</sup> a 1 x 2,5 mm <sup>2</sup>	
<b>Par de apriete recomendado</b>	0,5 Nm	1,2 Nm

ES

### 5.2.4 Contactos eléctricos

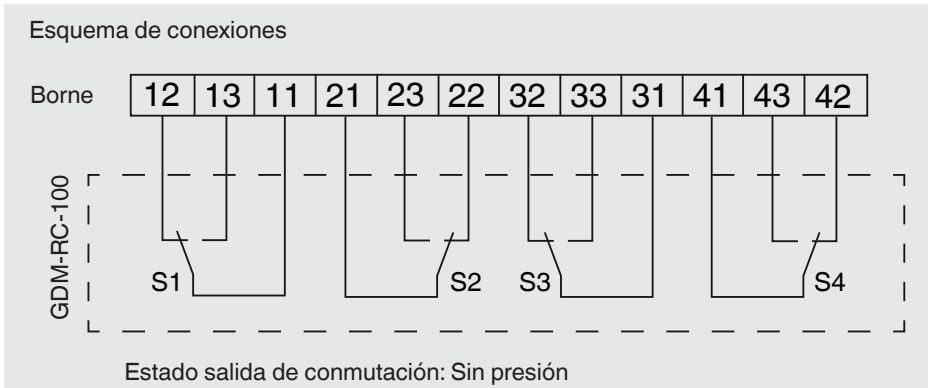
- La posición de los puntos de conmutación y las funciones de conmutación se indican en la placa de identificación.
- La asignación de las distintas funciones de conmutación se indica en una etiqueta pegada al conector de acoplamiento del terminal:

#### Esquema de conexiones

<b>Primer dígito</b>	<ul style="list-style-type: none"><li>■ 1x – Contacto eléctrico S1</li><li>■ 2x – Contacto eléctrico S2</li><li>■ 3x – Contacto eléctrico S3</li><li>■ 4x – Contacto eléctrico S4</li></ul>
<b>Segundo dígito</b>	<ul style="list-style-type: none"><li>■ x1 - Común</li><li>■ x2 – Contacto normalmente cerrado</li><li>■ x3 – Contacto normalmente abierto</li></ul>

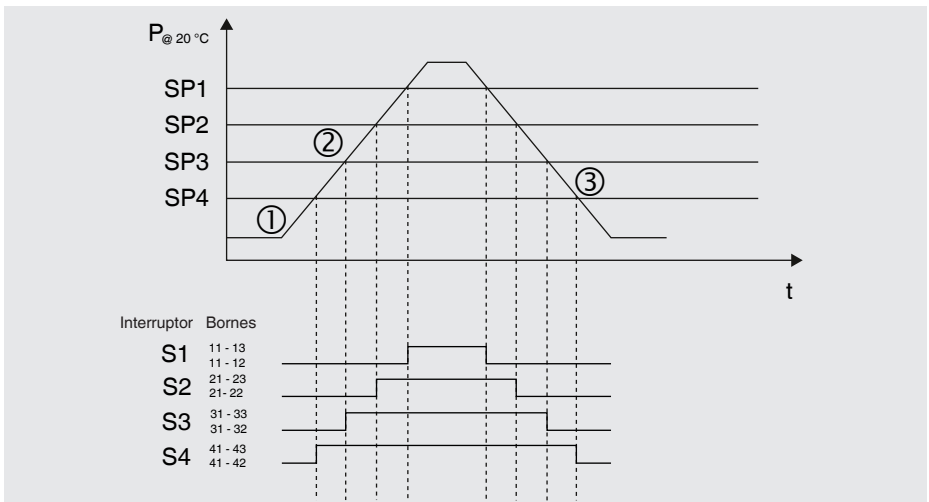
## 5. Puesta en servicio, funcionamiento

### Esquema de conexiones



ES

Diagrama esquemático del comportamiento del interruptor con el aumento o disminución de la densidad del gas a lo largo del tiempo:



El orden real de los puntos de conmutación es específico para cada cliente.

Si el densímetro no está presurizado, los contactos no se accionan mecánicamente. Cuarto punto de conmutación: El pin 41 está conectado al pin 42 (1).

Si el densímetro está presurizado, un rebose del punto de conmutación cambiará el contacto eléctrico de los pines 41-42 a los pines 41-43.

## 5. Puesta en servicio, funcionamiento

El contacto eléctrico no se volverá a cambiar de los pines 41-43 a los pines 41-42 hasta que el valor caiga por debajo del umbral de conmutación.

Hasta cuatro contactos eléctricos permiten cubrir completamente todas las funciones de conmutación deseadas. Dependiendo de los requisitos de la aplicación, se puede cambiar entre cierre descendente, apertura descendente, cierre ascendente o apertura ascendente.

Los contactos eléctricos están ajustados tanto para una densidad decreciente como creciente.

ES



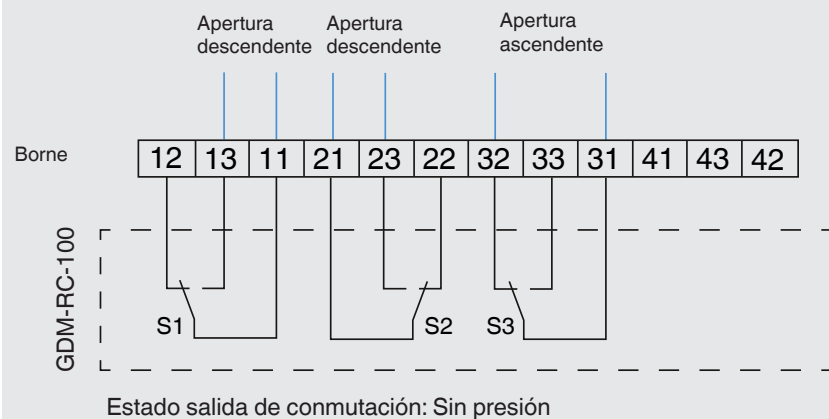
Se recomienda cambiar siempre sólo en la dirección de conmutación ajustada de fábrica, ya que de lo contrario también hay que tener en cuenta la histéresis del contacto eléctrico.

→ Para información detallada sobre la histéresis, véase hoja técnica SP 60.27

### Ejemplos de funciones de conmutación en la aplicación

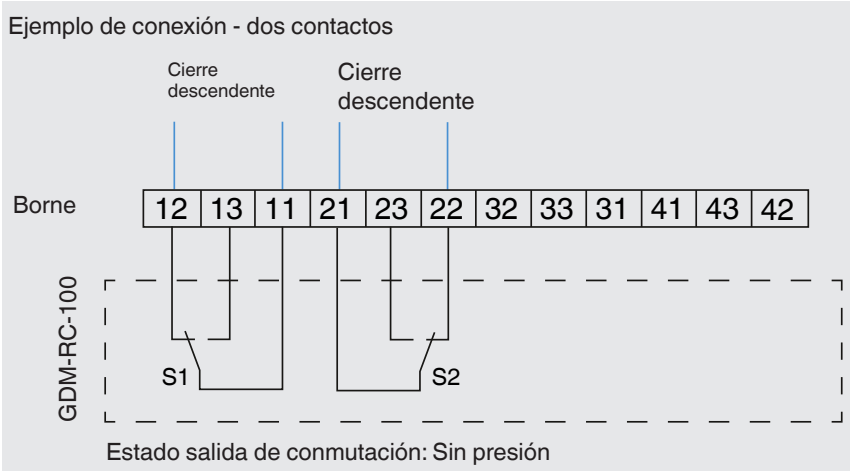
1. Ejemplo con tres contactos normalmente cerrados: Los contactos 1 y 2 deben abrirse cuando el valor cae por debajo del umbral, y el contacto 3 debe abrirse cuando se supera el umbral:

Ejemplo de conexión - tres contactos



## 5. Puesta en servicio, funcionamiento

2. Ejemplo con dos contactos normalmente abiertos: Los contactos 1 y 2 deben cerrarse cuando el valor cae por debajo del umbral:



ES

### 5.2.5 Cerrar el conector hembra

- Asegurarse de que no penetre humedad en las salidas en el extremo del cable.
- Para ello, asegúrese de que el prensaestopas de la cubierta de la caja ensamblada se ajusta al diámetro del cable utilizado y que el prensaestopas esté correctamente asentado.
- Asegúrese de que las juntas estén disponibles e intactas.
- Apriete el prensaestopas con el par de apriete indicado en las especificaciones (→ véase el capítulo 9 “Datos técnicos”) y compruebe que la junta esté correctamente asentada para garantizar el tipo de protección.

### 5.2.6 Valores límite para la carga del contacto con carga resistiva

No sobrepasar los valores límites

Para una conmutación fiable en entornos con bajas tensiones (12 V), la corriente de conmutación no debe ser inferior a 10 mA.

### Dispositivos de seguridad contra sobrecorriente

Los instrumentos no incluyen dispositivos de seguridad contra sobrecorriente. Por tal motivo, deberán utilizarse dispositivos de seguridad contra sobrecorriente junto con el sistema, con los siguientes valores nominales:

- Máx. 5 A (a  $T_a$ : -40 ... +70 °C)
- Máx. 1 A (a  $T_a$ : > 70 ... 80 °C)



Si se utilizan dispositivos de seguridad contra sobrecorriente según la norma EN 60127-2 o equivalente, éstos deben seleccionarse con una capacidad de ruptura alta (por ejemplo, H1500A).

## 5. Puesta en servicio, funcionamiento

### 5.2.7 Medidas de protección del contacto

Los contactos mecánicos, independientemente uno de otro, no deben exceder en ningún momento los valores eléctricos de corriente, tensión de conmutación y potencia de ruptura.

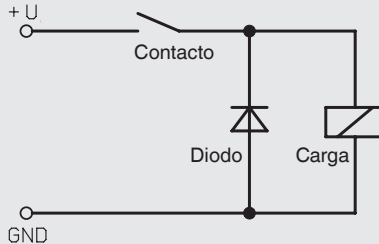
Para cargas capacitivas o inductivas, recomendamos uno de los siguientes circuitos protectores:

#### Carga inductiva sobre tensión continua

Con tensión continua puede garantizarse la protección del contacto por un diodo de rueda libre conmutado en paralelo a la carga. La polaridad del diodo debe seleccionarse de modo que cierra cuando se aplica la tensión de servicio.

ES

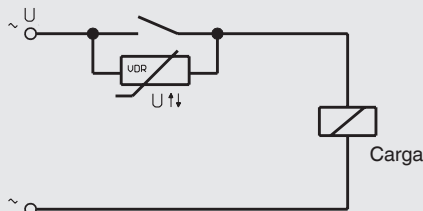
Ejemplo:  
Protección del contacto  
mediante diodo de rueda  
libre



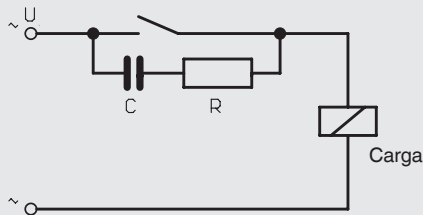
#### Carga inductiva sobre tensión alterante

Con tensión alterna hay dos posibles medidas de protección:

Ejemplo:  
Protección del contacto  
con resistor alineal VDR



Ejemplo:  
Protección del contacto  
con elemento RC



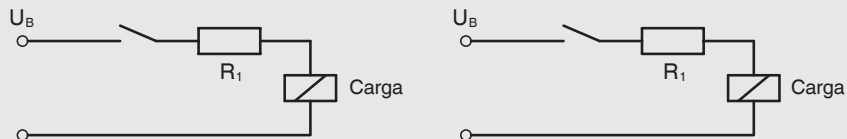


## 5. Puesta en servicio, funcionamiento

### Carga capacitiva

Con cargas capacitivas se producen corrientes de conexión elevadas. Estas pueden reducirse utilizando resistores conectados en serie en la línea de alimentación.

Ejemplos: Protección del contacto con resistor para limitación de corriente



ES

### 5.3 Ajuste del punto de interrupción

Los puntos de conmutación son fijos por defecto y no se pueden ajustar. De este modo se evita el ajuste involuntario de los puntos de conmutación.

## 6. Errores

**¡CUIDADO!****Lesiones corporales, daños materiales y del medio ambiente**

Si con las medidas indicadas no se pueden solucionar los fallos, hay que poner el densímetro fuera de servicio.

- ▶ Asegurar que el dispositivo no queda expuesto a presión o una señal y protegerlo contra usos accidentales.
- ▶ Contactar el fabricante.
- ▶ Si desea devolver el instrumento, observar las indicaciones en el capítulo 9.2 “Devolución”.

ES



Datos de contacto véase el capítulo 1 “Información general” o parte posterior del manual de instrucciones.

Errores	Causas	Medidas
<b>El contacto ya no conmuta según la especificación.</b>	La conexión eléctrica está interrumpida.	Efectuar un control de continuidad de los cables de conexión eléctrica.
	Carga eléctrica inapropiada para el modelo de contacto eléctrico.	Tener en cuenta las cargas eléctricas admisibles del modelo de contacto eléctrico.
	Contacto sucio.	
<b>El estado de interrupción permanece invariado a pesar de alcanzar el punto de conmutación/punto de rearme.</b>	Contactos defectuosos (p. ej. zona de contacto fundida).	Sustituir el instrumento. Antes volver a activar el nuevo instrumento, se debe colocar un circuito protector para el contacto.
<b>Indicador sin movimiento a pesar del cambio de presión.</b>	Mecanismo de medición bloqueado.	Sustituir el instrumento.
<b>Movimiento de la aguja sin presión.</b>	Calentamiento o enfriamiento del instrumento (sin avería)	Temperar la unidad durante 2 horas a 20 °C

En caso de reclamación, deberán indicarse los números de fabricación y de producto. El número de fabricación está impreso en la esfera y el número de producto en la placa de identificación. En caso de reclamaciones, se debe indicar siempre la presión del aire y la temperatura durante la medición, así como los datos del patrón de referencia (tipo, clase).

### 7. Mantenimiento, limpieza y recalibración

#### 7.1 Mantenimiento

Estos densímetros no requieren mantenimiento.

Verificar el instrumento y la función de conmutación una o dos veces al año. Para eso, separar el instrumento de la cámara de gas y verificarlo con un dispositivo de control de presión (p. ej. WIKA BCS-10).

Todas las reparaciones solamente las debe efectuar el fabricante.

Los instrumentos no deben abrirse, ya que esto puede provocar errores en la visualización y en el punto de conmutación.

#### 7.2 Limpieza



##### ¡CUIDADO!

##### Lesiones corporales, daños materiales y del medio ambiente

Una limpieza inadecuada provoca lesiones corporales, daños materiales y del medio ambiente. Medios residuales en el instrumento desmontado pueden causar riesgos para personas, medio ambiente e instalación.

► Realizar el proceso de limpieza tal como se describe a continuación.

1. Antes de proceder con la limpieza hay que separar debidamente el instrumento de cualquier fuente de presión, apagarlo y desenchufarlo de la red.
2. Utilizar el equipo de protección necesario.
3. Limpiar el instrumento con un trapo húmedo.  
¡No poner las conexiones eléctricas en contacto con la humedad!



##### ¡CUIDADO!

##### Daño al dispositivo

¡Una limpieza inadecuada puede dañar el dispositivo!

- No utilizar productos de limpieza agresivos.
- No utilizar objetos duros o puntiagudos para limpiar.

4. Enjuagar y limpiar el aparato desmontado para proteger a las personas y el medio ambiente contra peligros por medios residuales adherentes.



Comentarios sobre el procedimiento de las devoluciones encuentra en el apartado “Servicio” en nuestra página web local.

### 7.3 Calibración

El densímetro puede calibrarse mediante un sistema de calibración especial para instrumentos de medición de densidad de gases (p. ej. WIKA BCS-10).

El densímetro con conexión de prueba y válvula de cierre puede desconectarse de la celda a través de la válvula de cierre, sin desmontarlo. Para los versiones sin conexión de prueba y sin válvula de cierre, el densímetro debe desmontarse correctamente. En este caso, puede ser necesario apagar temporalmente todo el sistema.

#### Calibración del densímetro con conexión de prueba y válvula de cierre (usando el ejemplo del modelo GDM-100-CV)

ES



#### ¡CUIDADO!

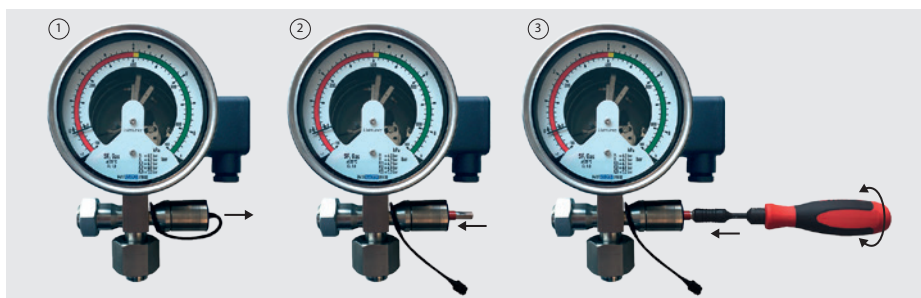
#### Interrupción de la monitorización

Durante la calibración, el densímetro se desconecta de la cámara de gas que se va a supervisar. No puede saltar ninguna alarma en caso de fuga.

► Tras finalizar la calibración se debe volver a abrir la válvula de cierre.

Par de apriete de la válvula de cierre: 1,2 Nm  $\pm$  10 %

Par de apriete de la conexión de prueba: 60 Nm  $\pm$  10 %



1. Extraer el obturador del ajuste de la válvula (1).
2. Introducir la llave de tubo en el ajuste de la válvula (2).
3. Girar el ajuste de la válvula a la posición "CERRAR" con la llave de vaso (3).
  - El inserto de la llave tubular ya no se puede extraer.
  - El densímetro está desconectado de la cámara de gas.
4. Conectar el gas de prueba y el patrón a la conexión de prueba
5. Llevar a cabo la calibración.
6. Separar el gas de prueba y el patrón de la conexión de prueba.
7. Girar el ajuste de la válvula a la posición "ABRIR" con la llave de tubo (3).
  - Ahora se puede extraer el inserto de la llave de vaso
  - El densímetro está conectado a la cámara de gas.

### 8. Desmontaje, devolución y eliminación de residuos

#### 8.1 Desmontaje



##### **¡ADVERTENCIA!**

##### **Lesiones corporales, daños materiales y del medio ambiente causados por productos de descomposición peligrosos**

En caso de contacto con gases o productos de descomposición peligrosos, existe el peligro de lesiones corporales, así como de daños materiales y al medio ambiente.

- ▶ Utilizar el equipo de protección necesario (véase el capítulo 3.6 “Equipo de protección individual”).

ES

#### 8.2 Devolución

##### **Es imprescindible observar lo siguiente para el envío del instrumento:**

Todos los instrumentos enviados a WIKA deben estar libres de sustancias peligrosas (ácidos, lejías, soluciones, etc.) y, por lo tanto, deben limpiarse antes de devolver.

Utilizar el embalaje original o un embalaje adecuado para la devolución del instrumento.

##### **Para evitar daños:**

1. Colocar el instrumento junto con el material aislante en el embalaje.  
Aislar uniformemente todos los lados del embalaje de transporte.
3. Si es posible, adjuntar una bolsa con secante.



Comentarios sobre el procedimiento de las devoluciones encuentra en el apartado “Servicio” en nuestra página web local.

#### 8.3 Eliminación de residuos

Una eliminación incorrecta puede provocar peligros para el medio ambiente.

Eliminar los componentes de los instrumentos y los materiales de embalaje conforme a los reglamentos relativos al tratamiento de residuos y eliminación vigentes en el país de utilización.



No eliminar en las basuras domésticas. Garantizar una eliminación correcta según las prescripciones nacionales.

## 9. Datos técnicos

### Información general

<b>Principio de medición</b>	Medición del gas de referencia
<b>Rango de medición</b>	<ul style="list-style-type: none"> <li>■ 0 ... 10 bar abs. a 20 °C con gas SF<sub>6</sub></li> <li>■ 0 ... 12,5 bar abs. a 20 °C con gas SF<sub>6</sub></li> </ul>
<b>Tamaño nominal de la pantalla óptica</b>	100 mm
<b>Auto-indicación en caso de mal funcionamiento</b>	Integrado en el instrumento, el contacto eléctrico se activa en caso de fuga en la cámara de referencia
<b>Placa de identificación</b>	Grabada con láser en la cámara de referencia, máxima resistencia a la intemperie
<b>Accesorios</b>	Véase el modelo GLTC-CV

### Exactitud

#### Precisión de conmutación

-1 ... +5 bar a 20 °C	<ul style="list-style-type: none"> <li>■ ±70 mbar a la presión de calibración a 20 °C, en fase gaseosa</li> <li>■ ±100 mbar a la presión de calibración a -30 ... +50 °C, en fase gaseosa</li> </ul>
-1 ... +9 bar a 20 °C	<ul style="list-style-type: none"> <li>■ ±100 mbar a la presión de calibración a 20 °C, en fase gaseosa</li> <li>■ ±150 mbar a la presión de calibración a -30 ... +50 °C, en fase gaseosa</li> </ul>
-1 ... +11,5 bar a 20 °C	<ul style="list-style-type: none"> <li>■ ±150 mbar a la presión de calibración a 20 °C, en fase gaseosa</li> <li>■ ±200 mbar a la presión de calibración a -30 ... +50 °C, en fase gaseosa</li> </ul>

#### Exactitud de indicación en escala numerada

-1 ... +5 bar a 20 °C	<ul style="list-style-type: none"> <li>■ ±70 mbar a la presión de calibración a 20 °C, en fase gaseosa</li> <li>■ ±100 mbar a la presión de calibración a -30 ... +50 °C, en fase gaseosa</li> </ul>
-1 ... +9 bar a 20 °C	<ul style="list-style-type: none"> <li>■ ±100 mbar a la presión de calibración a 20 °C, en fase gaseosa</li> <li>■ ±150 mbar a la presión de calibración a -30 ... +50 °C, en fase gaseosa</li> </ul>
-1 ... +11,5 bar a 20 °C	<ul style="list-style-type: none"> <li>■ ±150 mbar a la presión de calibración a 20 °C, en fase gaseosa</li> <li>■ ±200 mbar a la presión de calibración a -30 ... +50 °C, en fase gaseosa</li> </ul>
La presión de calibración está establecida según transformación isócara de referencia, por el Prof. Bier	

## 9. Datos técnicos

Esfera	
<b>Rango de indicación en la esfera</b>	<ul style="list-style-type: none"> <li>■ Fin del rango de medición: 1,3 bar por encima del primer punto de conmutación por debajo de la presión de llenado</li> <li>■ Numeración: Termina en 900 mbar por encima del primer punto de conmutación por debajo de la presión de llenado</li> </ul>
	Rango de medición ampliado (al menos 4 bar por debajo y 1,3 bar por encima del primer punto de conmutación)
<b>Escala</b>	<ul style="list-style-type: none"> <li>■ Escala única (dividida en secciones de diferentes colores)</li> <li>■ Escala doble (dividida en secciones de diferentes colores)</li> <li>■ Escala triple (dividida en secciones de diferentes colores)</li> </ul>
<b>Material</b>	Aluminio

ES

Contactos eléctricos			
<b>Modelo de interruptor</b>	Contactos inversores libres de potencial		
<b>Conexión eléctrica</b>			
Conexión eléctrica	Regleta de bornes TTI de 12 pines		
Sección de hilo	<ul style="list-style-type: none"> <li>■ min. 0,25 mm<sup>2</sup></li> <li>■ máx. 2,5 mm<sup>2</sup></li> </ul>		
Puesta a tierra	Dispone de una toma de tierra en el conector hembra		
<b>Cantidad</b>	<ul style="list-style-type: none"> <li>■ 1 contacto eléctrico</li> <li>■ 2 contactos eléctricos</li> <li>■ 3 contactos eléctricos</li> <li>■ 4 contactos eléctricos</li> </ul> Hasta 4 contactos eléctricos posibles como contacto de conmutación		
<b>Sentidos de conmutación</b>	<ul style="list-style-type: none"> <li>■ Densidad descendente</li> <li>■ Densidad ascendente</li> </ul>		
<b>Puntos de conmutación</b>	De acuerdo con la especificación del cliente, la diferencia máxima de contacto de menor a mayor: 4 bar		
<b>Características eléctricas</b>	<b>Tensión de conmutación</b>	<b>Carga resistiva A</b>	<b>Carga inductiva A</b>
	≤ DC 30 V	5 <sup>1)</sup>	3 <sup>1)</sup>
	≤ DC 50 V	1	1
	≤ DC 75 V	0,75	0,75
	≤ DC 125 V	0,5	0,03
	≤ DC 250 V	0,25	0,03
	≤ AC 125 V	5 <sup>1)</sup>	2 <sup>1)</sup>
	≤ AC 250 V	5 <sup>1)</sup>	2 <sup>1)</sup>

## 9. Datos técnicos

### Contactos eléctricos

<b>Tensión y corriente mínimos de conmutación</b>	12 V, 10 mA	
<b>Presión de calibración</b>	Primer punto de conmutación por debajo de la presión de llenado	
<b>Función de conmutación</b>	Inversor	
<b>Circuitos eléctricos</b>	Separados galvánicamente	
<b>Número máximo de ciclos</b>	10.000 mecánicos y eléctricos	
<b>Contacto de resistencia de aislamiento</b>	> 100 MOhm	
<b>Histéresis de conmutación</b>	<b>Rango de medición</b>	Nivel de histéresis
	-1 ... +5 bar a 20 °C	Típicamente < 90 mbar <sup>2)</sup>
	-1 ... +7,5 bar a 20 °C	Típicamente < 150 mbar <sup>2)</sup>
	-1 ... +11,5 bar a 20 °C	Típicamente < 220 mbar <sup>2)</sup>
Histéresis del interruptor inferior a petición		

- 1) Sólo hasta 70 °C de temperatura ambiente.  
A 70 ... 80 °C de temperatura ambiente, los contactos deben funcionar con un máximo de 1 A.
- 2) De acuerdo con BS 6134:1991, la tasa de cambio de presión es del 1% del valor final por segundo.

### Condiciones ambientales admisibles

<b>Temperatura ambiente admisible</b>	
Temperatura de servicio	-40 ... +80 °C [-40 ... +176 °F], fase gaseosa
Temperatura de almacenamiento	-50 ... +80 °C [-58 ... 176 °F]
<b>Tipo de protección</b>	IP65, IP67
<b>Humedad atmosférica admisible</b>	≤ 95 % h. r. (sin condensación) Diafragma de compensación contra la condensación
<b>Resistencia a choques</b>	<ul style="list-style-type: none"> <li>■ 50 g/11 ms: sin rebotes de contacto a una distancia de 200 mbar del punto de conmutación</li> <li>■ 150 g: sin daños en todos los ejes y direcciones</li> </ul>
<b>Resistencia a la vibración</b>	■ 4 g a una distancia de 50 mbar del punto de conmutación, sin rebotes de contacto (20 ... 100 Hz)

### Pruebas EMC

<b>Resistencia a descargas disruptivas</b>	<ul style="list-style-type: none"> <li>■ Pin de 2 kV en la conexión a tierra (caja)</li> <li>■ Pin a pin de 2 kV (contacto eléctrico a contacto eléctrico)</li> <li>■ Pin sobre pin de 1 kV dentro de los contactos eléctricos - 1 minuto</li> </ul>
<b>Protección contra rayos</b>	7 kV x 1.2/50 µs

ES



## 9. Datos técnicos

### Estanqueidad

<b>Conexión a proceso</b>	$\leq 1 \times 10^{-8}$ mbar x l/s
<b>Sellado con fuelle</b>	$\leq 1 \times 10^{-8}$ mbar x l/s

### Materiales

#### Materiales en contacto con el medio

Cámara de referencia (elemento de presión)	Acero inoxidable, llenado con gas de referencia
Conexión a proceso	G ½ B según EN 837, axial o radial, acero inoxidable, llave plana de 22 mm
	Otras conexiones y posiciones de conexión a consultar

#### Materiales sin contacto con el medio

Caja y cubierta	Aluminio fundido a presión con recubrimiento de polvo
Prensaestopa M25 x 1,5	Plástico, rango de sellado 5 ... 13 mm; (opcional 8 ... 17 mm) Par de apriete: 8 Nm
Mecanismo	Latón
Aguja	Aluminio, negro
Mirilla	Vidrio laminado de seguridad
Esfera	Aluminio

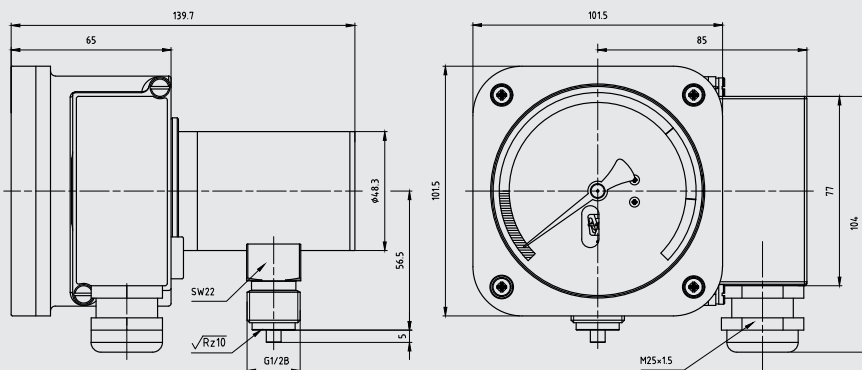
#### Carga máxima

Resistencia mínima al estallido	> 36 bar
Sobrepresión máxima	1,43 veces el rango de medición
Peso	< 1.250 g

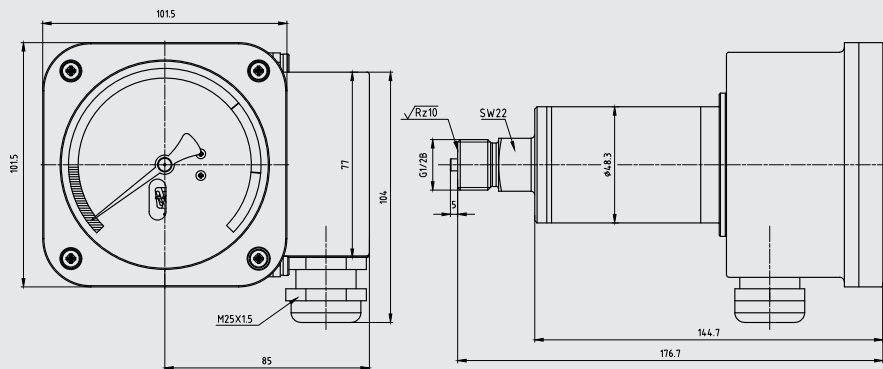
Para consultar más datos técnicos véase hoja técnica de WIKA SP 60.27 y la documentación de pedido.

## Dimensiones en mm

### Versión vertical



### Versión dorsal



ES



WIKA subsidiaries worldwide can be found online at [www.wika.com](http://www.wika.com).  
WIKA Niederlassungen weltweit finden Sie online unter [www.wika.de](http://www.wika.de).  
La liste des filiales WIKA dans le monde se trouve sur [www.wika.fr](http://www.wika.fr).  
Sucursales WIKA en todo el mundo puede encontrar en [www.wika.es](http://www.wika.es).



**WIKA Alexander Wiegand SE & Co. KG**

Alexander-Wiegand-Strasse 30

63911 Klingenberg • Germany

Tel. +49 9372 132-0

Fax +49 9372 132-406

[info@wika.de](mailto:info@wika.de)

[www.wika.de](http://www.wika.de)